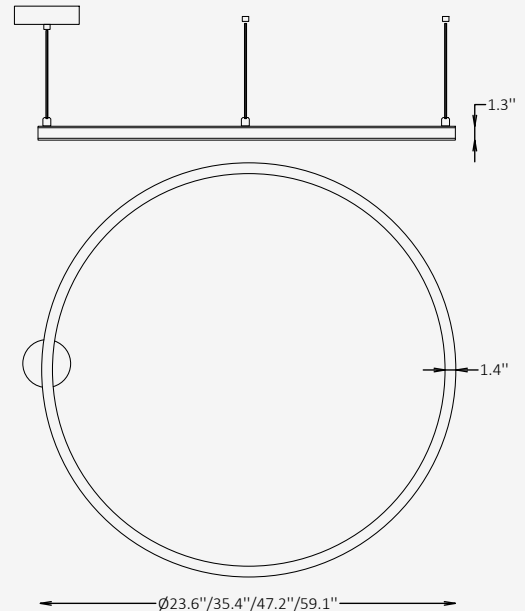




GENERAL INFORMATION

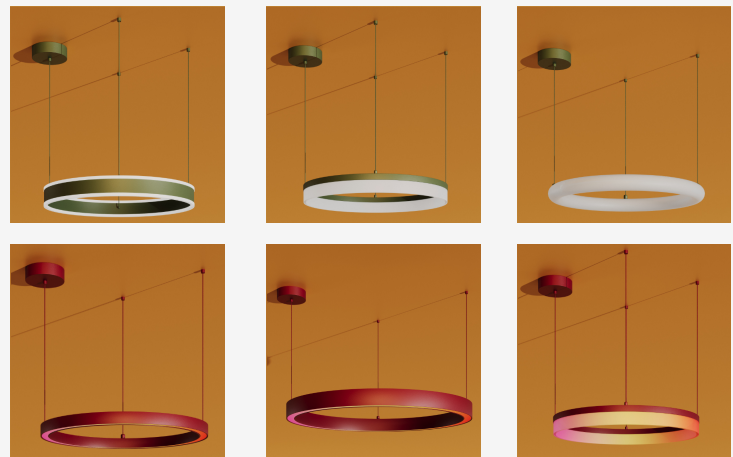
The Orbita Trace Circle pendant combines minimalist form with focused lighting performance. Designed with a slim aluminum profile and high-efficiency LED technology, this fixture delivers Beam In illumination, directing light inward to create a controlled, intimate glow with reduced glare. Ideal for contemporary residential and commercial interiors, it enhances spatial definition while maintaining visual comfort. Available in multiple diameters and finishes, the Orbita Trace Circle offers flexible design integration with a clean architectural presence and refined aesthetic.



SPECIFICATIONS

Material	Aluminum
Lens	Polycarbonate
Diameter	23.6" / 35.4" / 47.2" / 59.1"
Profile Height	1.3"
Profile Width	1.4"
Input Voltage	110-277V, 50-60 Hz
Light Source Type	LED
Power	32W / 40W / 70W / 80W
LED Output	70 lm/W
CCT	3000K / 3500K / 4000K
CRI	90
Dimming & Driver	Integral, 0-10V
Light Distribution	Beam In
IP Rating	IP 20
Warranty	5 years
Finishes	Satin White / Satin Black / RAL finishes

OTHER VERSIONS AVAILABLE



CERTIFICATION



Ordering Information

Select one item from each category below. If your desired option is unavailable, please contact our team for support or custom solutions.

Code	Diameter Ø / Wattage / Lumens	CCT	Light Distribution
<input checked="" type="checkbox"/> OTR Circle / Pendant	<input type="checkbox"/> 23 23.6" / 32 W / 2240 lm	<input type="checkbox"/> 30 3000K	<input checked="" type="checkbox"/> BN Beam In
	<input type="checkbox"/> 35 35.4" / 40 W / 2800 lm	<input type="checkbox"/> 35 3500K	
	<input type="checkbox"/> 47 47.2" / 70 W / 4900 lm	<input type="checkbox"/> 40 4000K	
	<input type="checkbox"/> 59 59.1" / 80 W / 5600 lm		
Dimming	CRI	Profile Finish Option	Canopy Finish Option
<input type="checkbox"/> NN Non-Dimmable	<input checked="" type="checkbox"/> CR9 90	<input type="checkbox"/> SW Satin White	<input type="checkbox"/> WH White
<input type="checkbox"/> DM 0-10V		<input type="checkbox"/> SB Satin Black	<input type="checkbox"/> BL Black
		<input type="checkbox"/> RAL RAL Finishes	<input type="checkbox"/> RAL RAL Finishes
Cord Finish Option	Mounting	Cord Length	
<input type="checkbox"/> SVW White	<input type="checkbox"/> CT Central Canopy Suspension	<input type="checkbox"/> L6 59" (adjustable)	
<input type="checkbox"/> SVB Black	<input type="checkbox"/> MO Multi-Point Suspension	<input type="checkbox"/> Cus Custom on request	

Finishes

Standard finishes



RAL finishes



Cord finishes



RAL K7 CLASSIC COLORS
(80-95% GLOSS): RAL_ _ _ _

All RAL Classic colors are available.

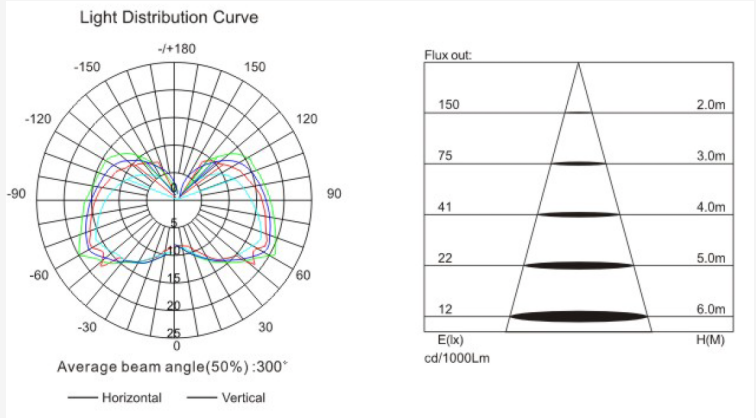
On your specification submittal, choose your RAL color by entering the 4-digit RAL code (e.g., RAL 3003).



Project

Notes

Photometric Data



DBI
MILK