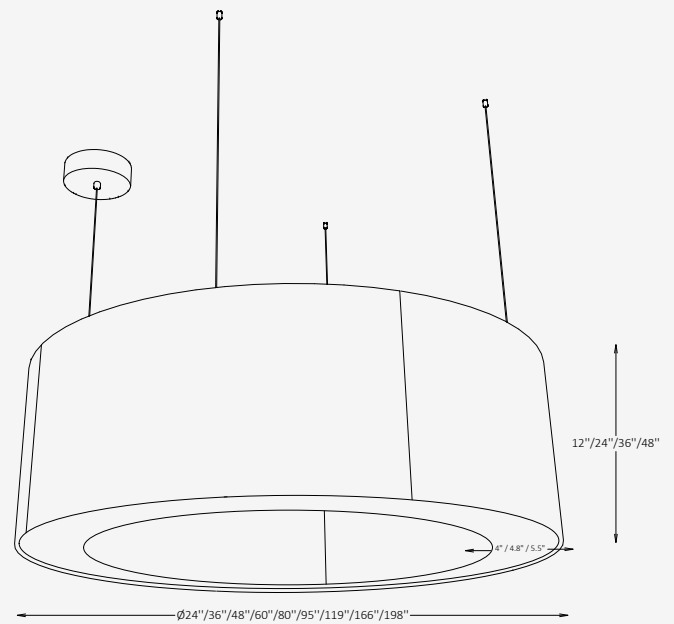




## GENERAL INFORMATION

The Ronde acoustic pendant combines architectural lighting performance with advanced sound-absorbing functionality. Crafted from 100% PET felt and finished with a refined aluminum structure, it provides balanced illumination and improved acoustic comfort in open spaces. Designed for offices, hospitality, and communal areas, Ronde delivers soft, even light with 120° direct distribution while reducing ambient noise. Available in 38 acoustic fiber finishes to harmonize lighting and interior design aesthetics.



## SPECIFICATIONS

Material	Aluminum, 100% P.E.T. Felt
Lens	Polycarbonate
Diameter	24.4" / 36.2" / 48" / 59" / 79" / 95" / 119" / 166" / 197"
Profile Width	4" / 4.8" / 5.5"
Profile Height	12" / 24" / 36" / 48"
Input Voltage	110-277V, 50-60 Hz
Light Source Type	LED
Power	40W / 50W / 80W / 100W / 120W / 160W / 200W / 300W / 400W
LED Output	85 lm/W
CCT	3000K / 3500K / 4000K
CRI	90
Dimming & Driver	Integral, 0-10V
Light Distribution	120° (Direct)
Appliance Class	I
IP Rating	IP 20
Finishes	38 acoustic fiber finishes
Warranty	5 years

## OTHER VERSIONS AVAILABLE



## CERTIFICATION

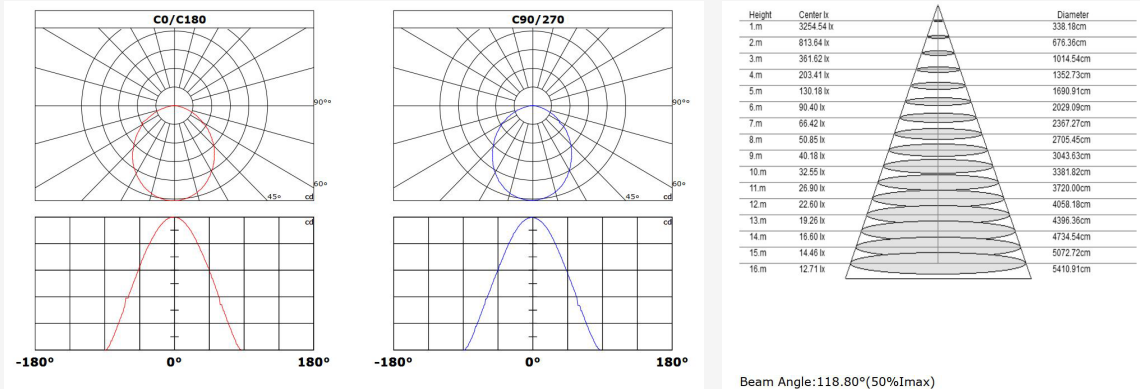


## Ordering Information

Select one item from each category below. If your desired option is unavailable, please contact our team for support or custom solutions.

Code	Diameter / Wattage / Lumens		Profile Height
<input checked="" type="checkbox"/> <b>RND</b> Acoustic / Pendant	<input type="checkbox"/> <b>34</b> 24.4" / 40 W / 3400 lm	<input type="checkbox"/> <b>136</b> 95.3" / 160 W / 13,600 lm	<input type="checkbox"/> <b>12</b> 12"
	<input type="checkbox"/> <b>42</b> 36.2" / 50 W / 4250 lm	<input type="checkbox"/> <b>170</b> 119" / 200 W / 17,000 lm	<input type="checkbox"/> <b>24</b> 24"
	<input type="checkbox"/> <b>68</b> 48.0" / 80 W / 6800 lm	<input type="checkbox"/> <b>255</b> 166" / 300 W / 25,500 lm	<input type="checkbox"/> <b>36</b> 36"
	<input type="checkbox"/> <b>85</b> 60" / 100 W / 8500 lm	<input type="checkbox"/> <b>340</b> 197.6" / 400 W / 34,000 lm	<input type="checkbox"/> <b>48</b> 48"
	<input type="checkbox"/> <b>102</b> 79.5" / 120 W / 10,200 lm		
Profile Width	CCT	Dimming	Acoustic Fiber Finish Option
<input type="checkbox"/> <b>4</b> 4"	<input type="checkbox"/> <b>30</b> 3000K	<input type="checkbox"/> <b>NN</b> Non-Dimmable	<input type="checkbox"/> <b>AF</b> Acoustic fibers
<input type="checkbox"/> <b>5</b> 4.8"	<input type="checkbox"/> <b>35</b> 3500K	<input type="checkbox"/> <b>DM</b> 0-10V	
<input type="checkbox"/> <b>6</b> 5.5"	<input type="checkbox"/> <b>40</b> 4000K		
Canopy Finish Option	Canopy Finish Option	Cord Length	
<input type="checkbox"/> <b>ST</b> Standard	<input type="checkbox"/> <b>SVW</b> White	<input type="checkbox"/> <b>L11</b> 118" (adjustable)	
	<input type="checkbox"/> <b>SVB</b> Black	<input type="checkbox"/> <b>Cus</b> Custom on request	
	<input type="checkbox"/> <b>SVT</b> Transparent		

## Photometric Data



Project

Notes

# Finishes

## Acoustic fiber finishes



## Standard finishes



## Cord finishes



DBI  
MILK

**RAL K7 CLASSIC COLORS (80-95% GLOSS):** RAL\_ \_ \_ \_

All RAL Classic colors are available with no setup fee.

On your specification submittal, choose your RAL color by entering the 4-digit RAL code (e.g., RAL 3003).

