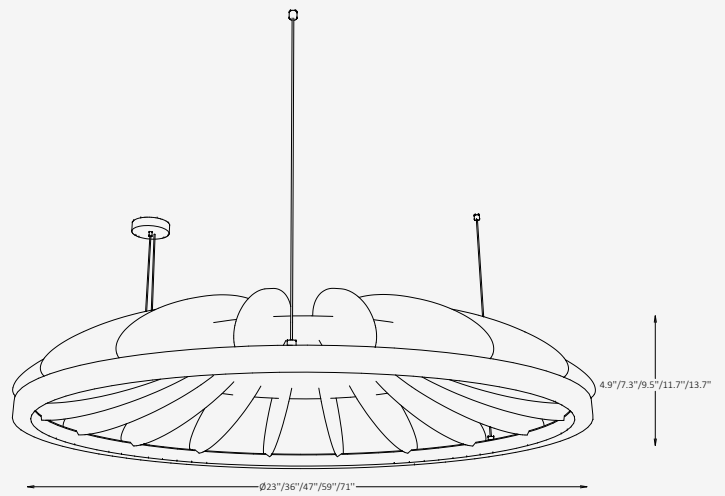




GENERAL INFORMATION

The VENTARA is an acoustic pendant that pairs a sculptural open-ring design with high-performance felt, delivering both refined illumination and effective sound absorption for modern hospitality, workplace, and residential interiors. Offered in multiple sizes, outputs, and finishes, it provides a versatile solution that enhances visual comfort and acoustic quality in any space.



SPECIFICATIONS

Material	Aluminum, 100% P.E.T. Felt
Lens	Polycarbonate
Diameter	23" / 36" / 47" / 59" / 71"
Height	4.9" / 7.3" / 9.5" / 11.7" / 13.7"
Input Voltage	110-277V, 50-60 Hz
Light Source Type	LED
Power	40W / 50W / 80W / 100W
LED Output	70 lm/W
CCT	3000K / 3500K / 4000K
CRI	90
Dimming & Driver	Integral, 0-10V
Light Distribution	Beam In / Beam Out
IP Rating	IP 20
Finishes	38 acoustic fiber finishes
Warranty	5 years

OTHER VERSIONS AVAILABLE



CERTIFICATION



Project

Notes

Ordering Information

Select one item from each category below. If your desired option is unavailable, please contact our team for support or custom solutions.

Code	Diameter Ø / Height // Wattage / Lumens		CCT
<input checked="" type="checkbox"/> VTR Acoustic / Pendant	<input type="checkbox"/> 23 23" / 4.9" / 32 W / 2240 lm	<input type="checkbox"/> 59 59" / 11.7" / 80 W / 5600 lm	<input type="checkbox"/> 30 3000K
	<input type="checkbox"/> 36 36" / 7.3" / 40 W / 2800 lm	<input type="checkbox"/> 71 71" / 13.7" / 100 W / 7000 lm	<input type="checkbox"/> 35 3500K
	<input type="checkbox"/> 47 47" / 9.5" / 70 W / 4900 lm		<input type="checkbox"/> 40 4000K
Light Distribution	Dimming	Profile Finish Option	Acoustic Fiber Finish Option
<input type="checkbox"/> BN Beam In	<input type="checkbox"/> NN Non-Dimmable	<input type="checkbox"/> ST Standard	<input type="checkbox"/> AF Acoustic fibers
<input type="checkbox"/> BO Beam Out	<input type="checkbox"/> DM 0-10V	<input type="checkbox"/> Cus Custom on request	
Canopy Finish Option	Cord Length	Cord Finish Option	Mounting
<input type="checkbox"/> ST Standard	<input type="checkbox"/> L5 59" (adjustable)	<input type="checkbox"/> SVW White	<input type="checkbox"/> CT Central Canopy Suspension
<input type="checkbox"/> Cus Custom on request	<input type="checkbox"/> Cus Custom on request	<input type="checkbox"/> SVB Black	<input type="checkbox"/> MO Multi-Point Suspension
		<input type="checkbox"/> SVT Transparent	

Project

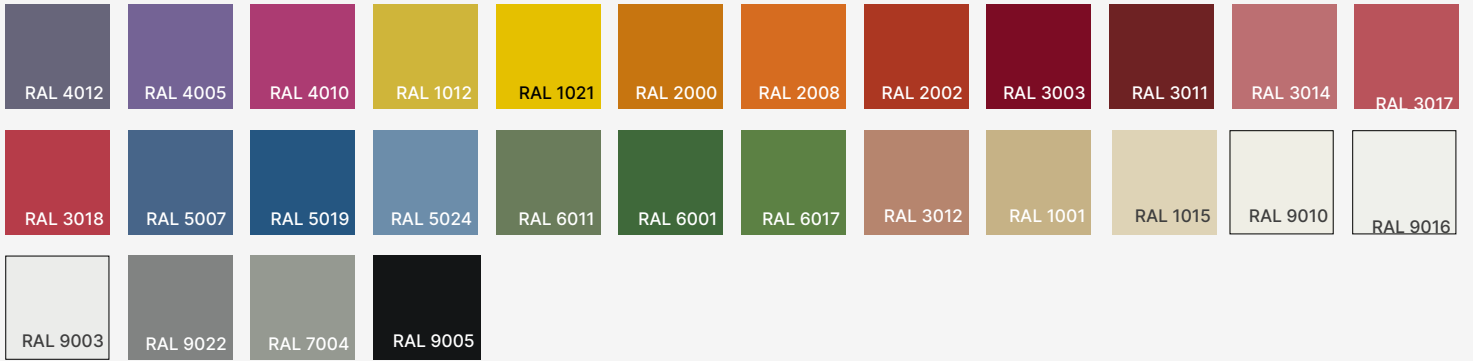
Notes

Finishes

Acoustic fiber finishes



Standard finishes



Cord finishes



RAL K7 CLASSIC COLORS (80-95% GLOSS): RAL_ _ _ _

All RAL Classic colors are available with no setup fee.

On your specification submittal, choose your RAL color by entering the 4-digit RAL code (e.g., RAL 3003).

