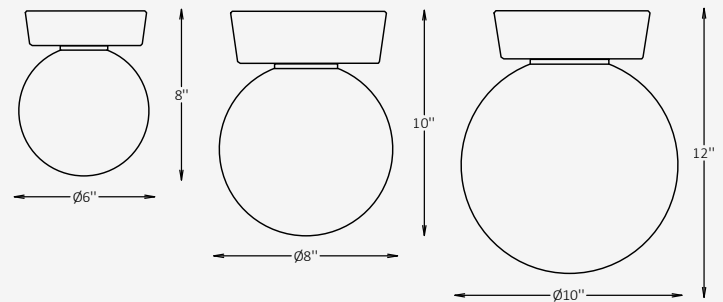




GENERAL INFORMATION

The LUMO ceiling fixture combines timeless geometry with a soft, diffused glow, making it a versatile choice for both residential and commercial interiors. Featuring a hand-blown glass globe and precision-crafted aluminum body, LUMO delivers even 360° omnidirectional illumination that enhances ambient lighting. Available with integrated LED or E26 lamp options, it supports multiple CCT configurations and dimming for design flexibility. With a wide selection of RAL, wood-effect, and metallic finishes, LUMO adapts seamlessly to any design concept while maintaining durability and visual comfort.



SPECIFICATIONS

| | |
|--------------------|---|
| Material | Aluminum |
| Diffuser | Glass |
| Diameter | 6" / 8" / 10" |
| Height | 8" / 10" / 12" |
| Input Voltage | 110-277V, 50-60 Hz |
| Light Source Type | LED / E26 (bulb not included) |
| LED Power | 15W / 20W / 25W / (1 x max. 60W) |
| LED Output | 120 lm/W (available for LED model*) |
| CCT | 2700K / 3000K / 4000K (available for LED model*) |
| CRI | 90 (available for LED model*) |
| Dimming & Driver | Integral, 0-10V (available for LED model*) |
| Light Distribution | 360° (Omnidirectional / Diffused) |
| IP Rating | IP 20 |
| Warranty | 5 years |
| Finishes | 27 RAL finishes 8 wood-effect finishes 12 metallic finishes Custom on request* |

OTHER VERSIONS AVAILABLE



CERTIFICATION



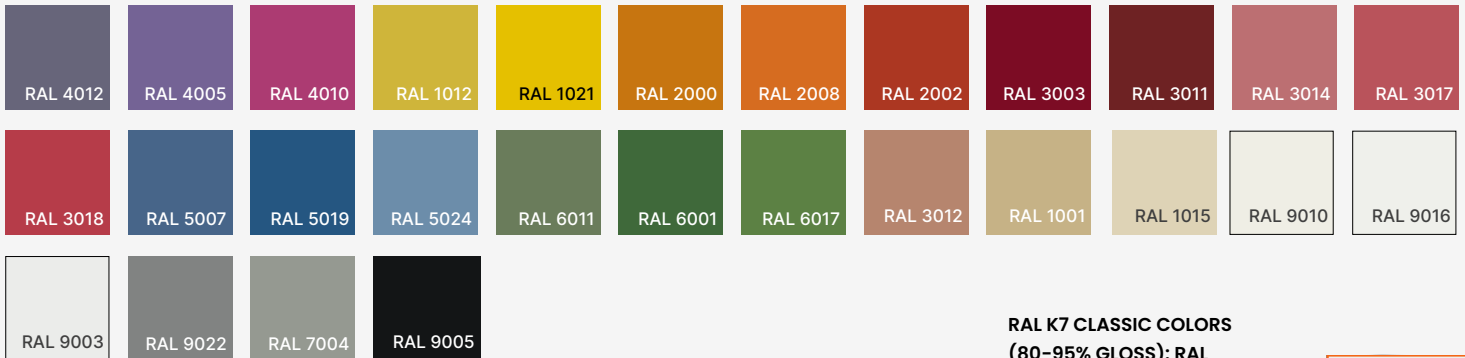
Ordering Information

Select one item from each category below. If your desired option is unavailable, please contact our team for support or custom solutions.

| Code | Diameter Ø / Height | Light Source | Wattage / Lumens |
|---|--|---|--|
| <input checked="" type="checkbox"/> LMU Ceiling | <input type="checkbox"/> 6 6" / 8" <input type="checkbox"/> 8 8" / 10" <input type="checkbox"/> 10 10" / 12" <input type="checkbox"/> Cus Custom on request | <input type="checkbox"/> LED LED <input type="checkbox"/> E26 E26 / 1 x max. 60W <input type="checkbox"/> Cus Custom on request | <input type="checkbox"/> 18 15 W / 1800 lm <input type="checkbox"/> 24 20 W / 2400 lm <input type="checkbox"/> 30 25 W / 3000 lm <input type="checkbox"/> Cus Custom on request <small>*available only for LED version</small> |
| CCT | Dimming | Canopy Finish Option | |
| <input type="checkbox"/> 27 2700K <input type="checkbox"/> 30 3000K <input type="checkbox"/> 40 4000K <input type="checkbox"/> Cus Custom on request <small>*available only for LED version</small> | <input type="checkbox"/> NN Non-Dimmable <input type="checkbox"/> DM 0-10V <small>*available only for LED version</small> | <input type="checkbox"/> ST Standard <input type="checkbox"/> WE Wood effect <input type="checkbox"/> MC Metallic <input type="checkbox"/> Cus Custom on request | |

Finishes

Standard finishes



**RAL K7 CLASSIC COLORS
(80-95% GLOSS): RAL_ _ _ _**

All RAL Classic colors are available with no setup fee.

On your specification submittal, choose your RAL color by entering the 4-digit RAL code (e.g., RAL 3003).



Wood-effect finishes



Metallic finishes

