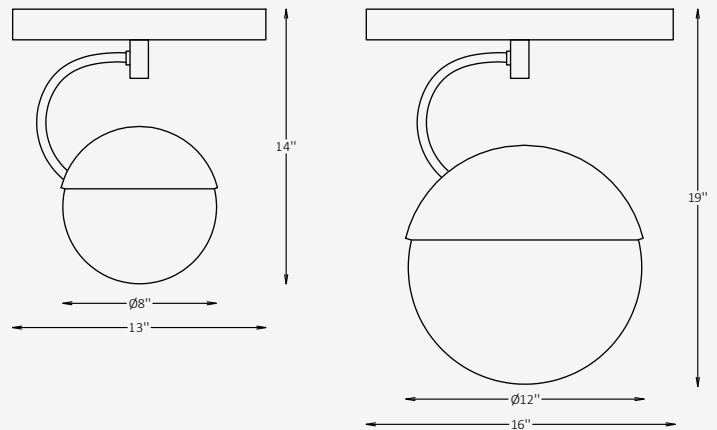




GENERAL INFORMATION

The ARCO ceiling fixture is defined by its graceful arc form and refined balance of metal and glass. Its minimalist yet sculptural design allows it to function as both a decorative element and a practical source of light, casting a soft, diffused glow that enhances comfort in any interior. Designed with versatility in mind, ARCO is ideal for residential, hospitality, or commercial applications where elegance and performance meet. Available in multiple finishes, it adapts seamlessly to a wide range of styles and design concepts.



SPECIFICATIONS

Material	Aluminum
Diffuser	Glass
Diameter	8" / 12"
Height	14" / 19"
Input Voltage	110-277V, 50-60 Hz
Light Source Type	LED / E26
LED Power	15W / 20W / 25W / 1 x max. 60W)
LED Output	120 lm/W (available for LED model*)
CCT	2700K / 3000K / 4000K (available for LED model*)
CRI	90 (available for LED model*)
Dimming & Driver	Integral, 0-10V (available for LED model*)
Light Distribution	Symmetrical / Ambient Diffused
IP Rating	IP 20
Warranty	5 years
Finishes	27 RAL finishes 8 wood-effect finishes 12 metallic finishes Custom on request*

OTHER VERSIONS AVAILABLE



CERTIFICATION



Project

Notes

Ordering Information

Select one item from each category below. If your desired option is unavailable, please contact our team for support or custom solutions.

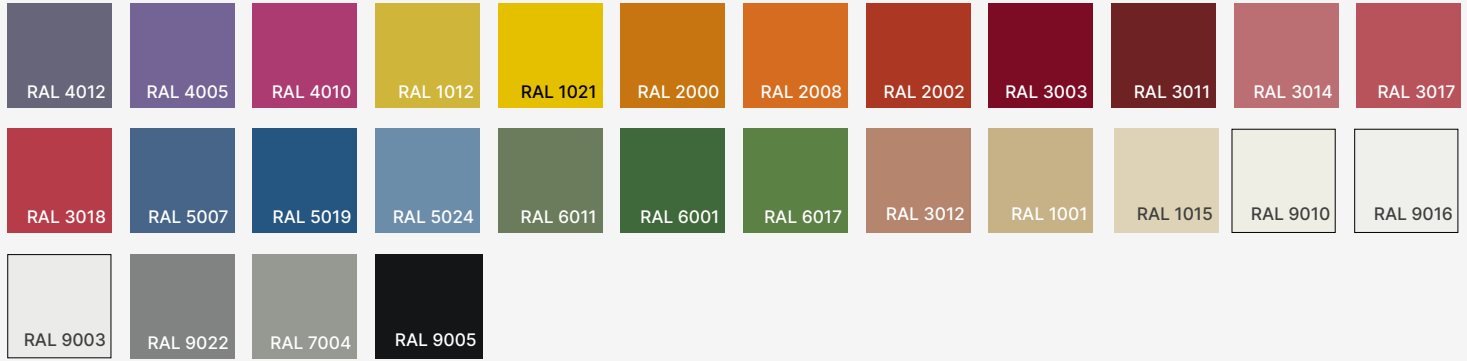
Code	Diameter Ø / Height	Light Source	Wattage / Lumens
<input checked="" type="checkbox"/> ARC Ceiling	<input type="checkbox"/> 8 8" / 14" <input type="checkbox"/> 12 12" / 19" <input type="checkbox"/> Cus Custom on request	<input type="checkbox"/> LED LED <input type="checkbox"/> E26 E26 / 1 x max. 60W <input type="checkbox"/> Cus Custom on request	<input type="checkbox"/> 15 15 W / 1800 lm <input type="checkbox"/> 20 20 W / 2400 lm <input type="checkbox"/> 25 25 W / 3000 lm <input type="checkbox"/> Cus Custom on request <small>*available only for LED version</small>
CCT	Dimming	Canopy Finish Options	Cover Finish Options
<input type="checkbox"/> 27 2700K <input type="checkbox"/> 30 3000K <input type="checkbox"/> 40 4000K <input type="checkbox"/> Cus Custom on request <small>*available only for LED version</small>	<input type="checkbox"/> NN Non-Dimmable <input type="checkbox"/> DM 0-10V <small>*available only for LED version</small>	<input type="checkbox"/> ST Standard <input type="checkbox"/> WE Wood effect <input type="checkbox"/> MC Metallic <input type="checkbox"/> Cus Custom on request	<input type="checkbox"/> ST Standard <input type="checkbox"/> WE Wood effect <input type="checkbox"/> MC Metallic <input type="checkbox"/> Cus Custom on request
Arm Finish Options			
<input type="checkbox"/> ST Standard <input type="checkbox"/> WE Wood effect <input type="checkbox"/> MC Metallic <input type="checkbox"/> Cus Custom on request			

Project

Notes

Finishes

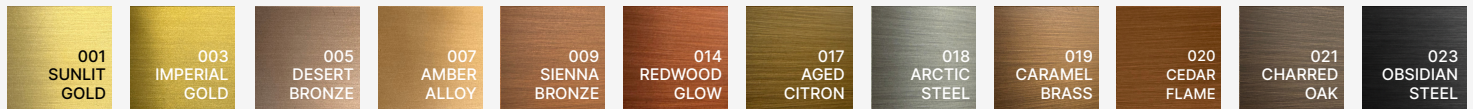
Standard finishes



Wood-effect finishes



Metallic finishes



RAL K7 CLASSIC COLORS (80-95% GLOSS): RAL_ _ _ _

All RAL Classic colors are available with no setup fee.

On your specification submittal, choose your RAL color by entering the 4-digit RAL code (e.g., RAL 3003).

