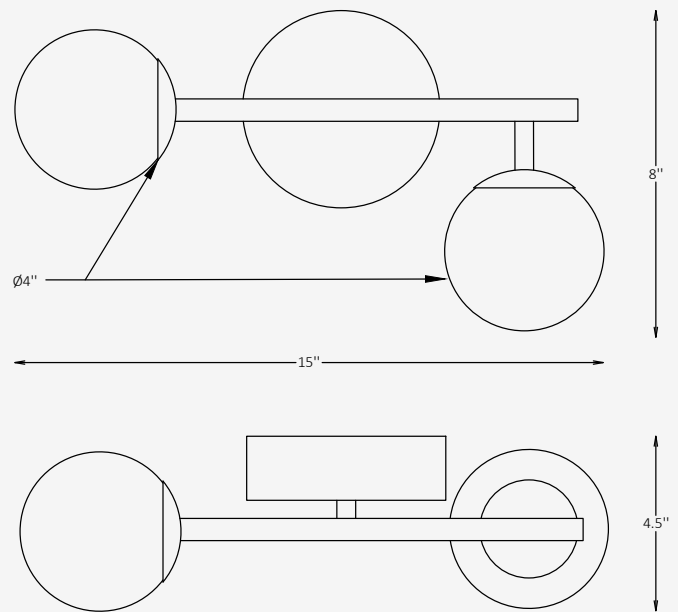




GENERAL INFORMATION

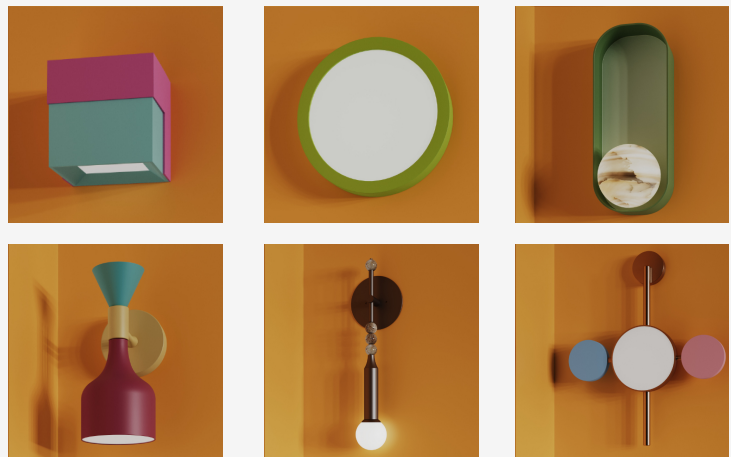
The BISCA is a modern wall-mounted sconce that merges clean geometric composition with soft, 360° diffused illumination, using its paired orb-and-bar silhouette to deliver both decorative presence and functional ambient light. Crafted from glass and aluminum with carefully balanced proportions, it offers multiple finishes and color temperatures —making it a versatile accent for hospitality, residential, and commercial interiors seeking a playful yet sophisticated lighting detail.



SPECIFICATIONS

Material	Glass + Aluminum
Sphere diameters	4"
Height	8"
Depth	4.5"
Input Voltage	110-277V, 50-60 Hz
Light Source Type	LED
Power	2 x 3W
LED Output	120 lm/W
CCT	2700K / 3000K / 4000K
CRI	90
Dimming & Driver	Integral, 0-10V
Light Distribution	360° Diffused Beam
IP Rating	IP 20
Warranty	5 years
Finishes	34 RAL finishes 8 wood-effect finishes 12 metallic finishes Custom on request*

OTHER VERSIONS AVAILABLE



CERTIFICATION



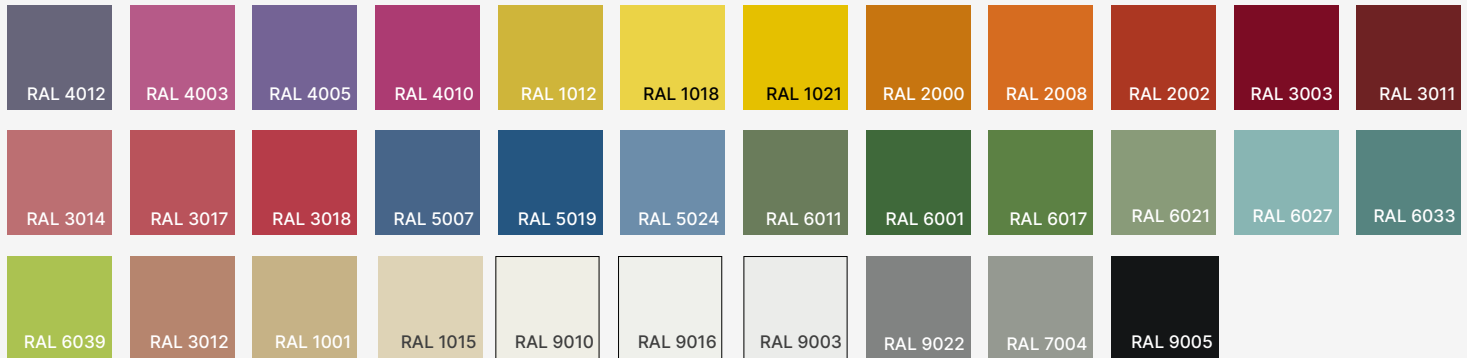
Ordering Information

Select one item from each category below. If your desired option is unavailable, please contact our team for support or custom solutions.

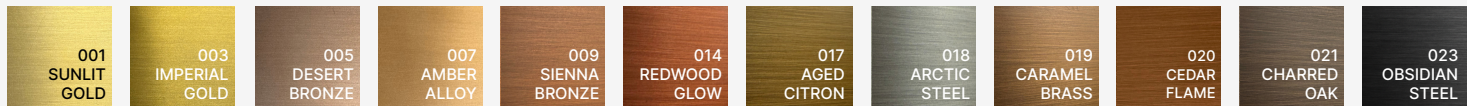
Code	Wattage / Lumens	CCT	Dimming
<input checked="" type="checkbox"/> BSC Wall	<input type="checkbox"/> 7 2 x 3 W / 720 lm	<input type="checkbox"/> 27 2700K	<input type="checkbox"/> NN Non-Dimmable
	<input type="checkbox"/> Cus Custom on request	<input type="checkbox"/> 30 3000K	<input type="checkbox"/> DM 0-10V
		<input type="checkbox"/> 40 4000K	
		<input type="checkbox"/> Cus Custom on request	
Glass Type Option	Metal Finish Option	Canopy Finish Option	<p>Note: The color combination shown in the photo on the first page of this spec sheet is part of the exclusive A We Lighting Design Palette. This custom palette reflects our brand's identity and is available as a special finish option — A We Lighting Palette*.</p>
<input type="checkbox"/> CL Clear	<input type="checkbox"/> ST Standard	<input type="checkbox"/> ST Standard	
<input type="checkbox"/> FR Frosted	<input type="checkbox"/> WE Wood effect	<input type="checkbox"/> WE Wood effect	
<input type="checkbox"/> Cus Custom on request	<input type="checkbox"/> MC Metallic	<input type="checkbox"/> MC Metallic	
	<input type="checkbox"/> AWE A We Lighting Palette*	<input type="checkbox"/> AWE A We Lighting Palette*	
	<input type="checkbox"/> Cus Custom on request	<input type="checkbox"/> Cus Custom on request	

Finishes

Standard finishes



Metallic finishes



Wood-effect finishes



RAL K7 CLASSIC COLORS

(80-95% GLOSS): RAL _ _ _ _

All RAL Classic colors are available with no setup fee.

On your specification submittal, choose your RAL color by entering the 4-digit RAL code (e.g., RAL 3003).

