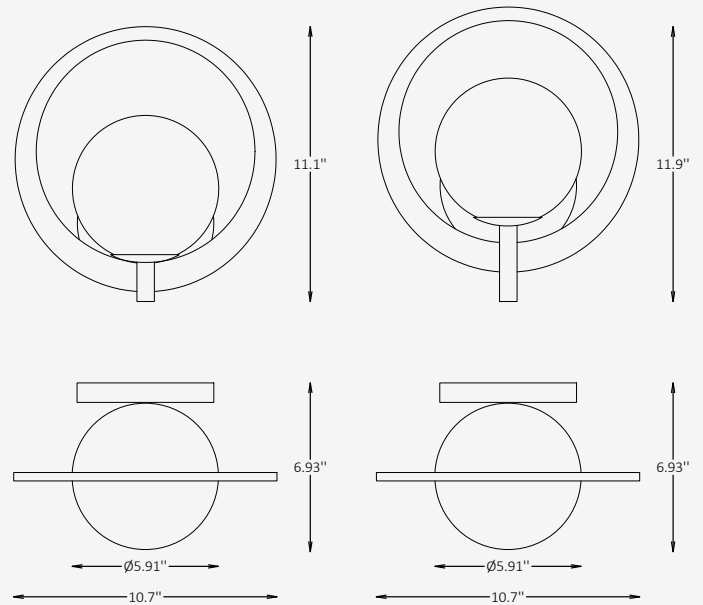




## GENERAL INFORMATION

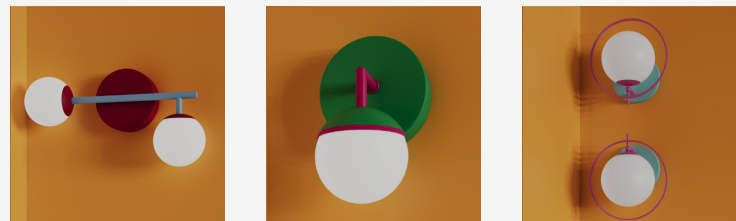
The LERIO wall fixture combines a frosted glass sphere with a refined metal frame to create a sculptural yet understated lighting element. Designed to emit soft 360° illumination, it provides comfortable ambient light while enhancing the architectural character of the space. Its balanced proportions and versatile mounting options make LERIO suitable for residential, hospitality, and boutique commercial interiors. Available in a wide selection of finishes, it adapts seamlessly to both contemporary and eclectic design environments.



## SPECIFICATIONS

Material	Aluminum + Glass
Sphere	Glass, Frosted
Sphere Diameter	5.91"
Height	11.1" / 11.9"
Length	10.7"
Depth	6.93"
Input Voltage	110-277V, 50-60 Hz
Light Source Type	LED
Power	10W / 15W
LED Output	70 lm/W
CCT	2700K / 3000K / 4000K
CRI	90
Dimming & Driver	Integral, 0-10V, TRIAC
Light Distribution	Beam 360°
IP Rating	IP 20
Warranty	5 years
Finishes	34 RAL finishes 12 metallic finishes Custom on request*

## OTHER VERSIONS AVAILABLE



## CERTIFICATION



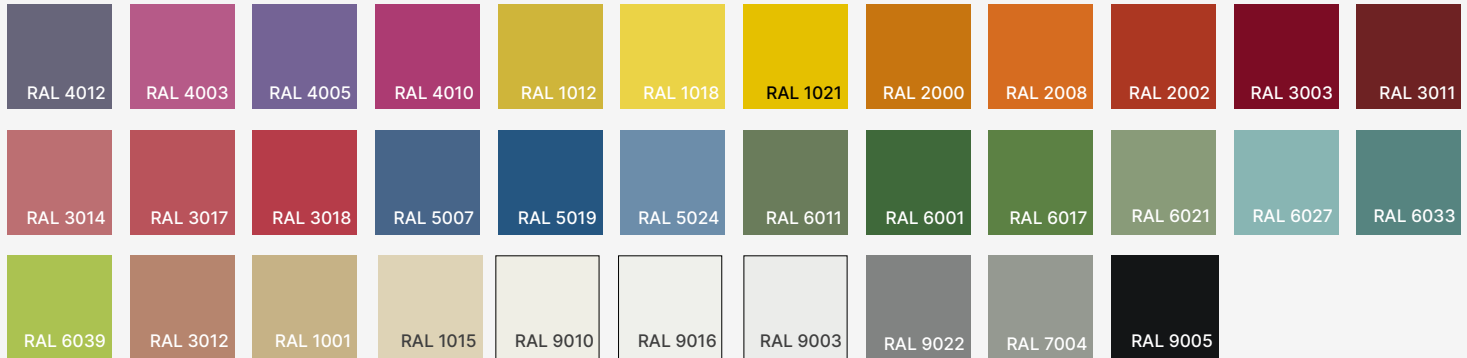
## Ordering Information

Select one item from each category below. If your desired option is unavailable, please contact our team for support or custom solutions.

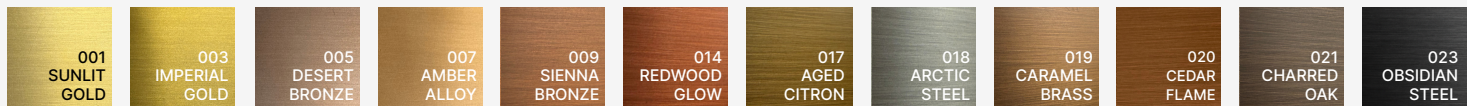
Code	Wattage / Lumens	CCT	Dimming
<input checked="" type="checkbox"/> <b>LRO</b> Wall	<input type="checkbox"/> <b>7</b> 10W / 700 lm	<input type="checkbox"/> <b>27</b> 2700K	<input type="checkbox"/> <b>NN</b> Non-Dimmable
	<input type="checkbox"/> <b>15</b> 15W / 1500 lm	<input type="checkbox"/> <b>30</b> 3000K	<input type="checkbox"/> <b>DM</b> 0-10V
	<input type="checkbox"/> <b>Cus</b> Custom on request	<input type="checkbox"/> <b>40</b> 4000K	<input type="checkbox"/> <b>TRC</b> TRIAC
		<input type="checkbox"/> <b>Cus</b> Custom on request	
Sphere Location	Body Finish Option	Canopy Finish Option	Finish Type
<input type="checkbox"/> <b>CTD</b> Centered	<input type="checkbox"/> <b>ST</b> Standard	<input type="checkbox"/> <b>ST</b> Standard	<input type="checkbox"/> <b>GL</b> Glossy
<input type="checkbox"/> <b>LWD</b> Lowered	<input type="checkbox"/> <b>MC</b> Metallic	<input type="checkbox"/> <b>MC</b> Metallic	<input type="checkbox"/> <b>MT</b> Matte
	<input type="checkbox"/> <b>Cus</b> Custom on request	<input type="checkbox"/> <b>Cus</b> Custom on request	

## Finishes

### Standard finishes



### Metallic finishes



**RAL K7 CLASSIC COLORS (80-95% GLOSS):** RAL\_ \_ \_ \_

All RAL Classic colors are available with no setup fee.

On your specification submittal, choose your RAL color by entering the 4-digit RAL code (e.g., RAL 3003).

