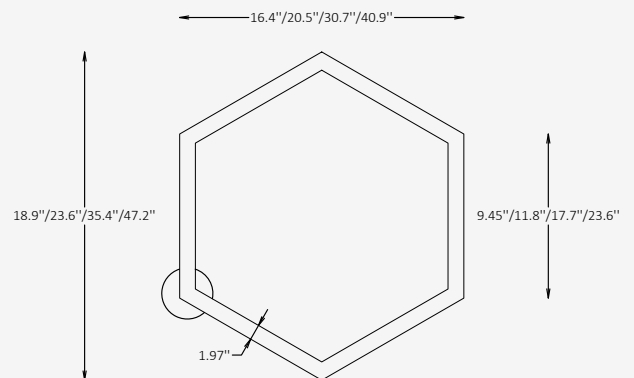
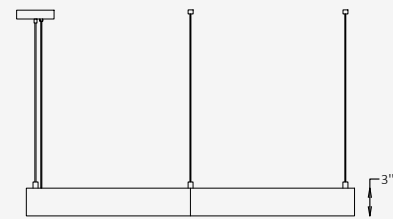




## GENERAL INFORMATION

SONEX is an architectural acoustic pendant designed to combine sound absorption with soft, diffused illumination. The geometric form creates a strong visual statement while improving acoustic comfort in open environments. Constructed from aluminum and high-performance PET acoustic felt, SONEX delivers balanced ambient lighting and enhanced sound control. Available in multiple sizes and finishes, it is ideal for offices, hospitality spaces, meeting areas, and collaborative environments.



## SPECIFICATIONS

Material	Aluminum, 100% P.E.T. Felt
Diffuser	Polycarbonate, Frosted
Length	18.9" / 23.6" / 35.4" / 47.2"
Width	16.4" / 20.5" / 30.7" / 40.9"
Profile Height	3"
Profile Width	1.97"
Input Voltage	110-277V, 50-60 Hz
Light Source Type	LED
Power	25W / 40W / 90W / 180W
LED Output	105 lm/W
CCT	3000K / 3500K / 4000K
CRI	90
Dimming & Driver	Integral, 0-10V
Light Distribution	Direct, Diffused
IP Rating	IP 20
Finishes	38 acoustic fiber finishes
Warranty	5 years

## OTHER VERSIONS AVAILABLE



## CERTIFICATION



Project

Notes

## Ordering Information

Select one item from each category below. If your desired option is unavailable, please contact our team for support or custom solutions.

Code	Length / Width / Wattage / Lumens	Profile Height	Profile Width
<input checked="" type="checkbox"/> <b>SNX</b> Acoustic / Pendant	<input type="checkbox"/> <b>18</b> 18.9" / 16.4" / 25W / 2625 lm <input type="checkbox"/> <b>23</b> 23.6" / 20.5" / 40W / 4200 lm <input type="checkbox"/> <b>35</b> 35.4" / 30.7" / 90W / 9450 lm <input type="checkbox"/> <b>47</b> 47.2" / 40.9" / 180W / 18,900 lm	<input checked="" type="checkbox"/> <b>3</b> 3"	<input checked="" type="checkbox"/> <b>2</b> 1.97"
CCT	Dimming	Acoustic Fiber Finish Option	Frame Finish Option
<input type="checkbox"/> <b>30</b> 3000K <input type="checkbox"/> <b>35</b> 3500K <input type="checkbox"/> <b>40</b> 4000K	<input type="checkbox"/> <b>NN</b> Non-Dimmable <input type="checkbox"/> <b>DM</b> 0-10V	<input type="checkbox"/> <b>AF</b> Acoustic fibers	<input type="checkbox"/> <b>ST</b> Standard <input type="checkbox"/> <b>WE</b> Wood effect <input type="checkbox"/> <b>Cus</b> Custom on request
Canopy Finish Option	Cord Finish Option	Cord Length	
<input type="checkbox"/> <b>ST</b> Standard	<input type="checkbox"/> <b>SVW</b> White <input type="checkbox"/> <b>SVB</b> Black <input type="checkbox"/> <b>SVT</b> Transparent	<input type="checkbox"/> <b>L5</b> 59" (adjustable) <input type="checkbox"/> <b>Cus</b> Custom on request	

Project

Notes

# Finishes

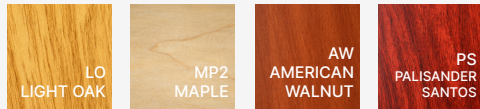
## Acoustic fiber finishes



## Standard finishes



## Wood-effect finishes



## Cord finishes

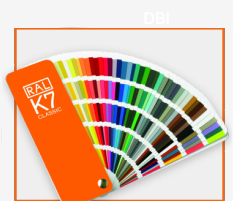


DBI  
MILK

**RAL K7 CLASSIC COLORS (80-95% GLOSS):** RAL\_ \_ \_ \_

All RAL Classic colors are available with no setup fee.

On your specification submittal, choose your RAL color by entering the 4-digit RAL code (e.g., RAL 3003).



DBI