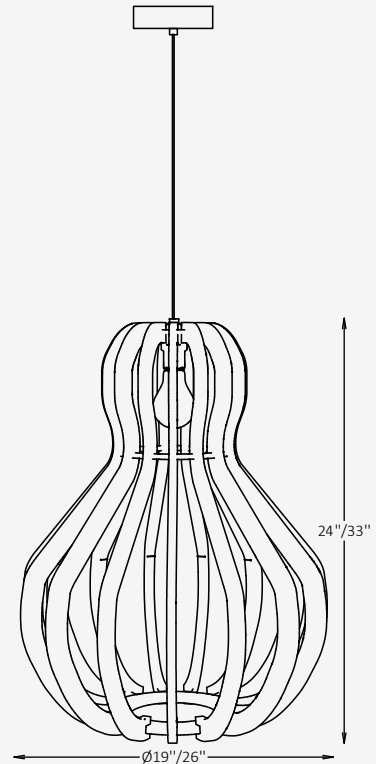




GENERAL INFORMATION

The ORICO acoustic pendant fuses sculptural aesthetics with acoustic utility. Crafted from 100% PET felt and aluminum, its layered form enhances spatial acoustics while delivering functional downward lighting. ORICO is a bold yet versatile solution for offices, hospitality spaces, and interiors where sound control and statement design are equally important.



SPECIFICATIONS

Material	Aluminum, 100% P.E.T. Felt
Diffuser	N/A
Diameter	19" / 26"
Height	24" / 33"
Input Voltage	110-277V, 50-60 Hz
Light Source Type	E26 (bulb not included)
Power	1 x max. 36W
Light Distribution	120° (Direct)
Appliance Class	I
IP Rating	IP 20
Finishes	38 acoustic fiber finishes
Warranty	5 years

OTHER VERSIONS AVAILABLE



CERTIFICATION



Ordering Information

Select one item from each category below. If your desired option is unavailable, please contact our team for support or custom solutions.

Code	Diameter Ø / Height	Wattage	Light Distribution
<input checked="" type="checkbox"/> ORC Acoustic / Pendant	<input type="checkbox"/> 19 19" / 26"	<input checked="" type="checkbox"/> 36 1 x max. 36 W	<input checked="" type="checkbox"/> DR 120° (Direct)
	<input type="checkbox"/> 26 26" / 33"		
Acoustic Fiber Finish Option	Canopy Finish Option	Cord Finish Option	Cord Length
<input type="checkbox"/> AF Acoustic fibers	<input type="checkbox"/> ST Standard	<input type="checkbox"/> SVW White	<input type="checkbox"/> L5 59" (adjustable)
	<input type="checkbox"/> RAL RAL finishes	<input type="checkbox"/> SVB Black	<input type="checkbox"/> Cus Custom on request
		<input type="checkbox"/> SVT Transparent	

Finishes

Acoustic fiber finishes



Standard finishes



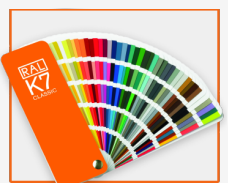
Cord finishes



RAL K7 CLASSIC COLORS (80-95% GLOSS): RAL_ _ _ _

All RAL Classic colors are available.

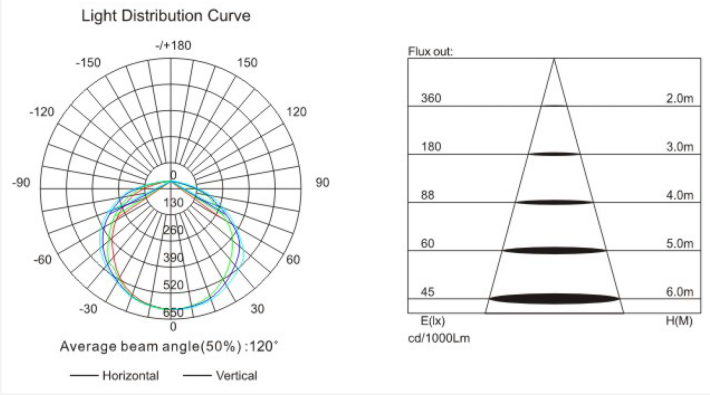
On your specification submittal, choose your RAL color by entering the 4-digit RAL code (e.g., RAL 3003).



Project

Notes

Photometric Data



DBI
MILK