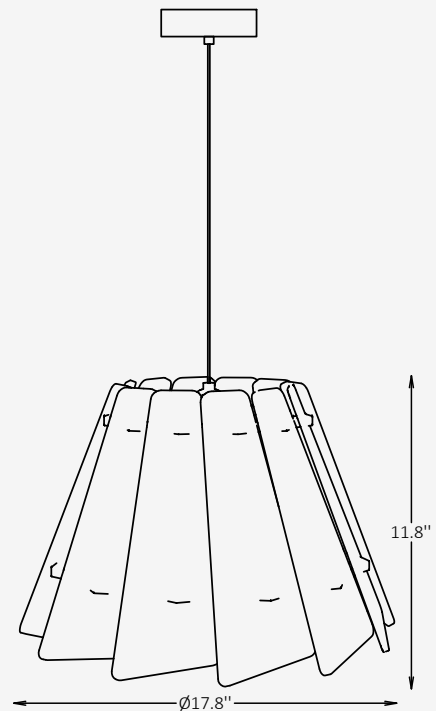




## GENERAL INFORMATION

The DRELLA acoustic pendant brings warmth and refinement to contemporary interiors through its clean geometric form and soft felt texture. Crafted from 100% P.E.T. acoustic fiber, it enhances both sound comfort and visual appeal. With its direct downlight and sculptural design, DRELLA is ideal for hospitality, dining, and collaborative spaces seeking functional elegance.



## SPECIFICATIONS

Material	Aluminum, 100% P.E.T. Felt
Diffuser	N/A
Diameter	17.8"
Height	11.8"
Input Voltage	110-277V, 50-60 Hz
Light Source Type	E26 (bulb not included)
Power	1 x max. 35W
Light Distribution	120° (Direct)
Appliance Class	I
IP Rating	IP 20
Finishes	38 acoustic fiber finishes
Warranty	5 years

## OTHER VERSIONS AVAILABLE



## CERTIFICATION



# Ordering Information

Select one item from each category below. If your desired option is unavailable, please contact our team for support or custom solutions.

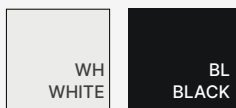
Code	Diameter Ø	Height	Wattage
<input checked="" type="checkbox"/> <b>DRL</b> Acoustic / Pendant	<input checked="" type="checkbox"/> <b>18</b> 17.8"	<input checked="" type="checkbox"/> <b>12</b> 11.8"	<input checked="" type="checkbox"/> <b>35</b> 1 x max. 35 W
Light Distribution	Acoustic Fiber Finish Option	Canopy Finish Option	Cord Finish Option
<input checked="" type="checkbox"/> <b>DR</b> 120° (Direct)	<input type="checkbox"/> <b>AF</b> Acoustic fibers	<input type="checkbox"/> <b>ST</b> Standard  <input type="checkbox"/> <b>RAL</b> RAL finishes	<input type="checkbox"/> <b>SVW</b> White  <input type="checkbox"/> <b>SVB</b> Black  <input type="checkbox"/> <b>SVT</b> Transparent
Cord Length			
<input type="checkbox"/> <b>L5</b> 59" (adjustable)  <input type="checkbox"/> <b>Cus</b> Custom on request			

## Finishes

### Acoustic fiber finishes



### Standard finishes



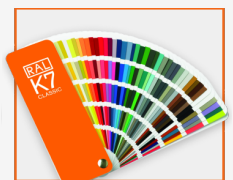
### Cord finishes



**RAL K7 CLASSIC COLORS (80-95% GLOSS): RAL\_ \_ \_ \_**

All RAL Classic colors are available.

On your specification submittal, choose your RAL color by entering the 4-digit RAL code (e.g., RAL 3003).



Project

Notes

# Photometric Data

