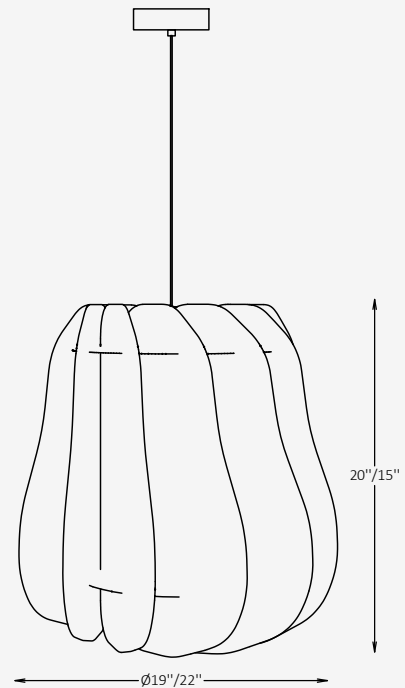




GENERAL INFORMATION

The VELIN pendant is a sculptural acoustic lighting fixture that merges visual softness with functional performance. Crafted from 100% P.E.T. felt, it delivers effective downward illumination through a 120° beam angle while helping absorb ambient noise. Its fluid silhouette and warm materiality make it a perfect fit for collaborative spaces, cafés, offices, and hospitality environments seeking acoustic comfort with contemporary style.



SPECIFICATIONS

Material	Aluminum, 100% P.E.T. Felt
Diffuser	N/A
Diameter	19" / 22"
Height	20" / 15"
Input Voltage	110-277V, 50-60 Hz
Light Source Type	E26 (bulb not included)
Power	1 x max. 25W
Light Distribution	120° (Direct)
Appliance Class	I
IP Rating	IP 20
Finishes	38 acoustic fiber finishes
Warranty	5 years

OTHER VERSIONS AVAILABLE



CERTIFICATION



Ordering Information

Select one item from each category below. If your desired option is unavailable, please contact our team for support or custom solutions.

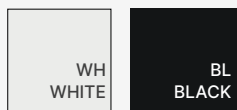
Code	Diameter Ø / Height	Wattage	Light Distribution
<input checked="" type="checkbox"/> VLN Acoustic / Pendant	<input type="checkbox"/> 19 19" / 20" <input type="checkbox"/> 22 22" / 15"	<input checked="" type="checkbox"/> 25 1 x max. 25W	<input checked="" type="checkbox"/> DR 120° (Direct)
Acoustic Fiber Finish Option	Canopy Finish Option	Cord Finish Option	Cord Length
<input type="checkbox"/> AF Acoustic fibers	<input type="checkbox"/> ST Standard <input type="checkbox"/> RAL RAL finishes	<input type="checkbox"/> SVW White <input type="checkbox"/> SVB Black <input type="checkbox"/> SVT Transparent	<input type="checkbox"/> L5 59" (adjustable) <input type="checkbox"/> Cus Custom on request

Finishes

Acoustic fiber finishes



Standard finishes



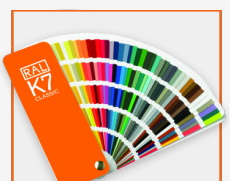
Cord finishes



RAL K7 CLASSIC COLORS (80-95% GLOSS): RAL _ _ _ _

All RAL Classic colors are available.

On your specification submittal, choose your RAL color by entering the 4-digit RAL code (e.g., RAL 3003).



Project

Notes

Photometric Data

