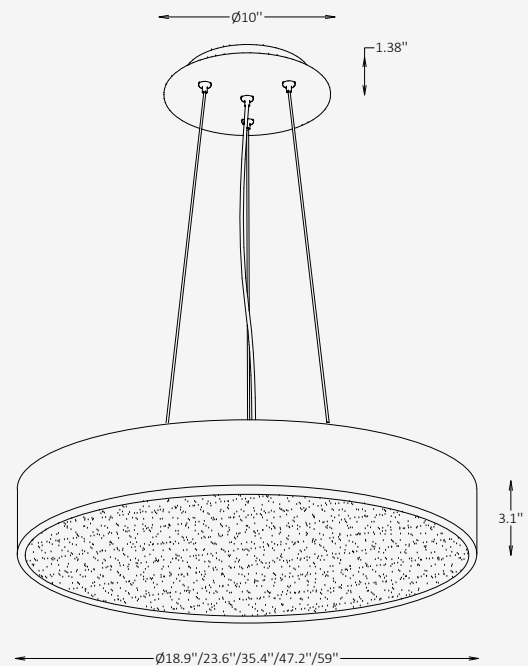




GENERAL INFORMATION

RONEX AC-SP is an acoustic pendant designed to improve both lighting quality and sound comfort in modern interior spaces. The clean circular form integrates acoustic PET felt to help reduce ambient noise while providing soft, controlled indirect illumination. Ideal for offices, meeting rooms, and open-plan environments, RONEX AC-SP combines functional lighting with acoustic performance in a refined architectural design. Available in multiple sizes and finishes, the fixture offers flexibility for a wide range of commercial applications.



SPECIFICATIONS

Material	Aluminum, 100% P.E.T. Felt
Diffuser	Acrylic
Diameter	18.9" / 23.6" / 35.4" / 47.2" / 59"
Profile Height	3.1"
Input Voltage	110-277V
Light Source	LED / Non-Illuminated
Power	20W / 30W / 48W / 88W / (LED version only)
LED Output	85 lm/W
CCT	3000K / 3500K / 4000K
CRI	90
Dimming & Driver	Integral, 0-10V
Light Distribution	Indirect (LED version only)
IP Rating	IP 20
Warranty	5 years
Finishes	38 acoustic fiber finishes Black / White RAL finishes on request

OTHER VERSIONS AVAILABLE



CERTIFICATION



Ordering Information

Select one item from each category below. If your desired option is unavailable, please contact our team for support or custom solutions.

Code	Fixture Configuration	Diameter / Wattage / Lumens	Profile Height
<input checked="" type="checkbox"/> RNX-AC-SP Acoustic / Pendant	<input type="checkbox"/> LED Illuminated <input type="checkbox"/> NL Non-Illuminated	<input type="checkbox"/> 19-ID 18.9" / 20W / ↑1700 lm <input type="checkbox"/> 23-ID 23.6" / 30W / ↑2550 lm <input type="checkbox"/> 35-ID 35.4" / 48W / ↑4080 lm <input type="checkbox"/> 47-ID 47.2" / 88W / ↑7480 lm <input type="checkbox"/> 59-ID 59" / 88W / ↑7480 lm <small>Available for LED configuration only*</small>	<input checked="" type="checkbox"/> 3 3.1"
CCT	Dimming	Acoustic Fiber Finish Option	Body Finish Option
<input type="checkbox"/> 30 3000K <input type="checkbox"/> 35 3500K <input type="checkbox"/> 40 4000K	<input type="checkbox"/> NN Non-Dimmable <input type="checkbox"/> DM 0-10V	<input type="checkbox"/> AF Acoustic fibers	<input type="checkbox"/> ST Standard <input type="checkbox"/> WE Wood effect <input type="checkbox"/> RAL RAL finishes
Canopy Finish Option	Cord Finish Option	Cord Length	Mounting
<input type="checkbox"/> ST Standard <input type="checkbox"/> RAL RAL finishes	<input type="checkbox"/> SVW White <input type="checkbox"/> SVB Black <input type="checkbox"/> SVT Transparent	<input type="checkbox"/> L5 59" (adjustable) <input type="checkbox"/> Cus Custom on request	<input type="checkbox"/> CT Central Canopy Suspension <input type="checkbox"/> MO Multi-Point Suspension

Project

Notes

Finishes

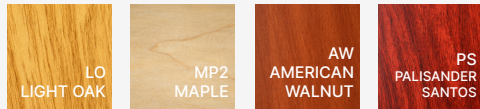
Acoustic fiber finishes



Standard finishes



Wood-effect finishes



DBI
MILK

Cord finishes



RAL K7 CLASSIC COLORS (80-95% GLOSS): RAL_ _ _ _

All RAL Classic colors are available.

On your specification submittal, choose your RAL color by entering the 4-digit RAL code (e.g., RAL 3003).

