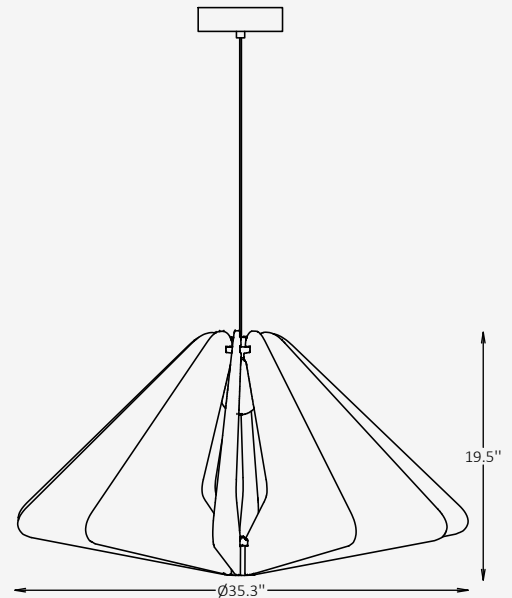




## GENERAL INFORMATION

ZENOA is a sculptural acoustic pendant luminaire defined by its folded, radial geometry and soft material expression. Crafted from high-performance P.E.T. felt with aluminum structural elements, the layered form enhances sound absorption while creating a visually striking centerpiece. Designed to balance ambient illumination with acoustic comfort, ZENOA is well suited for hospitality interiors, dining areas, and collaborative spaces where atmosphere, visual identity, and noise control are equally important. Its generous scale and wide range of acoustic finishes allow seamless integration into contemporary residential and commercial environments.



## SPECIFICATIONS

Material	Aluminum, 100% P.E.T. Felt
Lens	N/A
Diameter	35.3"
Height	19.5"
Input Voltage	110-277V, 50-60 Hz
Light Source Type	E26 (bulb not included) / LED
Power	1 x max. 20W / 10W
LED Output	80 lm/W (available only for LED model)
CCT	2700K / 3000K / 3500K / 4000K (available only for LED model)
CRI	90 (available only for LED model)
Dimming & Driver	Integral, 0-10V (available only for LED model)
Appliance Class	I
IP Rating	IP 20
Finishes	38 acoustic fiber finishes
Warranty	5 years

## OTHER VERSIONS AVAILABLE



## CERTIFICATION



# Ordering Information

Select one item from each category below. If your desired option is unavailable, please contact our team for support or custom solutions.

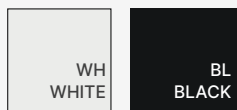
Code	Diameter Ø	Height	Light Source
<input checked="" type="checkbox"/> <b>ZNA</b> Acoustic / Pendant	<input checked="" type="checkbox"/> <b>35</b> 35.3"	<input checked="" type="checkbox"/> <b>20</b> 19.5"	<input type="checkbox"/> <b>E26</b> 1 x max. 20 W  <input type="checkbox"/> <b>LED</b> 10W / 820 lm
CCT	Dimming	Reflector	Acoustic Fiber Finish Option
<input type="checkbox"/> <b>27</b> 2700K  <input type="checkbox"/> <b>30</b> 3000K  <input type="checkbox"/> <b>35</b> 3500K  <input type="checkbox"/> <b>40</b> 4000K  <small>(available only for LED model*)</small>	<input type="checkbox"/> <b>NN</b> Non-Dimmable  <input type="checkbox"/> <b>DM</b> 0-10V  <small>(available only for LED model*)</small>	<input type="checkbox"/> <b>ND</b> No Downlight  <input type="checkbox"/> <b>MS</b> Medium Spot  <input type="checkbox"/> <b>WB</b> Wide Beam	<input type="checkbox"/> <b>AF</b> Acoustic fibers
Canopy Finish Option	Cord Finish Option	Cord Length	
<input type="checkbox"/> <b>ST</b> Standard  <input type="checkbox"/> <b>RAL</b> RAL finishes	<input type="checkbox"/> <b>SVW</b> White  <input type="checkbox"/> <b>SVB</b> Black  <input type="checkbox"/> <b>SVT</b> Transparent	<input type="checkbox"/> <b>L5</b> 59" (adjustable)  <input type="checkbox"/> <b>Cus</b> Custom on request	

# Finishes

## Acoustic fiber finishes



## Standard finishes



## Cord finishes



**RAL K7 CLASSIC COLORS (80-95% GLOSS): RAL\_ \_ \_ \_**

All RAL Classic colors are available.

On your specification submittal, choose your RAL color by entering the 4-digit RAL code (e.g., RAL 3003).

