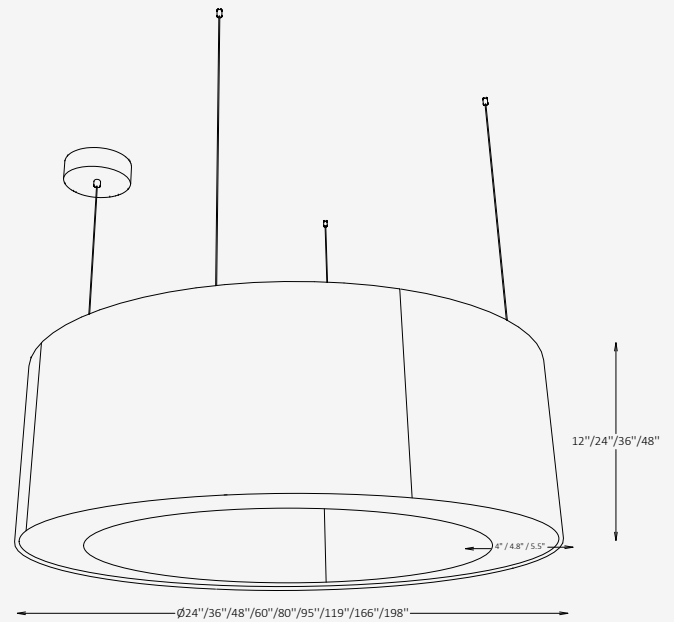




GENERAL INFORMATION

The Ronde acoustic pendant combines architectural lighting performance with advanced sound-absorbing functionality. Crafted from 100% PET felt and finished with a refined aluminum structure, it provides balanced illumination and improved acoustic comfort in open spaces. Designed for offices, hospitality, and communal areas, Ronde delivers soft, even light with 120° direct distribution while reducing ambient noise. Available in 38 acoustic fiber finishes to harmonize lighting and interior design aesthetics.



SPECIFICATIONS

| | |
|--------------------|--|
| Material | Aluminum, 100% P.E.T. Felt |
| Lens | Polycarbonate |
| Diameter | 24.4" / 36.2" / 48" / 59" / 79" / 95" / 119" / 166" / 197" |
| Profile Width | 4" / 4.8" / 5.5" |
| Profile Height | 12" / 24" / 36" / 48" |
| Input Voltage | 110-277V, 50-60 Hz |
| Light Source Type | LED |
| Power | 40W / 50W / 80W / 100W / 120W / 160W / 200W / 300W / 400W |
| LED Output | 85 lm/W |
| CCT | 3000K / 3500K / 4000K |
| CRI | 90 |
| Dimming & Driver | Integral, 0-10V |
| Light Distribution | 120° (Direct) |
| Appliance Class | I |
| IP Rating | IP 20 |
| Finishes | 38 acoustic fiber finishes |
| Warranty | 5 years |

OTHER VERSIONS AVAILABLE



CERTIFICATION

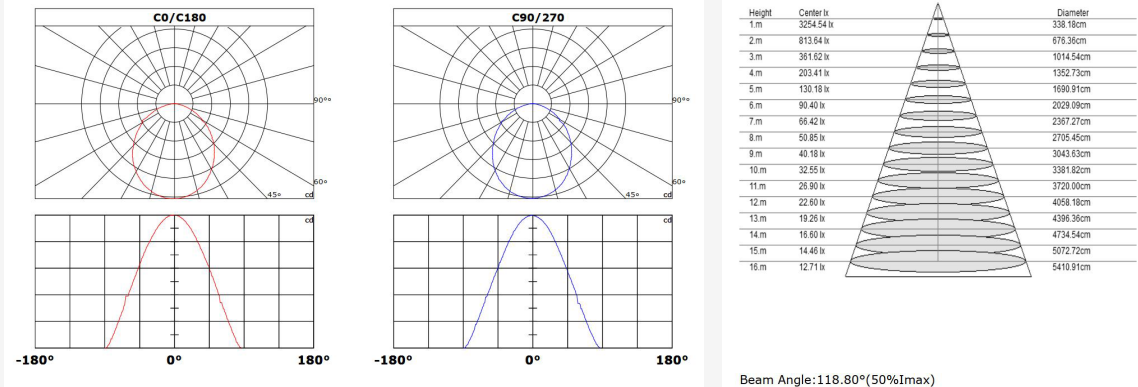


Ordering Information

Select one item from each category below. If your desired option is unavailable, please contact our team for support or custom solutions.

| Code | Diameter / Wattage / Lumens | | Profile Height |
|--|--|---|---|
| <input checked="" type="checkbox"/> RND Acoustic / Pendant | <input type="checkbox"/> 34 24.4" / 40 W / 3400 lm | <input type="checkbox"/> 136 95.3" / 160 W / 13,600 lm | <input type="checkbox"/> 12 12" |
| | <input type="checkbox"/> 42 36.2" / 50 W / 4250 lm | <input type="checkbox"/> 170 119" / 200 W / 17,000 lm | <input type="checkbox"/> 24 24" |
| | <input type="checkbox"/> 68 48.0" / 80 W / 6800 lm | <input type="checkbox"/> 255 166" / 300 W / 25,500 lm | <input type="checkbox"/> 36 36" |
| | <input type="checkbox"/> 85 60" / 100 W / 8500 lm | <input type="checkbox"/> 340 197.6" / 400 W / 34,000 lm | <input type="checkbox"/> 48 48" |
| | <input type="checkbox"/> 102 79.5" / 120 W / 10,200 lm | | |
| | | | |
| Profile Width | CCT | Dimming | Acoustic Fiber Finish Option |
| <input type="checkbox"/> 4 4" | <input type="checkbox"/> 30 3000K | <input type="checkbox"/> NN Non-Dimmable | <input type="checkbox"/> AF Acoustic fibers |
| <input type="checkbox"/> 5 4.8" | <input type="checkbox"/> 35 3500K | <input type="checkbox"/> DM 0-10V | |
| <input type="checkbox"/> 6 5.5" | <input type="checkbox"/> 40 4000K | | |
| Canopy Finish Option | Canopy Finish Option | Cord Length | |
| <input type="checkbox"/> ST Standard | <input type="checkbox"/> SVW White | <input type="checkbox"/> L11 118" (adjustable) | |
| <input type="checkbox"/> RAL RAL finishes | <input type="checkbox"/> SVB Black | <input type="checkbox"/> Cus Custom on request | |
| | <input type="checkbox"/> SVT Transparent | | |

Photometric Data



Project

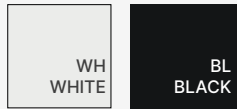
Notes

Finishes

Acoustic fiber finishes



Standard finishes



Cord finishes



RAL K7 CLASSIC COLORS (80-95% GLOSS): RAL _ _ _ _

All RAL Classic colors are available.

On your specification submittal, choose your RAL color by entering the 4-digit RAL code (e.g., RAL 3003).

