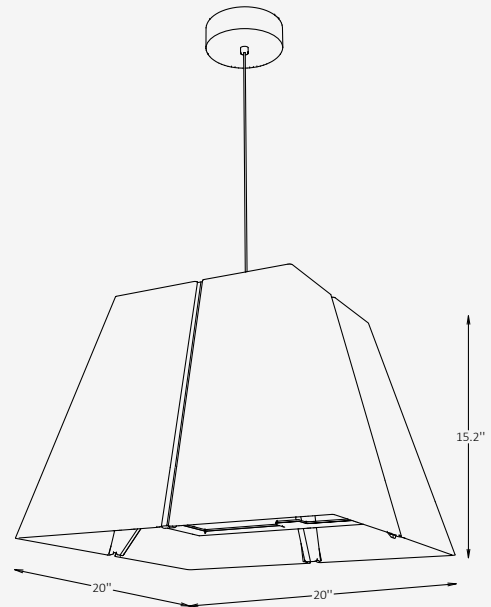




GENERAL INFORMATION

The FABLE is an acoustic pendant that combines the warmth of a classic drum shade with the performance of modern sound-absorbing technology. Its faceted form pairs an aluminum structure with 100% P.E.T. felt panels, softening ambient noise while delivering comfortable, glare-controlled downlight over tables, lounges, and collaborative areas. Offered in a broad palette of acoustic finishes, FABLE gives designers an inviting statement piece that enhances both visual character and acoustic comfort in hospitality, workplace, and residential spaces.



SPECIFICATIONS

Material	Aluminum, 100% P.E.T. Felt
Lens	N/A
Length / Width	20" / 20"
Height	15.2"
Input Voltage	110-277V, 50-60 Hz
Light Source Type	E26 (bulb not included)
Power	max. 40W
Light Distribution	120° (Direct)
Appliance Class	I
IP Rating	IP 20
Finishes	38 acoustic fiber finishes
Warranty	5 years

OTHER VERSIONS AVAILABLE



CERTIFICATION



Project

Notes

Ordering Information

Select one item from each category below. If your desired option is unavailable, please contact our team for support or custom solutions.

Code	Length / Width / Height	Wattage	Light Distribution
<input checked="" type="checkbox"/> FBE Acoustic / Pendant	<input checked="" type="checkbox"/> 20 20" / 20" / 15.2"	<input checked="" type="checkbox"/> 40 1 x max. 40 W	<input checked="" type="checkbox"/> DR 120° (Direct)
Acoustic Fiber Finish Option	Canopy Finish Option	Cord Length	Cord Finish Option
<input type="checkbox"/> AF Acoustic fibers	<input type="checkbox"/> ST Standard	<input type="checkbox"/> L5 59" (adjustable)	<input type="checkbox"/> SVW White
	<input type="checkbox"/> RAL RAL finishes	<input type="checkbox"/> Cus Custom on request	<input type="checkbox"/> SVB Black
			<input type="checkbox"/> SVT Transparent

Finishes

Acoustic fiber finishes



Standard finishes



Cord finishes



RAL K7 CLASSIC COLORS (80-95% GLOSS): RAL_ _ _ _

All RAL Classic colors are available.

On your specification submittal, choose your RAL color by entering the 4-digit RAL code (e.g., RAL 3003).

