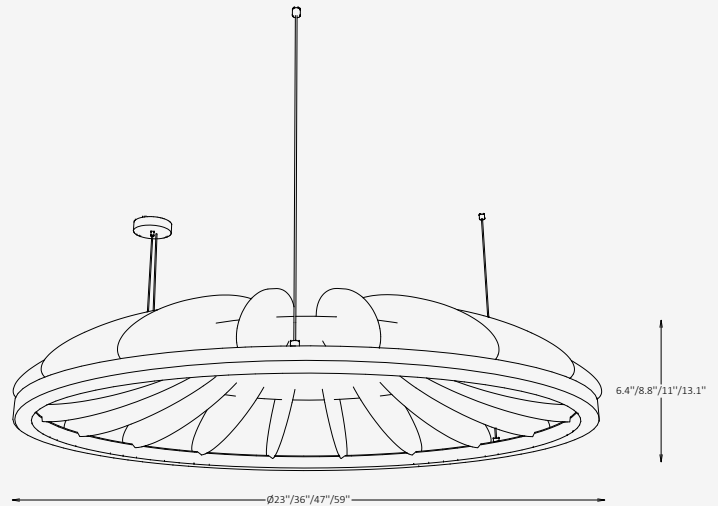




GENERAL INFORMATION

VENTARA DUO is an acoustic pendant designed to enhance both visual comfort and sound performance in contemporary interior environments. The fixture combines a clean circular form with integrated acoustic PET felt elements, helping reduce ambient noise while delivering efficient direct and indirect illumination. Ideal for offices, hospitality spaces, meeting rooms, and open-plan environments, VENTARA DUO offers a balanced lighting solution with improved acoustic comfort. Available in multiple sizes and acoustic finishes, the fixture provides flexibility for a wide range of commercial applications while maintaining a refined architectural aesthetic.



SPECIFICATIONS

Material	Aluminum, 100% P.E.T. Felt
Optical Lens	Polycarbonate
Diameter	23" / 36" / 47" / 59"
Height	6.4" / 8.8" / 11" / 13.1"
Input Voltage	110-277V, 50-60 Hz
Light Source Type	LED
Power	65W / 80W / 120W / 135W
LED Output	70 lm/W
CCT	3000K / 3500K / 4000K
CRI	90
Dimming & Driver	Integral, 0-10V
Light Distribution	Direct + Indirect
IP Rating	IP 20
Finishes	38 acoustic fiber finishes
Warranty	5 years

OTHER VERSIONS AVAILABLE



CERTIFICATION



Ordering Information

Select one item from each category below. If your desired option is unavailable, please contact our team for support or custom solutions.

Code	Diameter Ø / Height / Wattage / Lumens	CCT	Light Distribution
<input checked="" type="checkbox"/> VTR-DU Acoustic / Pendant	<input type="checkbox"/> 23 23" / 6.4" / 65 W / ↓2800 + ↑1750 lm <input type="checkbox"/> 35 35" / 8.8" / 80 W / ↓3500 + ↑2100 lm <input type="checkbox"/> 47 47" / 11" / 120 W / ↓5600 + ↑2800 lm <input type="checkbox"/> 59 59" / 13.1" / 135 W / ↓6300 + ↑3150 lm	<input type="checkbox"/> 30 3000K <input type="checkbox"/> 35 3500K <input type="checkbox"/> 40 4000K	<input checked="" type="checkbox"/> DI Direct + Indirect ↓ ↑
Dimming	Profile Finish Option	Acoustic Fiber Finish Option	Canopy Finish Option
<input type="checkbox"/> NN Non-Dimmable <input type="checkbox"/> DM 0-10V	<input type="checkbox"/> ST Standard <input type="checkbox"/> RAL RAL finishes	<input type="checkbox"/> AF Acoustic fibers	<input type="checkbox"/> ST Standard <input type="checkbox"/> RAL RAL finishes
Cord Length	Cord Finish Option	Mounting	
<input type="checkbox"/> L5 59" (adjustable) <input type="checkbox"/> Cus Custom on request	<input type="checkbox"/> SVW White <input type="checkbox"/> SVB Black <input type="checkbox"/> SVT Transparent	<input type="checkbox"/> CT Central Canopy Suspension <input type="checkbox"/> MO Multi-Point Suspension	

Finishes

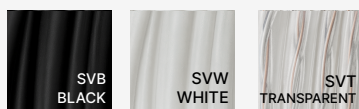
Acoustic fiber finishes



Standard finishes



Cord finishes



RAL K7 CLASSIC COLORS (80-95% GLOSS): RAL_ _ _ _

All RAL Classic colors are available.

On your specification submittal, choose your RAL color by entering the 4-digit RAL code (e.g., RAL 3003).

