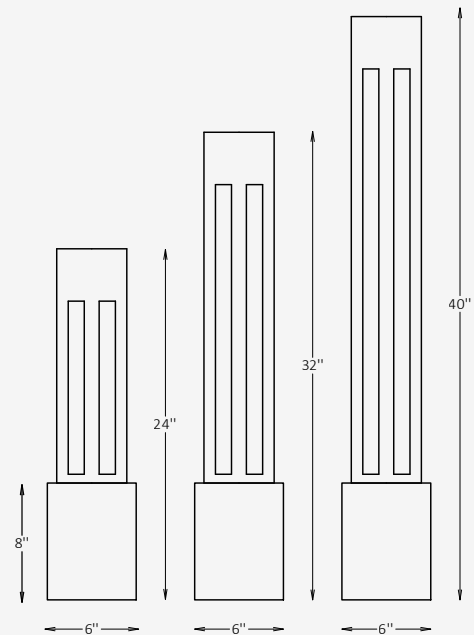




GENERAL INFORMATION

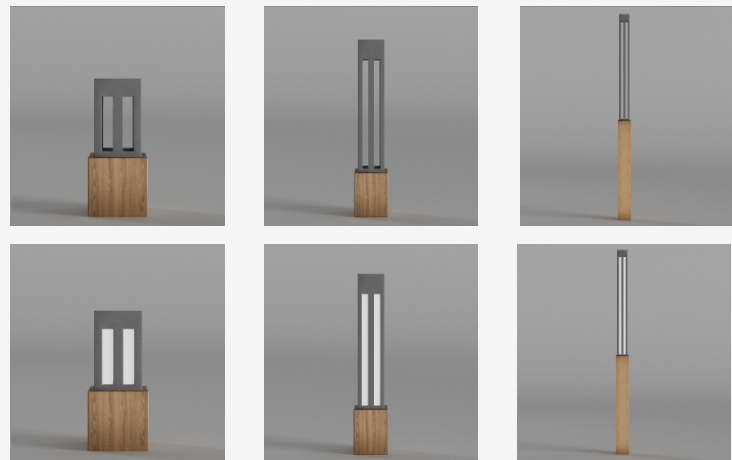
The SYLVA FROSTED B is a modern outdoor bollard luminaire designed for architectural and landscape applications. Made entirely from durable extruded aluminum, it features a sleek vertical design that provides uniform Type V 360° symmetrical light distribution. With customizable options for height, finish, wattage, and color temperature, the SYLVA FROSTED B offers a versatile lighting solution that combines visual appeal with long-lasting performance. Its IP65 rating ensures reliable operation in demanding outdoor environments.



SPECIFICATIONS

| | |
|-----------------------------|--|
| Material | Extruded Aluminum + PMMA |
| Lens | Frosted, Acrylic |
| Length / Width | 6" x 6" / Custom on request* |
| Total Height | 24" / 32" / 40" |
| Base Height | 8" |
| Light Source Type | LED |
| Power | 10W / 19W / 28W |
| Input Voltage | 110-277V, 50-60 Hz |
| LED Output | 48 lm/W |
| CCT | 2200K / 2700K / 3000K / 4000K / 5000K |
| CRI | 90 |
| Dimming & Driver | Integral, 0-10V |
| Light Distribution | Type V 360° symmetrical light distribution |
| IP Rating | IP 65 |
| Warranty | 5 years |
| Finishes | 16 standard finishes 8 wood-effect finishes 12 metallic finishes Custom on request* |

OTHER VERSIONS AVAILABLE



CERTIFICATION



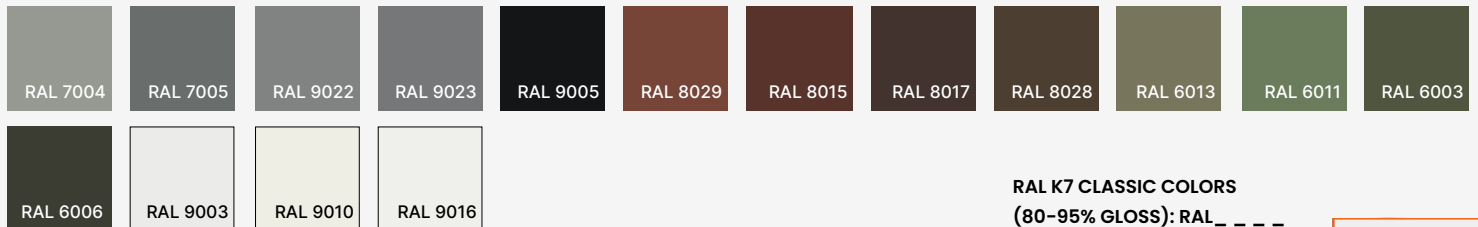
Ordering Information

Select one item from each category below. If your desired option is unavailable, please contact our team for support or custom solutions.

| Code | Length / Width | Height | Material |
|---|--|---|---|
| <input checked="" type="checkbox"/> SLVF-B Bollard | <input type="checkbox"/> 6 6" x 6" <input type="checkbox"/> Cus Custom on request | <input type="checkbox"/> 24 24" <input type="checkbox"/> 32 32" <input type="checkbox"/> 40 40" <input type="checkbox"/> Cus Custom on request | <input checked="" type="checkbox"/> AL Extruded Aluminum |
| CCT | Wattage / Lumens | Light Distribution | Dimming |
| <input type="checkbox"/> 22 2200K <input type="checkbox"/> 30 3000K <input type="checkbox"/> 40 4000K <input type="checkbox"/> 50 5000K | <input type="checkbox"/> 4 10 W / 480 lm <input type="checkbox"/> 9 19 W / 910 lm <input type="checkbox"/> 13 28 W / 1350 lm <input type="checkbox"/> Cus Custom on request | <input checked="" type="checkbox"/> LD5 Type V 360° symmetrical light distribution | <input type="checkbox"/> NN Non-Dimmable <input type="checkbox"/> DM 0-10V |
| Body Finish Option | Base Finish Option | Mounting | Finish Type |
| <input type="checkbox"/> ST Standard <input type="checkbox"/> WE Wood effect <input type="checkbox"/> MC Metallic <input type="checkbox"/> Cus Custom on request | <input type="checkbox"/> ST Standard <input type="checkbox"/> WE Wood effect <input type="checkbox"/> MC Metallic <input type="checkbox"/> Cus Custom on request | <input type="checkbox"/> SM Surface-Mounted <input type="checkbox"/> AB Anchored Base | <input type="checkbox"/> GL Glossy <input type="checkbox"/> MT Matte |

Finishes

Standard finishes



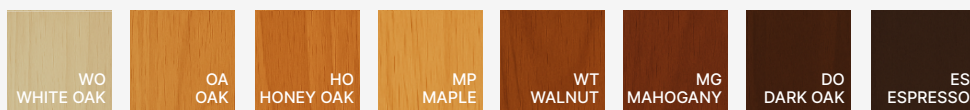
RAL K7 CLASSIC COLORS
(80-95% GLOSS): RAL_ _ _ _

All RAL Classic colors are available with no setup fee.

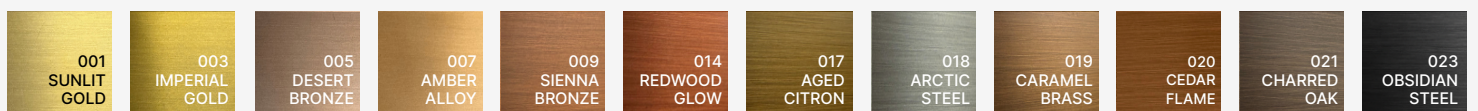
On your specification submittal, choose your RAL color by entering the 4-digit RAL code (e.g., RAL 3003).



Wood-effect finishes

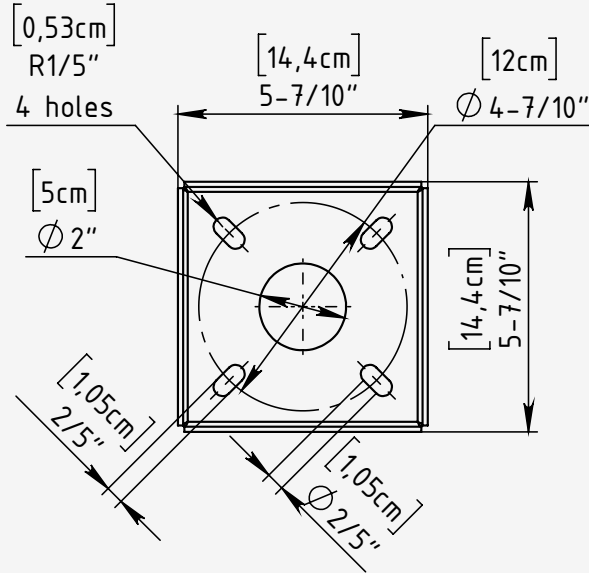


Metallic finishes



Bolt Patterns

for Surface-mounted Installation



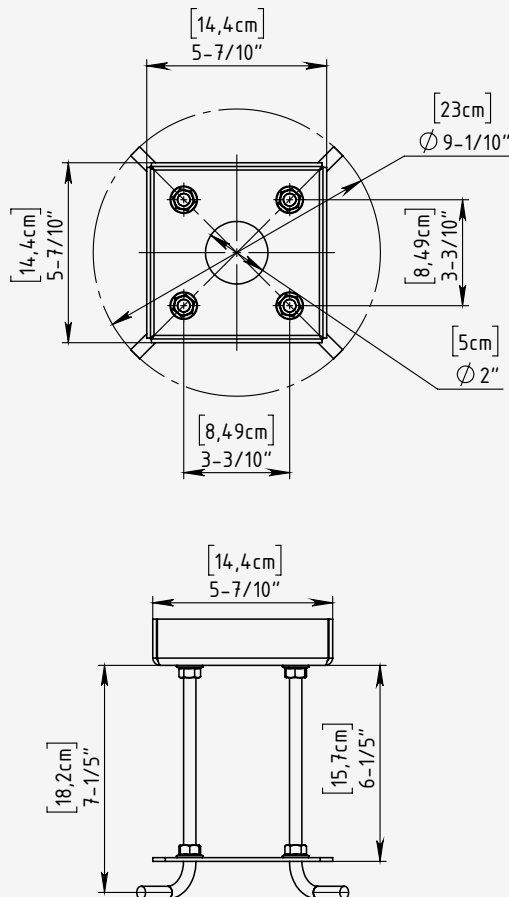
| | |
|------------------------------|--|
| Mounting Type | Surface-mounted |
| Base Plate Material | Stainless Steel |
| Bolt Mounting Circle | Ø: 4-7/10" |
| Number of Anchor Bolt | 4 equally holes (90° apart) |
| Bolt Size | 1/4"-20 x 3 1/4" concrete anchor bolt |

Installation Notes:

- Use a manufacturer-supplied base plate to position anchor bolts accurately.
- Ensure bolts are embedded vertically and aligned to avoid fixture tilt.
- Grouting under the base plate is recommended for leveling and load distribution.
- Allow clearance for wiring through the center opening and access to bolt heads if concealed.

Bolt Patterns

for Anchored Base Installation



| | |
|-----------------------------|--|
| Mounting Type | Anchored Base |
| Base Plate Material | Stainless Steel |
| Bolt Mounting Circle | Ø: 4-7/10" |
| Number of Anchor Kit | 4 equally holes (90° apart) |
| Anchor Kit Size | 3/8"-16 x 10" L-Hook concrete anchor bolt |

Installation Notes:

- Pour Concrete Footer and Set Anchors
- Prepare the concrete footer formwork. (The footer size should be determined by local frost depth and soil conditions.
- Recommended minimum size: 12" diameter x 20" depth.) Before pouring, assemble the galvanized steel L-bolt anchors with the included steel mounting plate.
- Position the assembly inside the formwork.
- As concrete is poured, insert the anchor assembly into the wet concrete using the mounting plate to ensure correct positioning and alignment.
- Allow clearance through the center opening for electrical wiring, and ensure future access to bolt heads if they will be concealed.
- Ensure all anchors are properly aligned and fully embedded. Allow the concrete to cure completely before proceeding.