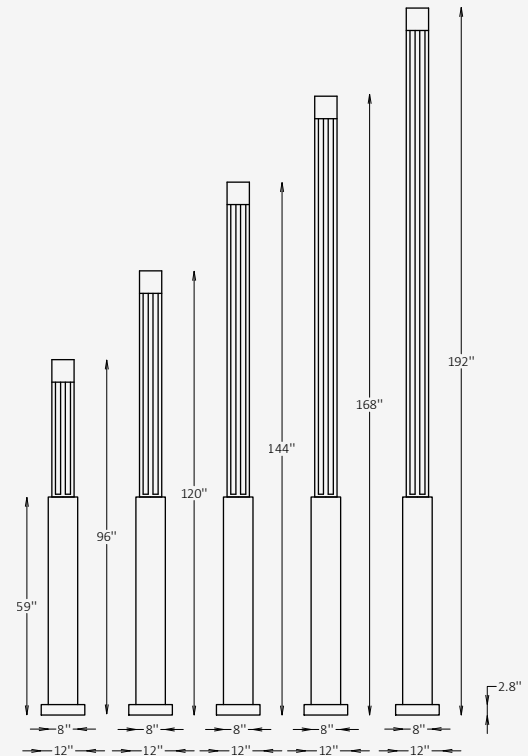




GENERAL INFORMATION

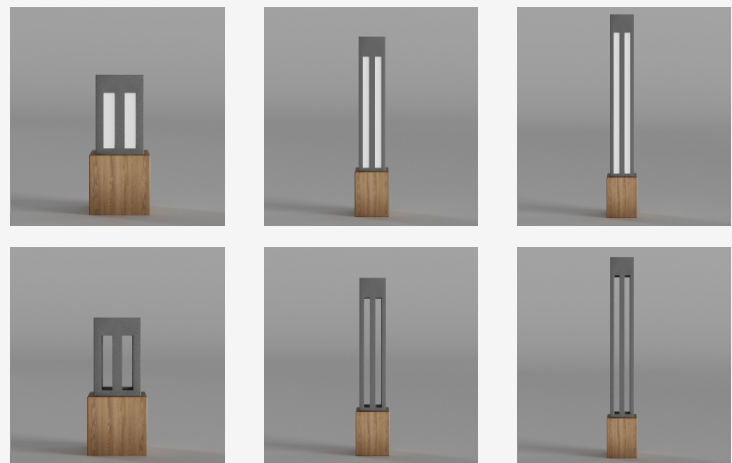
The SYLVA C is a vertical column luminaire engineered from extruded aluminum to deliver uniform 360° Type V illumination for large-scale exterior environments such as plazas, campuses, and walkways. With multiple height and wattage options, IP65 protection, and 0–10V dimming, it offers architectural presence, durability, and flexible lighting performance in a cohesive system.



SPECIFICATIONS

Material	Extruded Aluminum
Lens	N/A
Length / Width	8" x 8" / Custom on request*
Total Height	96" / 120" / 144" / 168" / 192"
Base Height	59"
Light Source Type	LED
Power	35W / 45W / 65W
Input Voltage	110-277V, 50-60 Hz
LED Output	60 lm/W
CCT	2200K / 2700K / 3000K / 4000K / 5000K
CRI	90
Dimming & Driver	Integral, 0-10V
Light Distribution	Type V 360° symmetrical light distribution
IP Rating	IP 65
Warranty	5 years
Finishes	16 standard finishes 8 wood-effect finishes 12 metallic finishes Custom on request*

OTHER VERSIONS AVAILABLE



CERTIFICATION



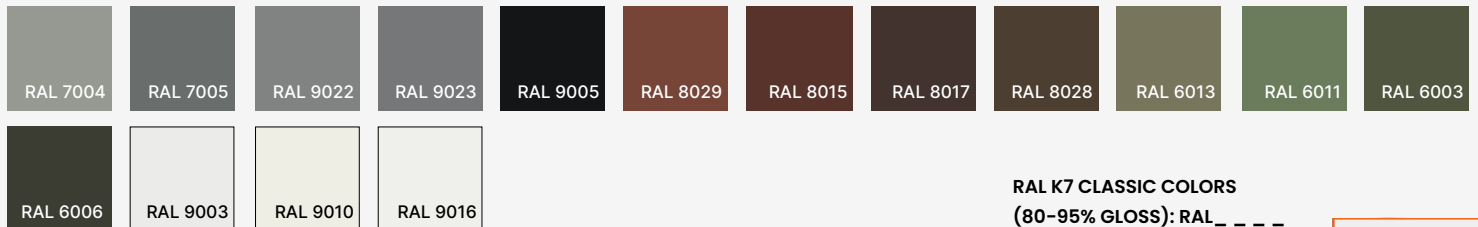
Ordering Information

Select one item from each category below. If your desired option is unavailable, please contact our team for support or custom solutions.

Code	Length / Width	Height	Material
<input checked="" type="checkbox"/> SLV-C Column	<input type="checkbox"/> 8 8" x 8" <input type="checkbox"/> Cus Custom on request	<input type="checkbox"/> 96 96" <input type="checkbox"/> 168 168" <input type="checkbox"/> 120 120" <input type="checkbox"/> 192 192" <input type="checkbox"/> 144 144" <input type="checkbox"/> Cus Custom on request	<input checked="" type="checkbox"/> AL Extruded Aluminum
CCT	Wattage / Lumens	Light Distribution	Dimming
<input type="checkbox"/> 22 2200K <input type="checkbox"/> 30 3000K <input type="checkbox"/> 40 4000K <input type="checkbox"/> 50 5000K	<input type="checkbox"/> 21 35 W / 2100 lm <input type="checkbox"/> 27 45 W / 2700 lm <input type="checkbox"/> 39 65 W / 3900 lm <input type="checkbox"/> Cus Custom on request	<input checked="" type="checkbox"/> LD5 Type V 360° symmetrical light distribution	<input type="checkbox"/> NN Non-Dimmable <input type="checkbox"/> DM 0-10V
Body Finish Option	Base Finish Option	Mounting	Finish Type
<input type="checkbox"/> ST Standard <input type="checkbox"/> WE Wood effect <input type="checkbox"/> MC Metallic <input type="checkbox"/> Cus Custom on request	<input type="checkbox"/> ST Standard <input type="checkbox"/> WE Wood effect <input type="checkbox"/> MC Metallic <input type="checkbox"/> Cus Custom on request	<input checked="" type="checkbox"/> AB Anchored Base	<input type="checkbox"/> GL Glossy <input type="checkbox"/> MT Matte

Finishes

Standard finishes



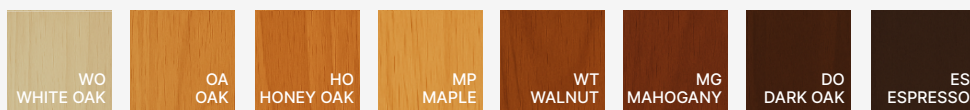
RAL K7 CLASSIC COLORS
(80-95% GLOSS): RAL_ _ _ _

All RAL Classic colors are available with no setup fee.

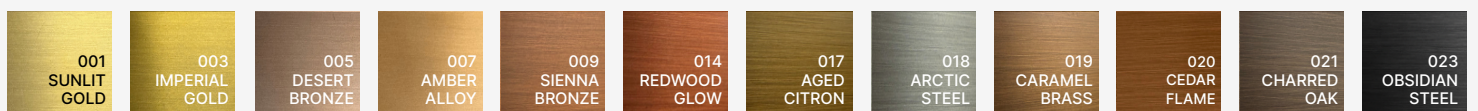
On your specification submittal, choose your RAL color by entering the 4-digit RAL code (e.g., RAL 3003).



Wood-effect finishes

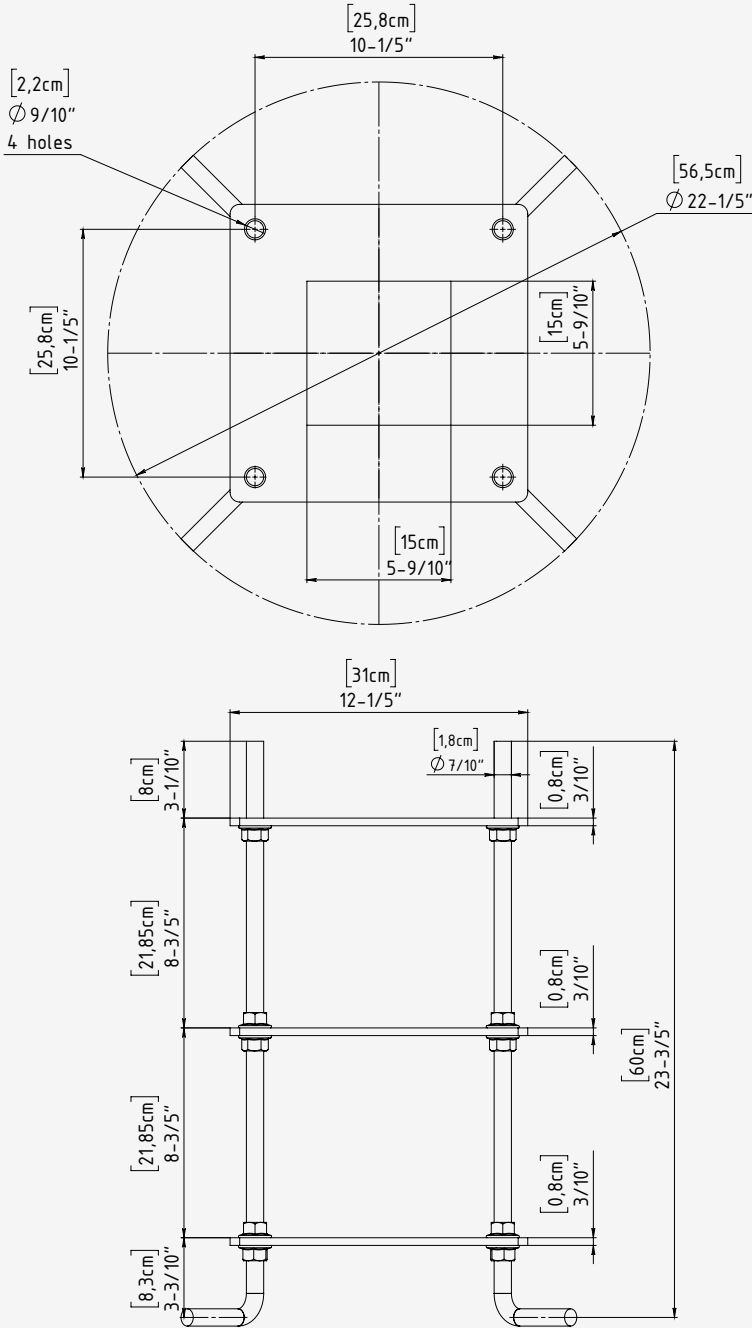


Metallic finishes



Bolt Patterns

for Anchored Base Installation



Mounting Type	Anchored Base
Base Plate Material	Stainless Steel
Bolt Mounting Circle	Ø: 4-7/10"
Number of Anchor Kit	4 equally holes (90° apart)
Anchor Kit Size	3/8"-16 x 10" L-Hook concrete anchor bolt

Installation Notes:

- Pour Concrete Footer and Set Anchors
- Prepare the concrete footer formwork. (The footer size should be determined by local frost depth and soil conditions.
- Recommended minimum size: 12" diameter × 20" depth.) Before pouring, assemble the galvanized steel L-bolt anchors with the included steel mounting plate.
- Position the assembly inside the formwork.
- As concrete is poured, insert the anchor assembly into the wet concrete using the mounting plate to ensure correct positioning and alignment.
- Allow clearance through the center opening for electrical wiring, and ensure future access to bolt heads if they will be concealed.
- Ensure all anchors are properly aligned and fully embedded. Allow the concrete to cure completely before proceeding.