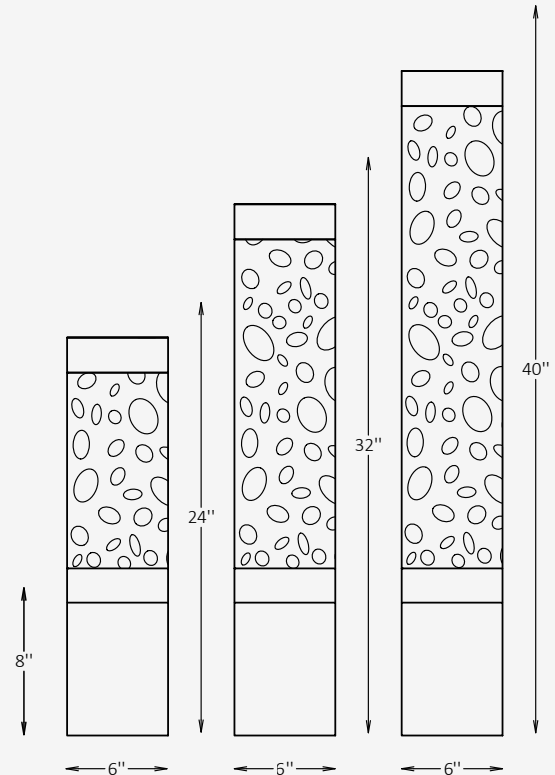




GENERAL INFORMATION

The THORNE LASER B is a decorative bollard luminaire featuring a laser-cut aluminum sleeve over a frosted acrylic diffuser, delivering patterned 360° Type V illumination. Designed for visual impact in pedestrian and landscape areas, it combines architectural character, soft ambient lighting, and IP65-rated durability.



SPECIFICATIONS

Material	Extruded Aluminum + PMMA
Lens	Frosted, Acrylic
Diameter	6" / Custom on request*
Total Height	24" / 32" / 40"
Base Height	8"
Light Source Type	LED
Power	10W / 19W / 28W
Input Voltage	110-277V, 50-60 Hz
LED Output	48 lm/W
CCT	2200K / 2700K / 3000K / 4000K / 5000K
CRI	90
Dimming & Driver	Integral, 0-10V
Light Distribution	Type V 360° symmetrical light distribution
IP Rating	IP 65
Warranty	5 years
Finishes	16 standard finishes 8 wood-effect finishes 12 metallic finishes Custom on request*

OTHER VERSIONS AVAILABLE



CERTIFICATION



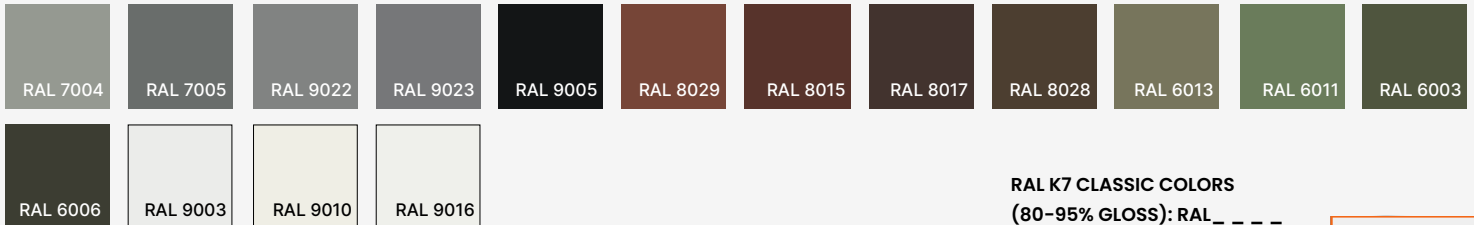
Ordering Information

Select one item from each category below. If your desired option is unavailable, please contact our team for support or custom solutions.

Code	Diameter Ø	Height	Material
<input checked="" type="checkbox"/> THRL-B Bollard	<input type="checkbox"/> 6 6"	<input type="checkbox"/> 24 24"	<input checked="" type="checkbox"/> AL Extruded Aluminum
	<input type="checkbox"/> Cus Custom on request	<input type="checkbox"/> 32 32"	
		<input type="checkbox"/> 40 40"	
		<input type="checkbox"/> Cus Custom on request	
CCT	Wattage / Lumens	Light Distribution	Dimming
<input type="checkbox"/> 22 2200K	<input type="checkbox"/> 4 10 W / 480 lm	<input checked="" type="checkbox"/> LD5 Type V	<input type="checkbox"/> NN Non-Dimmable
<input type="checkbox"/> 30 3000K	<input type="checkbox"/> 9 19 W / 910 lm	360° symmetrical light distribution	<input type="checkbox"/> DM 0-10V
<input type="checkbox"/> 40 4000K	<input type="checkbox"/> 13 28 W / 1350 lm		
<input type="checkbox"/> 50 5000K	<input type="checkbox"/> Cus Custom on request		
Body Finish Options	Base Finish Options	Mounting	Laser-Cut Pattern
<input type="checkbox"/> ST Standard	<input type="checkbox"/> ST Standard	<input type="checkbox"/> SM Surface-Mounted	<input type="checkbox"/> NB Nebula
<input type="checkbox"/> WE Wood effect	<input type="checkbox"/> WE Wood effect	<input type="checkbox"/> AB Anchored Base	<input type="checkbox"/> PS Pulse
<input type="checkbox"/> MC Metallic	<input type="checkbox"/> MC Metallic		<input type="checkbox"/> SR Strata
<input type="checkbox"/> Cus Custom on request	<input type="checkbox"/> Cus Custom on request		<input type="checkbox"/> OB Orbis
			<input type="checkbox"/> FR Fragment

Finishes

Standard finishes



RAL K7 CLASSIC COLORS

(80-95% GLOSS): RAL_ _ _ _

All RAL Classic colors are available with no setup fee.

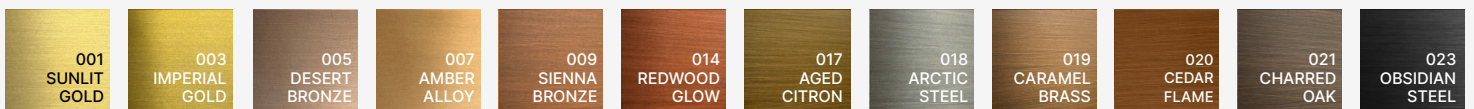
On your specification submittal, choose your RAL color by entering the 4-digit RAL code (e.g., RAL 3003).



Wood-effect finishes

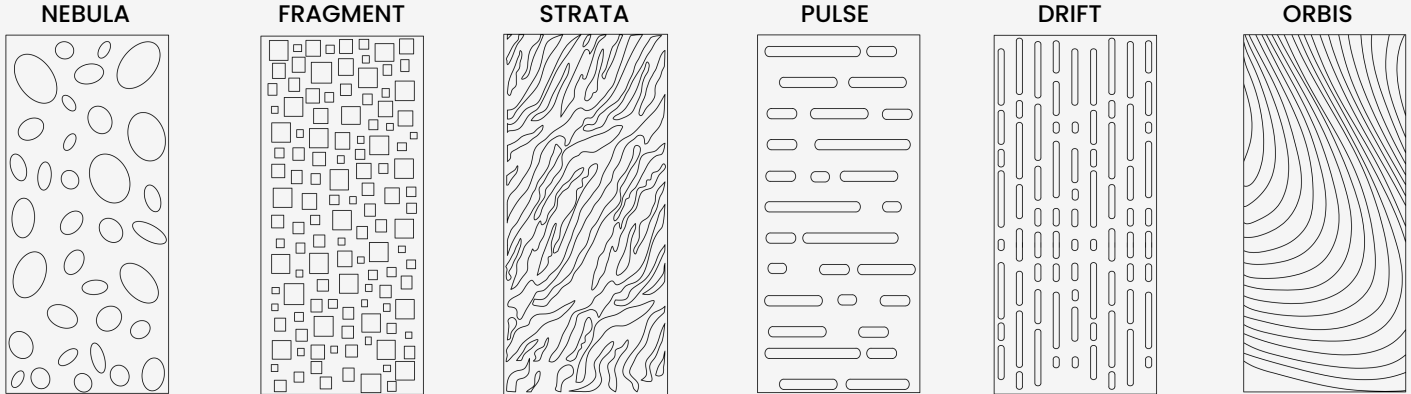


Metallic finishes



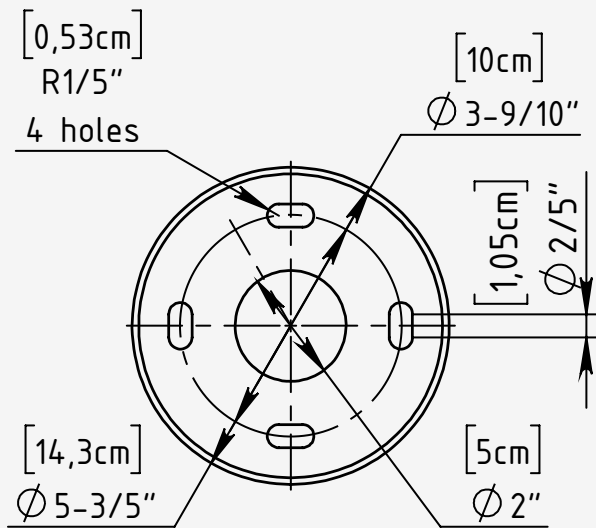
Standard Laser-Cut Shield Designs

Shields are available in both 180° and 360° formats, with options ranging from standardized perforation patterns to fully bespoke designs. Solid 180° configurations can also be provided.



Bolt Patterns

for Surface-mounted Installation



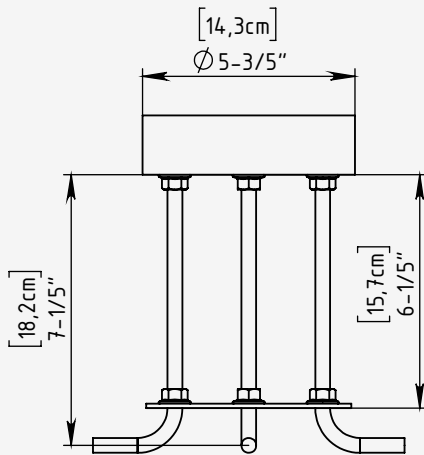
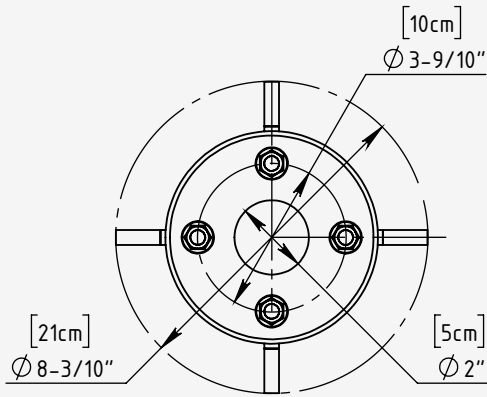
Mounting Type	Surface-mounted
Base Plate Material	Stainless Steel
Bolt Mounting Circle	$\text{Ø}: 4\text{-}7/10''$
Number of Anchor Bolt	4 equally holes (90° apart)
Bolt Size	1/4"-20 x 3 1/4" concrete anchor bolt

Installation Notes:

- Use a manufacturer-supplied base plate to position anchor bolts accurately.
- Ensure bolts are embedded vertically and aligned to avoid fixture tilt.
- Grouting under the base plate is recommended for leveling and load distribution.
- Allow clearance for wiring through the center opening and access to bolt heads if concealed.

Bolt Patterns

for Anchored Base Installation



Mounting Type	Anchored Base
Base Plate Material	Stainless Steel
Bolt Mounting Circle	$\text{Ø: } 4\text{-}7/10\text{''}$
Number of Anchor Kit	4 equally holes (90° apart)
Anchor Kit Size	3/8"-16 x 10" L-Hook concrete anchor bolt

Installation Notes:

- Pour Concrete Footer and Set Anchors
- Prepare the concrete footer formwork. (The footer size should be determined by local frost depth and soil conditions.
- Recommended minimum size: 12" diameter x 20" depth.) Before pouring, assemble the galvanized steel L-bolt anchors with the included steel mounting plate.
- Position the assembly inside the formwork.
- As concrete is poured, insert the anchor assembly into the wet concrete using the mounting plate to ensure correct positioning and alignment.
- Allow clearance through the center opening for electrical wiring, and ensure future access to bolt heads if they will be concealed.
- Ensure all anchors are properly aligned and fully embedded. Allow the concrete to cure completely before proceeding.