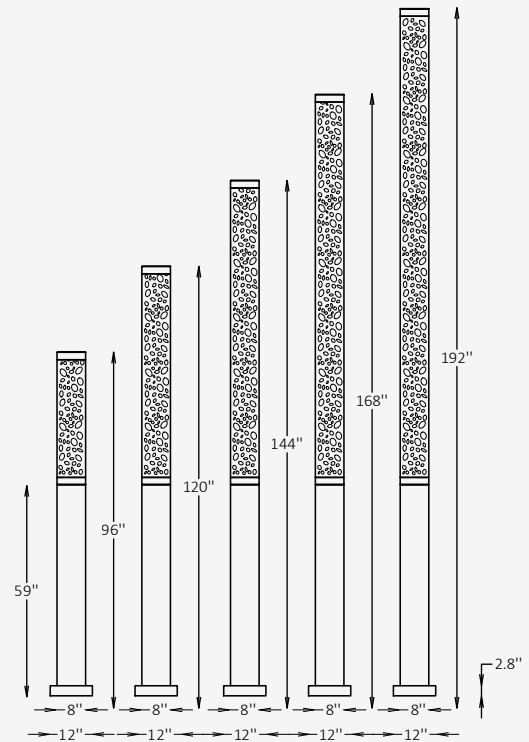




GENERAL INFORMATION

The THORNE LASER C is an architectural column luminaire featuring a laser-cut aluminum outer shell over a frosted acrylic lens, delivering soft, patterned 360° Type V illumination. Ideal for large-scale landscape and pedestrian zones, it offers sculptural presence, efficient LED performance, and IP65-rated durability with a variety of heights, outputs, and finishes.



SPECIFICATIONS

| | |
|--------------------|--|
| Material | Extruded Aluminum + PMMA |
| Lens | Frosted, Acrylic |
| Diameter | 8" / Custom on request* |
| Total Height | 96" / 120" / 144" / 168" / 192" |
| Base Height | 59" |
| Light Source Type | LED |
| Power | 42W / 54W / 78W |
| Input Voltage | 110-277V, 50-60 Hz |
| LED Output | 48 lm/W |
| CCT | 2200K / 2700K / 3000K / 4000K / 5000K |
| CRI | 90 |
| Dimming & Driver | Integral, 0-10V |
| Light Distribution | Type V 360° symmetrical light distribution |
| IP Rating | IP 65 |
| Warranty | 5 years |
| Finishes | 16 standard finishes 8 wood-effect finishes 12 metallic finishes Custom on request* |

OTHER VERSIONS AVAILABLE



CERTIFICATION



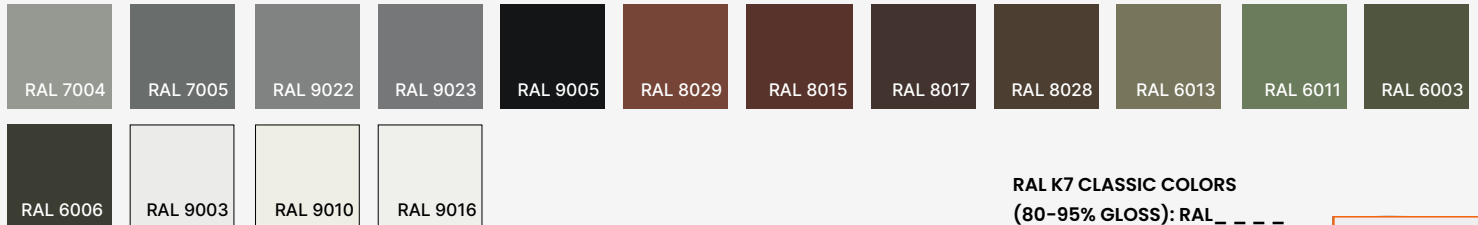
Ordering Information

Select one item from each category below. If your desired option is unavailable, please contact our team for support or custom solutions.

| Code | Diameter Ø | Height | Material |
|---|--|--|--|
| <input checked="" type="checkbox"/> THRL-C Column | <input type="checkbox"/> 8 8" | <input type="checkbox"/> 96 96" | <input checked="" type="checkbox"/> AL Extruded Aluminum |
| | <input type="checkbox"/> Cus Custom on request | <input type="checkbox"/> 168 168" | |
| | | <input type="checkbox"/> 120 120" | |
| | | <input type="checkbox"/> 144 144" | |
| | | <input type="checkbox"/> Cus Custom on request | |
| CCT | Wattage / Lumens | Light Distribution | Dimming |
| <input type="checkbox"/> 22 2200K | <input type="checkbox"/> 20 42 W / 2015 lm | <input checked="" type="checkbox"/> LD5 Type V | <input type="checkbox"/> NN Non-Dimmable |
| <input type="checkbox"/> 30 3000K | <input type="checkbox"/> 25 54 W / 2590 lm | 360° symmetrical light distribution | <input type="checkbox"/> DM 0-10V |
| <input type="checkbox"/> 40 4000K | <input type="checkbox"/> 37 78 W / 3750 lm | | |
| <input type="checkbox"/> 50 5000K | <input type="checkbox"/> Cus Custom on request | | |
| Body Finish Options | Base Finish Options | Mounting | Laser-Cut Pattern |
| <input type="checkbox"/> ST Standard | <input type="checkbox"/> ST Standard | <input checked="" type="checkbox"/> AB Anchored Base | <input type="checkbox"/> NB Nebula |
| <input type="checkbox"/> WE Wood effect | <input type="checkbox"/> WE Wood effect | | <input type="checkbox"/> PS Pulse |
| <input type="checkbox"/> MC Metallic | <input type="checkbox"/> MC Metallic | | <input type="checkbox"/> SR Strata |
| <input type="checkbox"/> Cus Custom on request | <input type="checkbox"/> Cus Custom on request | | <input type="checkbox"/> DR Drift |
| | | | <input type="checkbox"/> OB Orbis |
| | | | <input type="checkbox"/> FR Fragment |

Finishes

Standard finishes



RAL K7 CLASSIC COLORS
(80-95% GLOSS): RAL_ _ _ _

All RAL Classic colors are available with no setup fee.

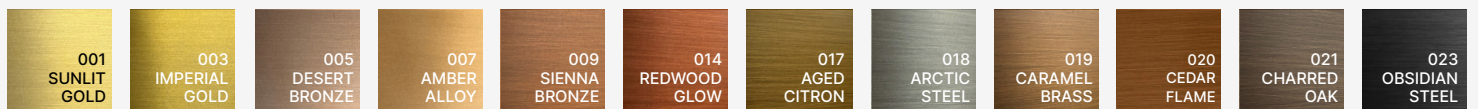
On your specification submittal, choose your RAL color by entering the 4-digit RAL code (e.g., RAL 3003).



Wood-effect finishes

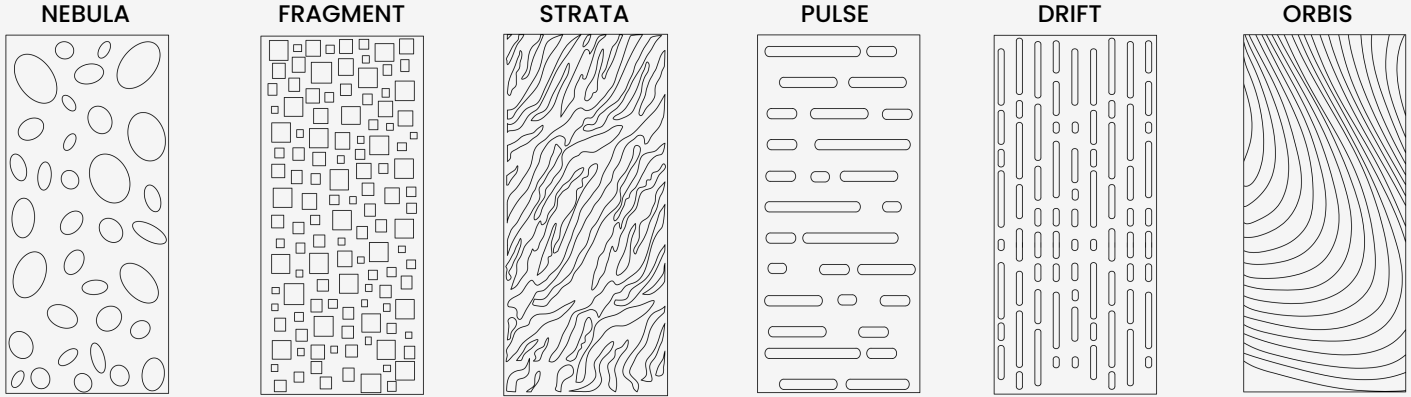


Metallic finishes



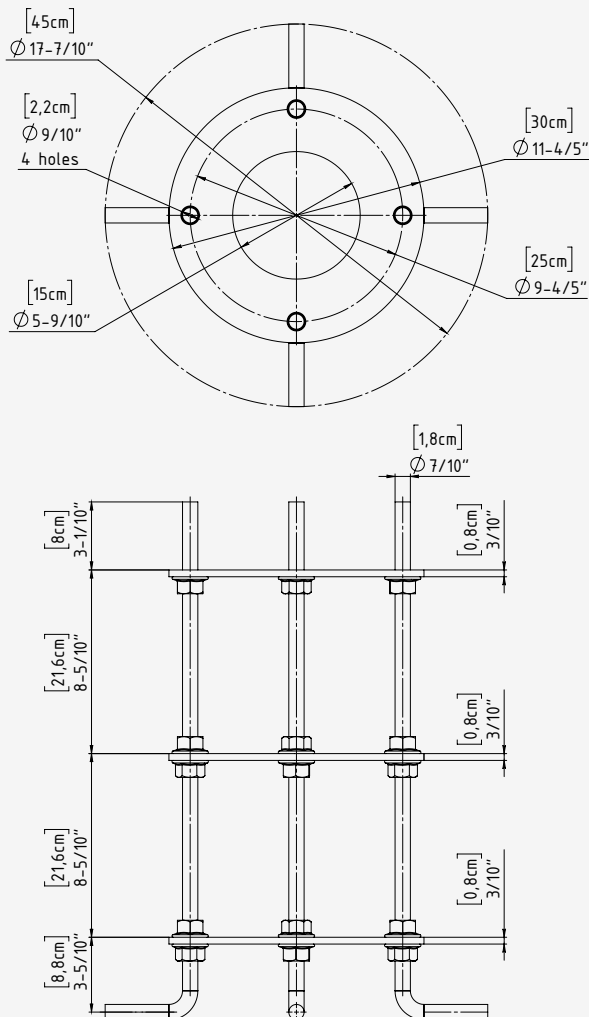
Standard Laser-Cut Shield Designs

Shields are available in both 180° and 360° formats, with options ranging from standardized perforation patterns to fully bespoke designs. Solid 180° configurations can also be provided.



Bolt Patterns

for Anchored Base Installation



| | |
|-----------------------------|--|
| Mounting Type | Anchored Base |
| Base Plate Material | Stainless Steel |
| Bolt Mounting Circle | Ø: 4-7/10" |
| Number of Anchor Kit | 4 equally holes (90° apart) |
| Anchor Kit Size | 3/8"-16 x 10" L-Hook concrete anchor bolt |

Installation Notes:

- Pour Concrete Footer and Set Anchors
- Prepare the concrete footer formwork. (The footer size should be determined by local frost depth and soil conditions.
- Recommended minimum size: 12" diameter x 20" depth.) Before pouring, assemble the galvanized steel L-bolt anchors with the included steel mounting plate.
- Position the assembly inside the formwork.
- As concrete is poured, insert the anchor assembly into the wet concrete using the mounting plate to ensure correct positioning and alignment.
- Allow clearance through the center opening for electrical wiring, and ensure future access to bolt heads if they will be concealed.
- Ensure all anchors are properly aligned and fully embedded. Allow the concrete to cure completely before proceeding.