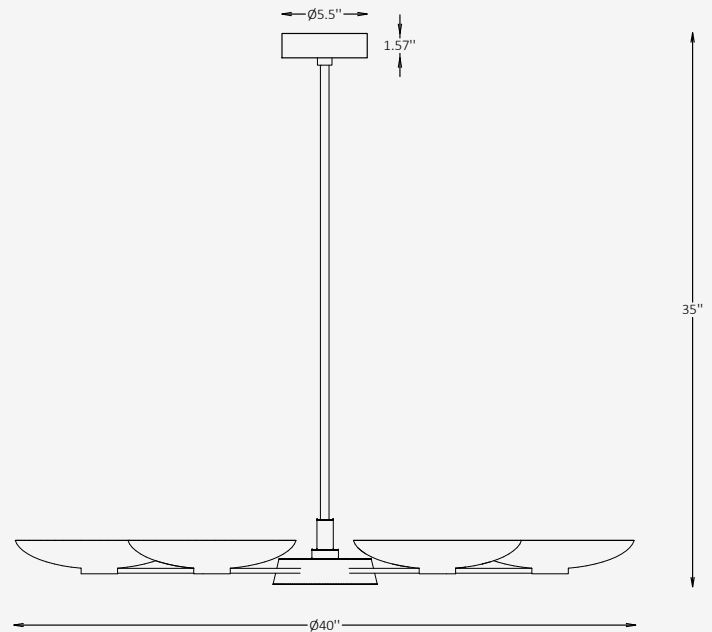




GENERAL INFORMATION

VESPERA is a sculptural pendant defined by its radial composition and softly elevated disc elements, creating a sense of balance, rhythm, and visual lightness. The design directs illumination upward, producing a gentle indirect glow that enhances the surrounding space without glare. Engineered for ambient lighting, VESPERA offers visual comfort while maintaining a strong architectural presence. Its clean geometry and customizable finishes make it suitable for residential interiors, hospitality settings, and contemporary environments where both atmosphere and design expression are essential.



SPECIFICATIONS

Material	Stainless Steel
Diameter	40"
Total Height	35"
Input Voltage	110-277V, 50-60 Hz
Light Source Type	LED
Power	10W / 20W / 30W / 40W
LED Output	90 lm/W
CCT	2700K / 3000K / 3500K / 4000K
CRI	90
Dimming & Driver	Integral, 0-10V
Light Distribution	Indirect
IP Rating	IP 20
Warranty	5 years
Finishes	34 RAL finishes 12 metallic finishes

CERTIFICATION



Project

Notes

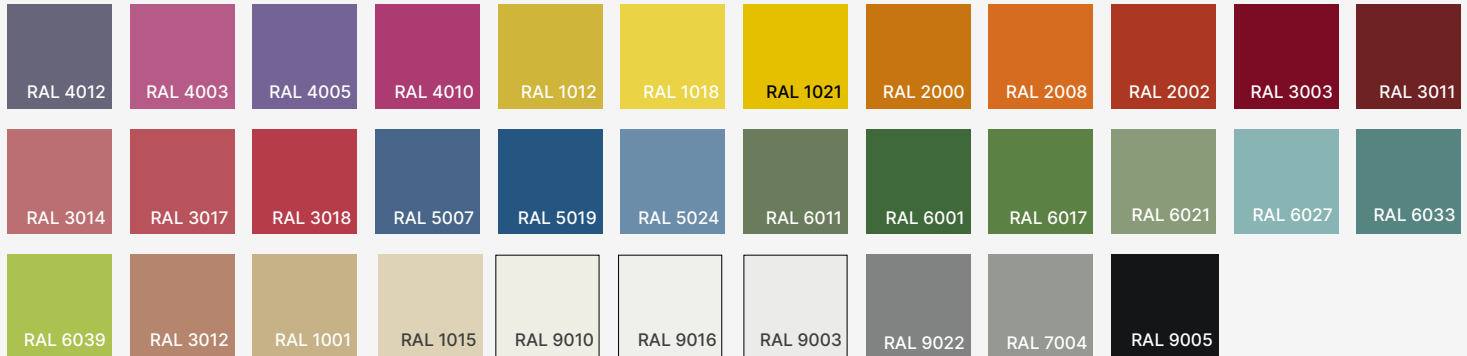
Ordering Information

Select one item from each category below. If your desired option is unavailable, please contact our team for support or custom solutions.

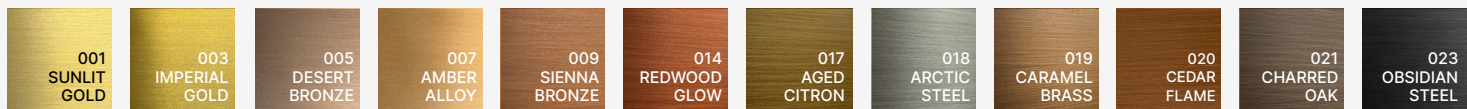
Code	Diameter Ø / Height	Wattage / Lumens	CCT
<input checked="" type="checkbox"/> VSP Pendant	<input type="checkbox"/> 40 40" / 35"	<input type="checkbox"/> 10 10W / 900 lm	<input type="checkbox"/> 27 2700K
	<input type="checkbox"/> Cus Custom on request	<input type="checkbox"/> 20 20W / 1800 lm	<input type="checkbox"/> 30 3000K
		<input type="checkbox"/> 30 30W / 2700 lm	<input type="checkbox"/> 35 3500K
		<input type="checkbox"/> 40 40W / 3600 lm	<input type="checkbox"/> 40 4000K
		<input type="checkbox"/> Cus Custom on request	<input type="checkbox"/> Cus Custom on request
Dimming	Body Finish Option	Shade Finish Option	Canopy Finish Option
<input type="checkbox"/> NN Non-Dimmable	<input type="checkbox"/> ST Standard	<input type="checkbox"/> ST Standard	<input type="checkbox"/> ST Standard
<input type="checkbox"/> DM 0-10V	<input type="checkbox"/> MC Metallic	<input type="checkbox"/> MC Metallic	<input type="checkbox"/> MC Metallic
	<input type="checkbox"/> Cus Custom on request	<input type="checkbox"/> Cus Custom on request	<input type="checkbox"/> Cus Custom on request

Finishes

Standard finishes



Metallic finishes



RAL K7 CLASSIC COLORS (80-95% GLOSS): RAL_ _ _ _

All RAL Classic colors are available with no setup fee.

On your specification submittal, choose your RAL color by entering the 4-digit RAL code (e.g., RAL 3003).

