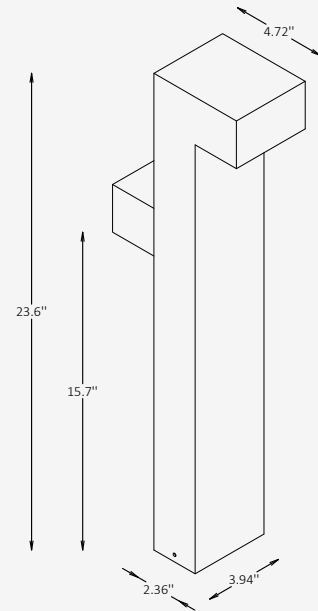




GENERAL INFORMATION

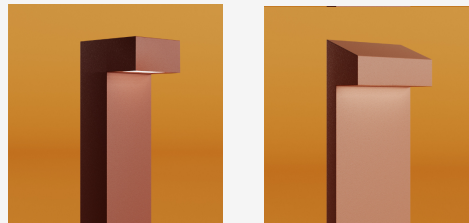
NODEX+ is a compact outdoor bollard luminaire that expands on the sharp geometric language of the NODEX design, featuring an offset dual-aperture configuration that reinforces its strong architectural presence. The solid aluminum body and precise cut-out detailing maintain a clean, disciplined form while ensuring long-term durability in exterior environments. Designed to deliver enhanced, controlled downward illumination with a symmetrical Type V distribution, NODEX+ is well suited for pathways, entrances, and landscape applications where increased light output, visual guidance, and glare control are essential.



SPECIFICATIONS

Material	Aluminium
Lens	Acrylic
Height	23.6"
Length	3.94"
Width	2.36"
Light Source Type	LED
Power	2 x 5W
Input Voltage	110-277V, 50-60 Hz
LED Output	120 lm/W
CCT	3000K / 4000K / 6000K
CRI	80
Dimming & Driver	Integral, 0-10V
Light Distribution	Type V – symmetrical, downward
IP Rating	IP 65
Warranty	5 years
Finishing	16 standard finishes

OTHER VERSIONS AVAILABLE



CERTIFICATION



Project

Notes

Ordering Information

Select one item from each category below. If your desired option is unavailable, please contact our team for support or custom solutions.

Code	Height / Length / Width	Material	CCT
<input checked="" type="checkbox"/> NDX+ Bollard	<input checked="" type="checkbox"/> 23 23.6" / 3.94" / 2.36"	<input checked="" type="checkbox"/> AL Aluminium	<input type="checkbox"/> 30 3000K <input type="checkbox"/> 40 4000K <input type="checkbox"/> 60 6000K
Wattage / Lumens	Light Distribution	Dimming	Body Finish Option
<input checked="" type="checkbox"/> 6 2 x 5 W / 2 x 600 lm	<input checked="" type="checkbox"/> LD5 Type V – symmetrical, downward	<input type="checkbox"/> NN Non-Dimmable <input type="checkbox"/> DM 0-10V	<input type="checkbox"/> ST Standard <input type="checkbox"/> Cus Custom on request*
Finish Type	Mounting		
<input type="checkbox"/> GL Glossy <input type="checkbox"/> MT Matte	<input checked="" type="checkbox"/> SM Surface-mounted		

Finishes

Standard finishes

