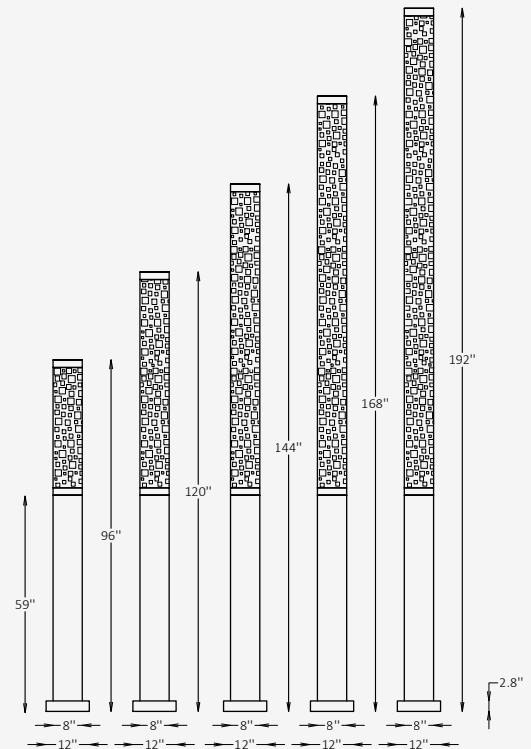




## GENERAL INFORMATION

The BRUME LASER C is an architectural column luminaire featuring a laser-cut aluminum outer shell over a frosted acrylic lens, delivering soft, patterned 360° Type V illumination. Ideal for large-scale landscape and pedestrian zones, it offers sculptural presence, efficient LED performance, and IP65-rated durability with a variety of heights, outputs, and finishes.



## SPECIFICATIONS

Material	Extruded Aluminum + PMMA
Lens	Frosted, Acrylic
Length / Width	8" x 8" / Custom on request*
Total Height	96" / 120" / 144" / 168" / 192"
Base Height	59"
Light Source Type	LED
Power	42W / 54W / 78W
Input Voltage	110-277V, 50-60 Hz
LED Output	48 lm/W
CCT	2200K / 2700K / 3000K / 4000K / 5000K
CRI	90
Dimming & Driver	Integral, 0-10V
Light Distribution	Type V 360° symmetrical light distribution
IP Rating	IP 65
Warranty	5 years
Finishes	16 standard finishes 8 wood-effect finishes 12 metallic finishes Custom on request*

## OTHER VERSIONS AVAILABLE



## CERTIFICATION



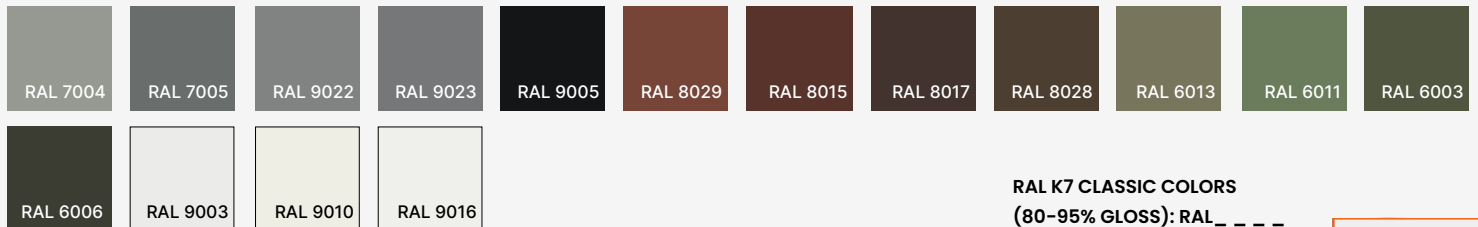
## Ordering Information

Select one item from each category below. If your desired option is unavailable, please contact our team for support or custom solutions.

Code	Length / Width	Height	Material
<input checked="" type="checkbox"/> <b>BRML-C</b> Column	<input type="checkbox"/> <b>8</b> 8" x 8" <input type="checkbox"/> <b>Cus</b> Custom on request	<input type="checkbox"/> <b>96</b> 96" <input type="checkbox"/> <b>168</b> 168" <input type="checkbox"/> <b>120</b> 120" <input type="checkbox"/> <b>192</b> 192" <input type="checkbox"/> <b>144</b> 144" <input type="checkbox"/> <b>Cus</b> Custom on request	<input checked="" type="checkbox"/> <b>AL</b> Extruded Aluminum
CCT	Wattage / Lumens	Light Distribution	Dimming
<input type="checkbox"/> <b>22</b> 2200K <input type="checkbox"/> <b>30</b> 3000K <input type="checkbox"/> <b>40</b> 4000K <input type="checkbox"/> <b>50</b> 5000K	<input type="checkbox"/> <b>20</b> 42 W / 2015 lm <input type="checkbox"/> <b>25</b> 54 W / 2590 lm <input type="checkbox"/> <b>37</b> 78 W / 3750 lm <input type="checkbox"/> <b>Cus</b> Custom on request	<input checked="" type="checkbox"/> <b>LD5</b> Type V  360° symmetrical light distribution	<input type="checkbox"/> <b>NN</b> Non-Dimmable <input type="checkbox"/> <b>DM</b> 0-10V
Body Finish Option	Base Finish Option	Mounting	Laser-Cut Shield
<input type="checkbox"/> <b>ST</b> Standard <input type="checkbox"/> <b>WE</b> Wood effect <input type="checkbox"/> <b>MC</b> Metallic <input type="checkbox"/> <b>Cus</b> Custom on request	<input type="checkbox"/> <b>ST</b> Standard <input type="checkbox"/> <b>WE</b> Wood effect <input type="checkbox"/> <b>MC</b> Metallic <input type="checkbox"/> <b>Cus</b> Custom on request	<input checked="" type="checkbox"/> <b>AB</b> Anchored Base	<input type="checkbox"/> <b>NB</b> Nebula <input type="checkbox"/> <b>PS</b> Pulse <input type="checkbox"/> <b>SR</b> Strata <input type="checkbox"/> <b>DR</b> Drift <input type="checkbox"/> <b>OB</b> Orbis <input type="checkbox"/> <b>FR</b> Fragment

## Finishes

### Standard finishes



**RAL K7 CLASSIC COLORS**  
(80-95% GLOSS): RAL\_ \_ \_ \_

All RAL Classic colors are available with no setup fee.

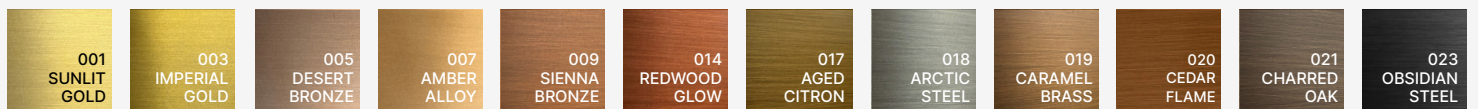
On your specification submittal, choose your RAL color by entering the 4-digit RAL code (e.g., RAL 3003).



### Wood-effect finishes



### Metallic finishes

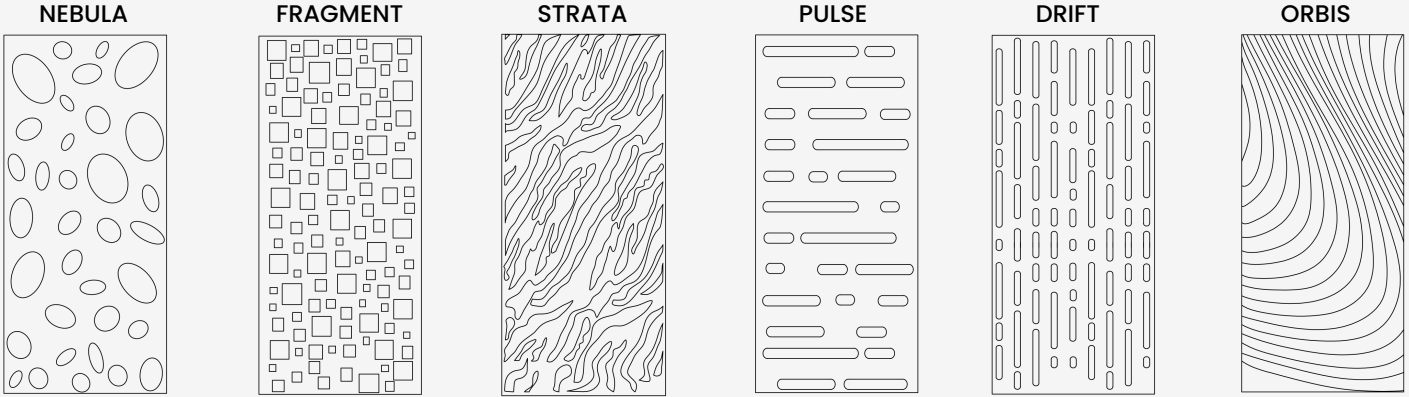


Project

Notes

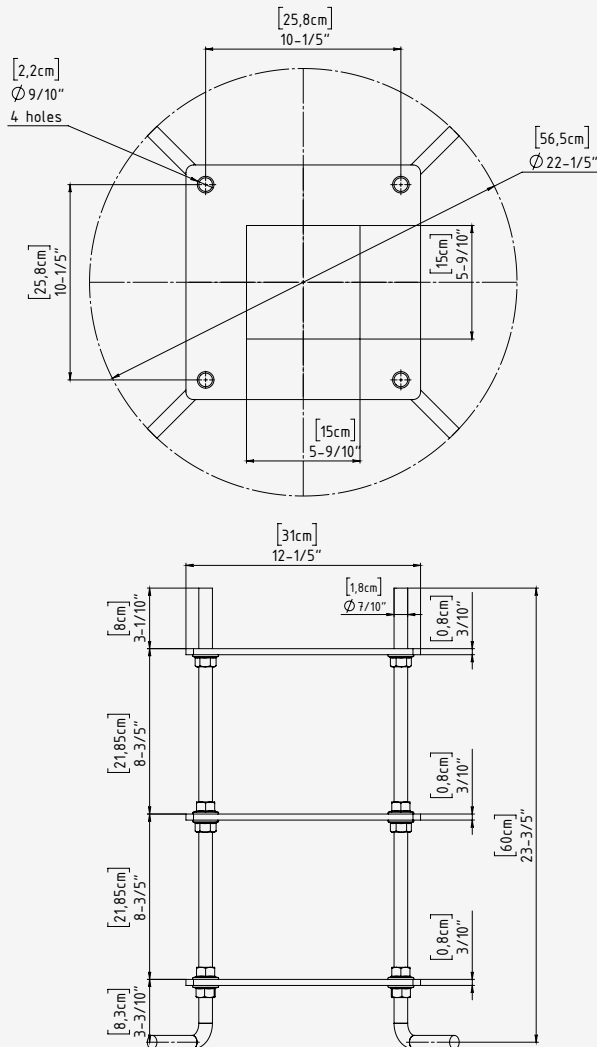
## Standard Laser-Cut Shield Designs

Shields are available in both 180° and 360° formats, with options ranging from standardized perforation patterns to fully bespoke designs. Solid 180° configurations can also be provided.



## Bolt Patterns

for Anchored Base Installation



<b>Mounting Type</b>	Anchored Base
<b>Base Plate Material</b>	Stainless Steel
<b>Bolt Mounting Circle</b>	Ø: 4-7/10"
<b>Number of Anchor Kit</b>	4 equally holes (90° apart)
<b>Anchor Kit Size</b>	3/8"-16 x 10" L-Hook concrete anchor bolt

### Installation Notes:

- Pour Concrete Footer and Set Anchors
- Prepare the concrete footer formwork. ( The footer size should be determined by local frost depth and soil conditions.
- Recommended minimum size: 12" diameter x 20" depth.) Before pouring, assemble the galvanized steel L-bolt anchors with the included steel mounting plate.
- Position the assembly inside the formwork.
- As concrete is poured, insert the anchor assembly into the wet concrete using the mounting plate to ensure correct positioning and alignment.
- Allow clearance through the center opening for electrical wiring, and ensure future access to bolt heads if they will be concealed.
- Ensure all anchors are properly aligned and fully embedded. Allow the concrete to cure completely before proceeding.