

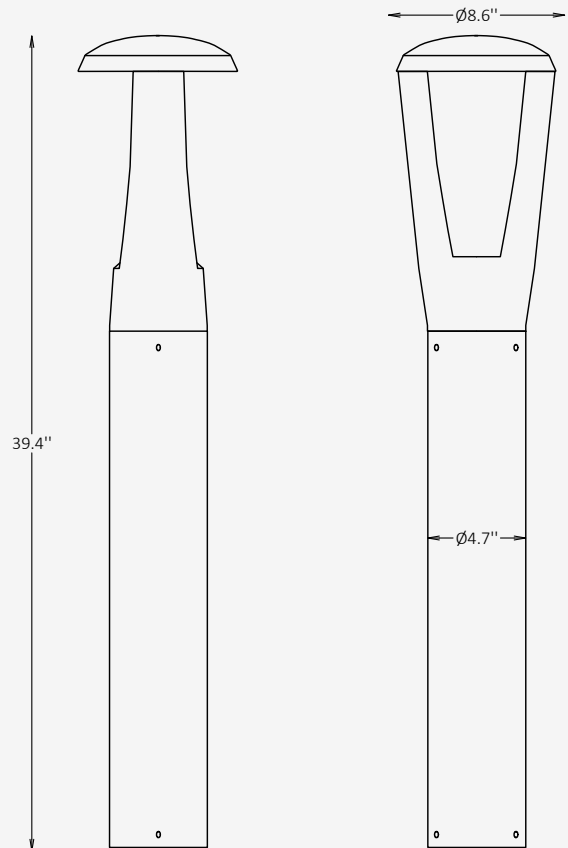


## GENERAL INFORMATION

The ARCLITE B is a contemporary architectural bollard designed to deliver uniform, glare-controlled pathway illumination with a refined, minimal aesthetic. Its streamlined aluminum body and open-frame head create a visually light profile while ensuring strong structural durability for exterior environments. Engineered with Type V symmetrical distribution, ARCLITE B provides consistent 360° coverage ideal for pathways, courtyards, residential landscapes, and commercial exteriors. With high-efficiency LED performance, weatherproof construction, and multiple finish options, it offers a reliable and elegant solution for modern outdoor lighting applications.

## SPECIFICATIONS

Material	Extruded Aluminum
Lens	N/A
Diameter	4.7"
Total Height	39.4"
Light Source Type	LED
Power	15W
Input Voltage	110-277V, 50-60 Hz
LED Output	70 lm/W
CCT	3000K
CRI	80
Dimming & Driver	Integral, 0-10V
Light Distribution	Type V 360° symmetrical downlight
IP Rating	IP 65
Warranty	5 years
Finishes	3 standard finishes Custom on request*



## CERTIFICATION



*Designed and produced by Your Light*

Project

Notes

## Ordering Information

Select one item from each category below. If your desired option is unavailable, please contact our team for support or custom solutions.

Code	Diameter Ø	Height	Material
<input checked="" type="checkbox"/> <b>ARL-B</b> Bollard	<input type="checkbox"/> <b>4</b> 4.7"	<input type="checkbox"/> <b>39</b> 39.4"	<input checked="" type="checkbox"/> <b>AL</b> Aluminum
	<input type="checkbox"/> <b>Cus</b> Custom on request	<input type="checkbox"/> <b>Cus</b> Custom on request	
CCT	Wattage / Lumens	Light Distribution	Dimming
<input type="checkbox"/> <b>30</b> 3000K	<input type="checkbox"/> <b>10</b> 15 W / 1050 lm	<input checked="" type="checkbox"/> <b>LD5</b> Type V 360° symmetrical downlight	<input type="checkbox"/> <b>NN</b> Non-Dimmable
<input type="checkbox"/> <b>Cus</b> Custom on request	<input type="checkbox"/> <b>Cus</b> Custom on request		<input type="checkbox"/> <b>DM</b> 0-10V
Finish Option	Mounting		
<input type="checkbox"/> <b>ST</b> Standard	<input type="checkbox"/> <b>SM</b> Surface-mounted		
<input type="checkbox"/> <b>Cus</b> Custom on request	<input type="checkbox"/> <b>Cus</b> Custom on request		

## Finishes

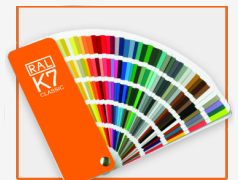
### Standard finishes



### RAL K7 CLASSIC COLORS (80-95% GLOSS): RAL\_ \_ \_ \_

All RAL Classic colors are available with no setup fee.

On your specification submittal, choose your RAL color by entering the 4-digit RAL code (e.g., RAL 3003).

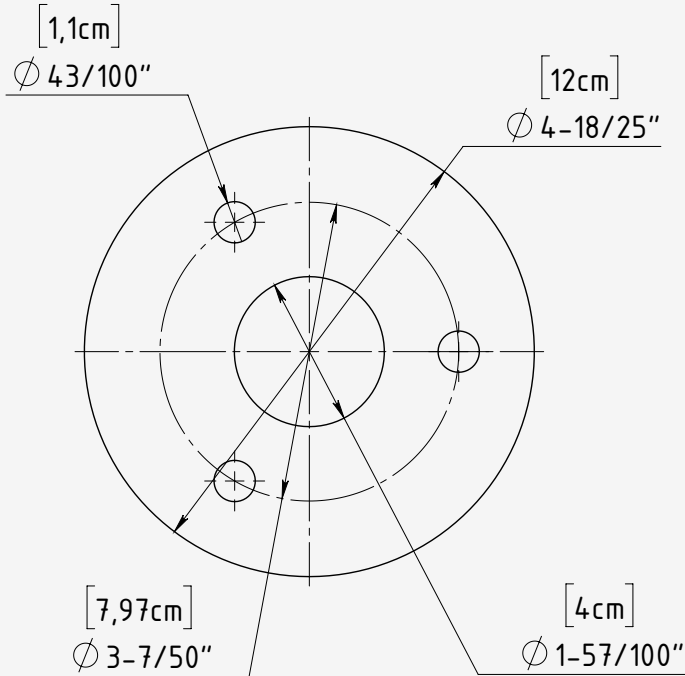


Project

Notes

## Bolt Patterns

for Surface-mounted Installation



<b>Mounting Type</b>	Surface-mounted
<b>Base Plate Material</b>	Stainless Steel
<b>Bolt Mounting Circle</b>	Ø: 3-7/50"
<b>Number of Anchor Bolt</b>	3 equally holes (120° apart)
<b>Bolt Size</b>	1/4"-20 x 3 1/4" concrete anchor bolt

### Installation Notes:

- Use a manufacturer-supplied base plate to position anchor bolts accurately.
- Ensure bolts are embedded vertically and aligned to avoid fixture tilt.
- Grouting under the base plate is recommended for leveling and load distribution.
- Allow clearance for wiring through the center opening and access to bolt heads if concealed.