

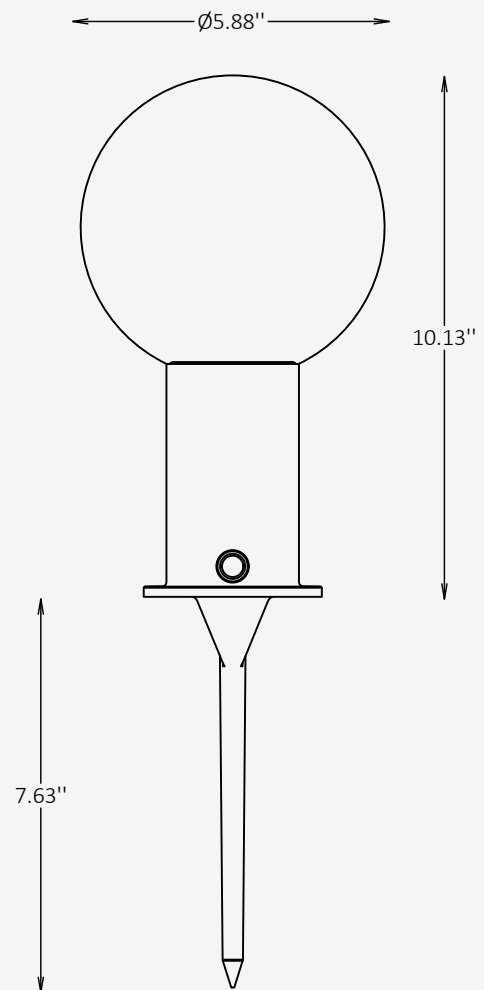


GENERAL INFORMATION

The TORV-G garden luminaire features a clean, architectural silhouette paired with soft 360° diffused illumination, making it ideal for pathways, landscaped areas, and outdoor environments. The frosted acrylic sphere delivers uniform, glare-free ambient lighting while maintaining a refined visual presence. Constructed from durable aluminum and designed for outdoor applications, TORV-G offers multiple wattage and color temperature options to suit various project requirements. A wide range of RAL, metallic, and wood-effect finishes allows seamless integration into residential, commercial, and hospitality settings. Designed to balance performance and aesthetics, TORV-G provides reliable outdoor illumination with a modern architectural character.

SPECIFICATIONS

Material	Aluminum, Acrylic
Diffuser	Acrylic, Frosted
Sphere Diameter	5.88"
Height	10.13"
Input Voltage	110-277V, 50-60 Hz
Light Source Type	LED
Power	2W / 5W / 8W
LED Output	120 lm/W
CCT	2700K / 3000K / 3500K / 4000K / 5000K
CRI	80
Dimming & Driver	Integral, 0-10V
Light Distribution	360°, Diffused
IP Rating	IP 65
Warranty	5 years
Finishes	16 RAL finishes 8 wood-effect finishes 12 metallic finishes Custom on request*



CERTIFICATION



Designed and produced by Your Light

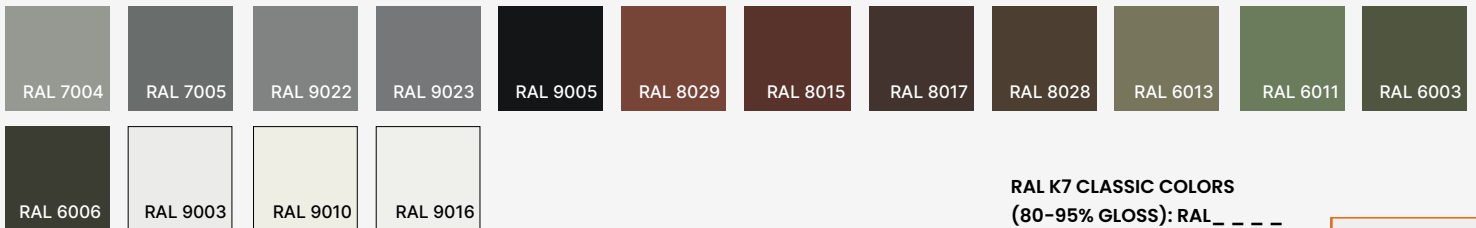
Ordering Information

Select one item from each category below. If your desired option is unavailable, please contact our team for support or custom solutions.

Code	Sphere Diameter Ø / Body Height	Material	Wattage / Lumens
<input checked="" type="checkbox"/> TRV-B Garden Lights	<input type="checkbox"/> 10 5.88" / 10.13"	<input type="checkbox"/> ALR Aluminum, Acrylic	<input type="checkbox"/> 2 2W / 240 lm
	<input type="checkbox"/> Cus Custom on request	<input type="checkbox"/> Cus Custom on request	<input type="checkbox"/> 5 5W / 600 lm
			<input type="checkbox"/> 8 8W / 960 lm
			<input type="checkbox"/> Cus Custom on request
CCT	Light Distribution	Dimming	Body Finish Option
<input type="checkbox"/> 27 2700K	<input checked="" type="checkbox"/> LD36 360°, Diffused	<input type="checkbox"/> NN Non-Dimmable	<input type="checkbox"/> ST Standard
<input type="checkbox"/> 30 3000K		<input type="checkbox"/> DM 0-10V	<input type="checkbox"/> WE Wood effect
<input type="checkbox"/> 35 3500K			<input type="checkbox"/> MC Metallic
<input type="checkbox"/> 40 4000K			<input type="checkbox"/> Cus Custom on request
<input type="checkbox"/> 50 5000K			
Mounting			
<input type="checkbox"/> GS Ground Spike (included)			
<input type="checkbox"/> Cus Custom on request			

Finishes

Standard finishes



RAL K7 CLASSIC COLORS

(80-95% GLOSS): RAL_ _ _ _

All RAL Classic colors are available with no setup fee.

On your specification submittal, choose your RAL color by entering the 4-digit RAL code (e.g., RAL 3003).



Wood-effect finishes



Metallic finishes

