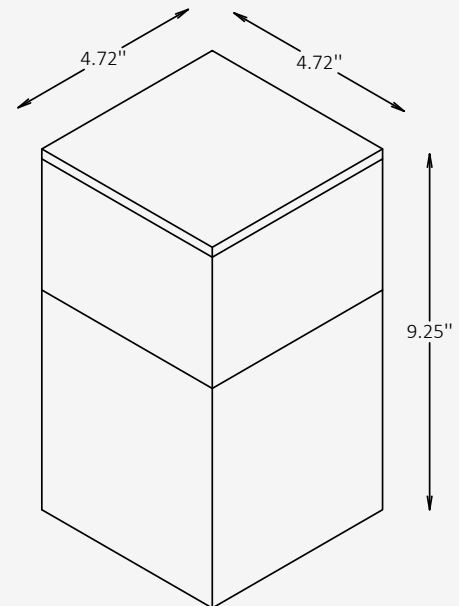




GENERAL INFORMATION

BRIQ G is a low-profile outdoor bollard luminaire defined by its compact cubic form and clear architectural proportions. The solid aluminum housing and continuous luminous top create a grounded, monolithic presence while maintaining visual simplicity and durability for exterior use. Designed to deliver uniform ambient illumination with a symmetrical Type V, 360° light distribution, BRIQ G is ideal for courtyards, terraces, pathways, and landscape settings where subtle guidance, visual comfort, and a refined contemporary character are required.



SPECIFICATIONS

Material	Aluminium
Lens	Acrylic
Height	9.25"
Length	4.72"
Width	4.72"
Light Source Type	LED
Power	5W
Input Voltage	110-277V, 50-60 Hz
LED Output	120 lm/W
CCT	3000K / 4000K / 6000K
CRI	80
Dimming & Driver	Integral, 0-10V
Light Distribution	Type V 360° symmetrical
IP Rating	IP 65
Warranty	5 years
Finishing	16 standard finishes

OTHER VERSIONS AVAILABLE



CERTIFICATION



Project

Notes

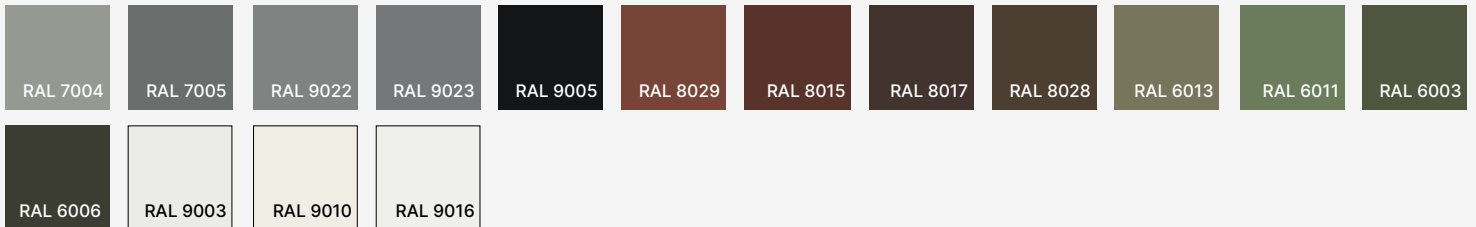
Ordering Information

Select one item from each category below. If your desired option is unavailable, please contact our team for support or custom solutions.

Code	Height / Length / Width	Material	CCT
<input checked="" type="checkbox"/> BRQ-G Bollard	<input checked="" type="checkbox"/> 9 9.25" / 4.72" / 4.72"	<input checked="" type="checkbox"/> AL Aluminium	<input type="checkbox"/> 30 3000K <input type="checkbox"/> 40 4000K <input type="checkbox"/> 60 6000K
Wattage / Lumens	Light Distribution	Dimming	Body Finish Option
<input checked="" type="checkbox"/> 6 5 W / 600 lm	<input checked="" type="checkbox"/> LD5 Type V 360° symmetrical	<input type="checkbox"/> NN Non-Dimmable <input type="checkbox"/> DM 0-10V	<input type="checkbox"/> ST Standard <input type="checkbox"/> Cus Custom on request
Finish Type	Mounting		
<input type="checkbox"/> GL Glossy <input type="checkbox"/> MT Matte	<input checked="" type="checkbox"/> SM Surface-mounted		

Finishes

Standard finishes



RAL K7 CLASSIC COLORS (80-95% GLOSS): RAL_ _ _ _

All RAL Classic colors are available with no setup fee.

On your specification submittal, choose your RAL color by entering the 4-digit RAL code (e.g., RAL 3003).

