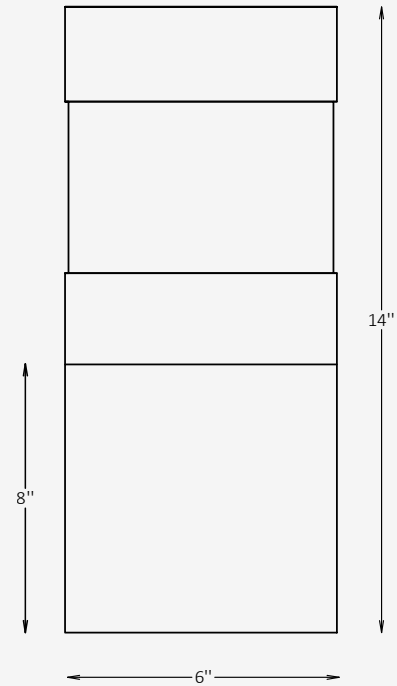




GENERAL INFORMATION

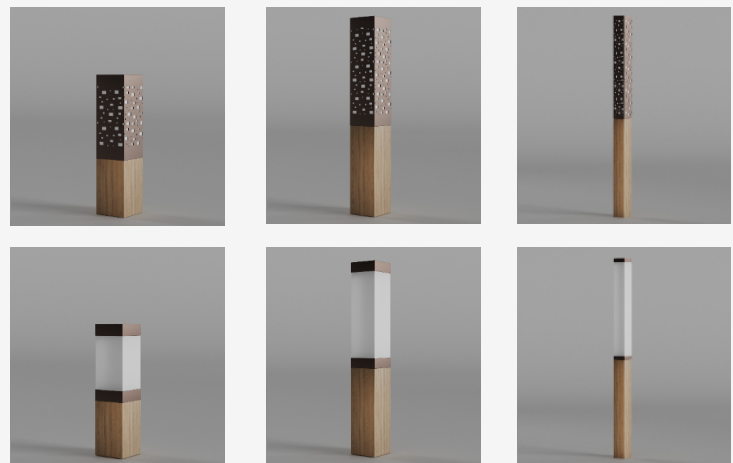
The BRUME G is a low-profile garden bollard designed for ambient pathway and landscape lighting, featuring a frosted acrylic diffuser that delivers soft, 360° Type V symmetrical illumination. With IP65 protection, multiple finish and CCT options, and integral 0-10V dimming, it offers both aesthetic refinement and reliable performance in outdoor environments.



SPECIFICATIONS

Material	Extruded Aluminum + PMMA
Lens	Frosted, Acrylic
Length / Width	6" x 6" / Custom on request*
Total Height	14"
Base Height	8"
Light Source Type	LED
Power	9.5W / 17W
Input Voltage	110-277V, 50-60 Hz
LED Output	48 lm/W
CCT	2200K / 2700K / 3000K / 4000K / 5000K
CRI	90
Dimming & Driver	Integral, 0-10V
Light Distribution	Type V 360° symmetrical light distribution
IP Rating	IP 65
Warranty	5 years
Finishes	16 standard finishes 8 wood-effect finishes 12 metallic finishes Custom on request*

OTHER VERSIONS AVAILABLE



CERTIFICATION



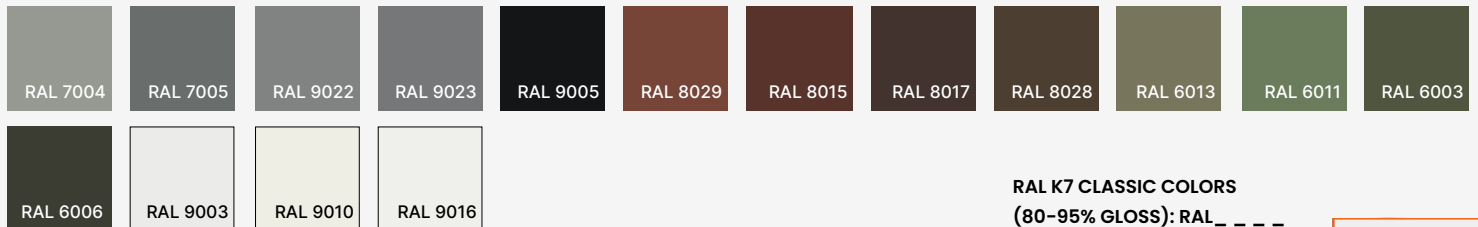
Ordering Information

Select one item from each category below. If your desired option is unavailable, please contact our team for support or custom solutions.

Code	Length / Width	Height	Material
<input checked="" type="checkbox"/> BRM-G Garden	<input type="checkbox"/> 6 6" x 6" <input type="checkbox"/> Cus Custom on request	<input type="checkbox"/> 14 14" <input type="checkbox"/> Cus Custom on request	<input checked="" type="checkbox"/> AL Extruded Aluminum
CCT	Wattage / Lumens	Light Distribution	Dimming
<input type="checkbox"/> 22 2200K	<input type="checkbox"/> 45 9,5 W / 450 lm	<input checked="" type="checkbox"/> LD5 Type V	<input type="checkbox"/> NN Non-Dimmable
<input type="checkbox"/> 30 3000K	<input type="checkbox"/> 81 17 W / 815 lm	360° symmetrical light distribution	<input type="checkbox"/> DM 0-10V
<input type="checkbox"/> 40 4000K	<input type="checkbox"/> Cus Custom on request		
<input type="checkbox"/> 50 5000K			
Body Finish Options	Base Finish Options	Mounting	
<input type="checkbox"/> ST Standard	<input type="checkbox"/> ST Standard	<input checked="" type="checkbox"/> SM Surface-mounted	
<input type="checkbox"/> WE Wood effect	<input type="checkbox"/> WE Wood effect		
<input type="checkbox"/> MC Metallic	<input type="checkbox"/> MC Metallic		
<input type="checkbox"/> Cus Custom on request	<input type="checkbox"/> Cus Custom on request		

Finishes

Standard finishes



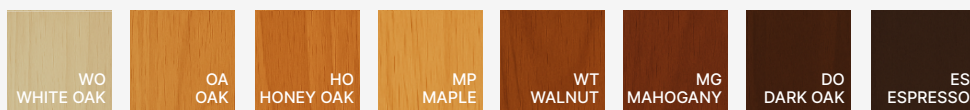
RAL K7 CLASSIC COLORS
(80-95% GLOSS): RAL_ _ _ _

All RAL Classic colors are available with no setup fee.

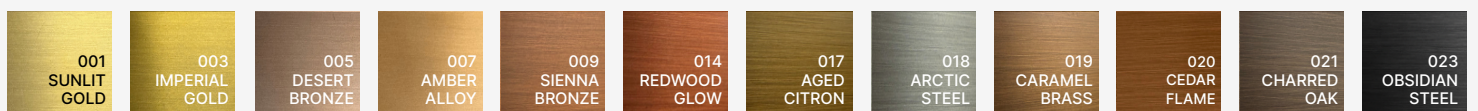
On your specification submittal, choose your RAL color by entering the 4-digit RAL code (e.g., RAL 3003).



Wood-effect finishes



Metallic finishes

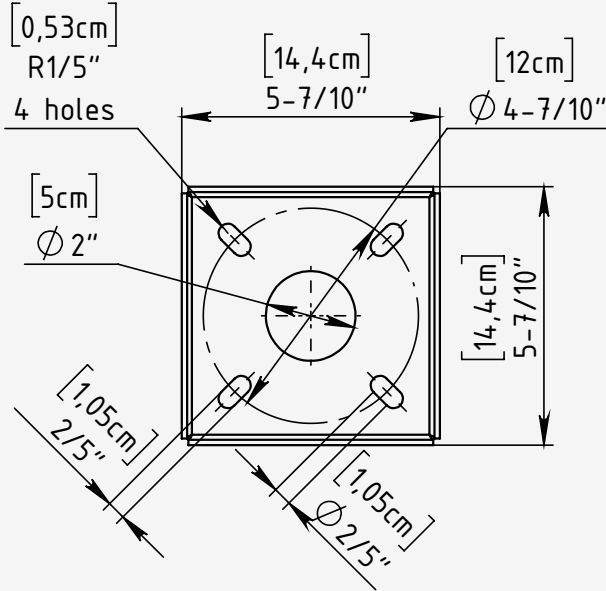


Project

Notes

Bolt Patterns

for Surface-mounted Installation



Mounting Type	Surface-mounted
Base Plate Material	Stainless Steel
Bolt Mounting Circle	Ø: 4-7/10"
Number of Anchor Bolt	4 equally holes (90° apart)
Bolt Size	1/4"-20 x 3 1/4" concrete anchor bolt

Installation Notes:

- Use a manufacturer-supplied base plate to position anchor bolts accurately.
- Ensure bolts are embedded vertically and aligned to avoid fixture tilt.
- Grouting under the base plate is recommended for leveling and load distribution.
- Allow clearance for wiring through the center opening and access to bolt heads if concealed.