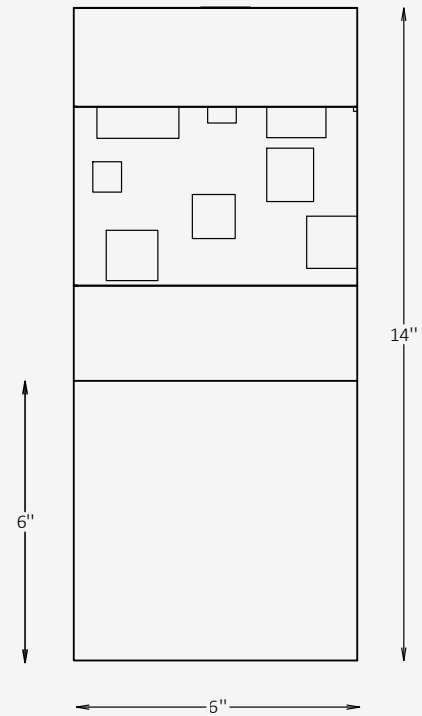




## GENERAL INFORMATION

The BRUME LASER G is a decorative garden bollard featuring a laser-cut aluminum shade over a frosted acrylic diffuser, creating patterned 360° ambient illumination. Combining sculptural aesthetics with functional light output, it offers IP65 protection, dimmable LED performance, and finish options suited for modern outdoor environments.



## SPECIFICATIONS

Material	Extruded Aluminum + PMMA
Lens	Frosted, Acrylic
Length / Width	6" x 6" / Custom on request*
Total Height	14"
Base Height	8"
Light Source Type	LED
Power	9.5W / 17W
Input Voltage	110-277V, 50-60 Hz
LED Output	48 lm/W
CCT	2200K / 2700K / 3000K / 4000K / 5000K
CRI	90
Dimming & Driver	Integral, 0-10V
Light Distribution	Type V 360° symmetrical light distribution
IP Rating	IP 65
Warranty	5 years
Finishes	16 standard finishes 8 wood-effect finishes 12 metallic finishes Custom on request*

## OTHER VERSIONS AVAILABLE



## CERTIFICATION



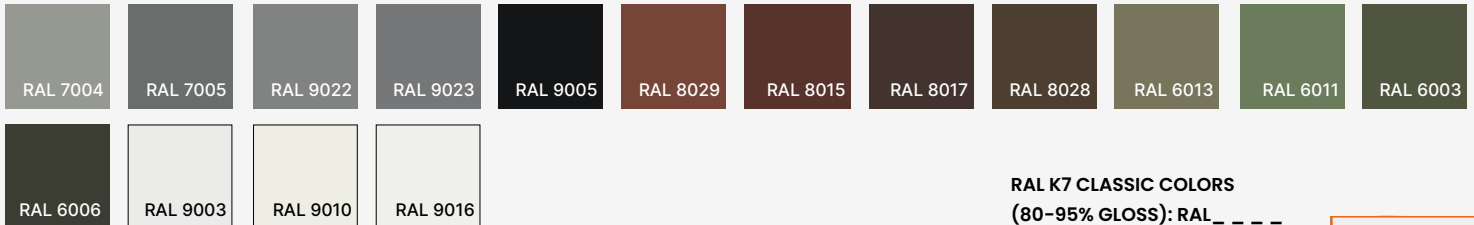
## Ordering Information

Select one item from each category below. If your desired option is unavailable, please contact our team for support or custom solutions.

Code	Length / Width	Height	Material
<input checked="" type="checkbox"/> <b>BRML-G</b> Garden	<input type="checkbox"/> <b>6</b> 6" x 6" <input type="checkbox"/> <b>Cus</b> Custom on request	<input type="checkbox"/> <b>14</b> 14" <input type="checkbox"/> <b>Cus</b> Custom on request	<input checked="" type="checkbox"/> <b>AL</b> Extruded Aluminum
CCT	Wattage / Lumens	Light Distribution	Dimming
<input type="checkbox"/> <b>22</b> 2200K	<input type="checkbox"/> <b>45</b> 9,5 W / 450 lm	<input checked="" type="checkbox"/> <b>LD5</b> Type V	<input type="checkbox"/> <b>NN</b> Non-Dimmable
<input type="checkbox"/> <b>30</b> 3000K	<input type="checkbox"/> <b>81</b> 17 W / 815 lm	360° symmetrical light distribution	<input type="checkbox"/> <b>DM</b> 0-10V
<input type="checkbox"/> <b>40</b> 4000K	<input type="checkbox"/> <b>Cus</b> Custom on request		
<input type="checkbox"/> <b>50</b> 5000K			
Body Finish Options	Base Finish Options	Mounting	Laser-Cut Pattern
<input type="checkbox"/> <b>ST</b> Standard	<input type="checkbox"/> <b>ST</b> Standard	<input checked="" type="checkbox"/> <b>SM</b> Surface-mounted	<input type="checkbox"/> <b>NB</b> Nebula
<input type="checkbox"/> <b>WE</b> Wood effect	<input type="checkbox"/> <b>WE</b> Wood effect		<input type="checkbox"/> <b>PS</b> Pulse
<input type="checkbox"/> <b>MC</b> Metallic	<input type="checkbox"/> <b>MC</b> Metallic		<input type="checkbox"/> <b>SR</b> Strata
<input type="checkbox"/> <b>Cus</b> Custom on request	<input type="checkbox"/> <b>Cus</b> Custom on request		<input type="checkbox"/> <b>OB</b> Orbis
			<input type="checkbox"/> <b>FR</b> Fragment

## Finishes

### Standard finishes



#### RAL K7 CLASSIC COLORS

(80-95% GLOSS): RAL\_ \_ \_ \_

All RAL Classic colors are available with no setup fee.

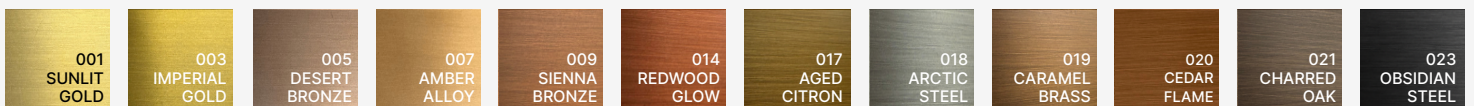
On your specification submittal, choose your RAL color by entering the 4-digit RAL code (e.g., RAL 3003).



### Wood-effect finishes

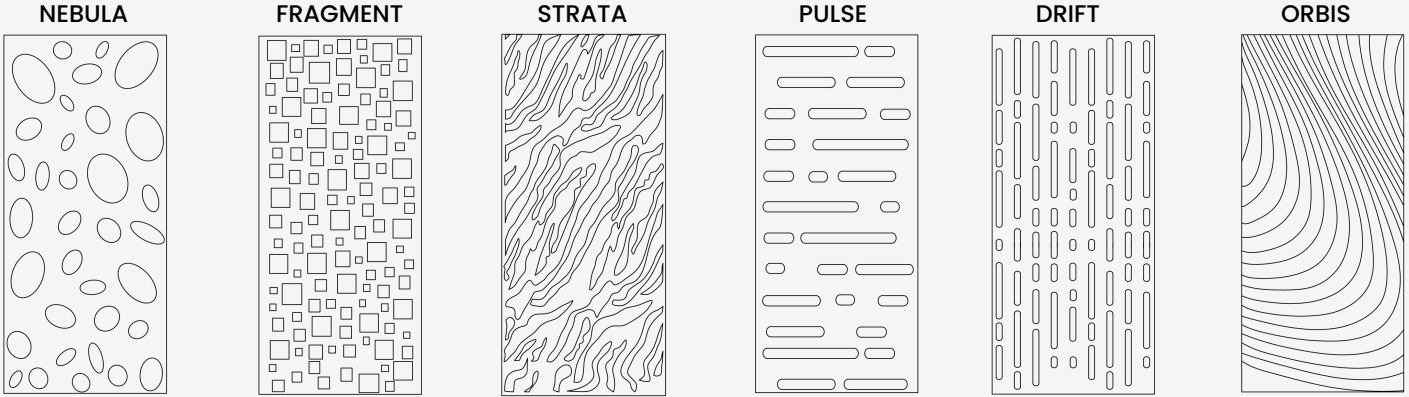


### Metallic finishes



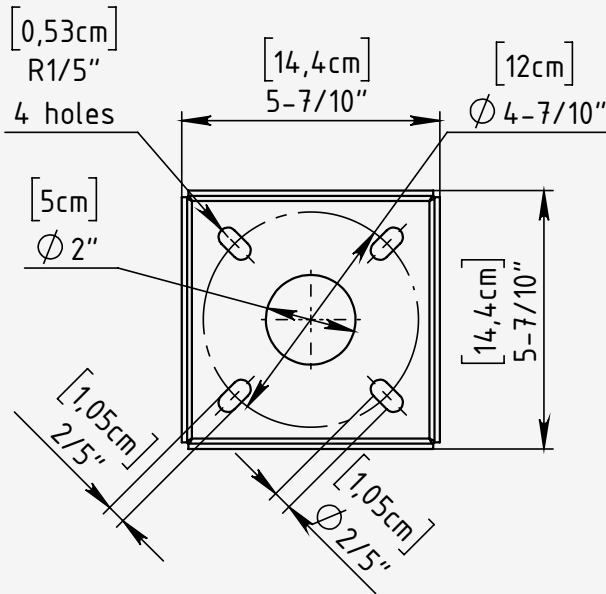
## Standard Laser-Cut Shield Designs

Shields are available in both 180° and 360° formats, with options ranging from standardized perforation patterns to fully bespoke designs. Solid 180° configurations can also be provided.



## Bolt Patterns

for Surface-mounted Installation



<b>Mounting Type</b>	Surface-mounted
<b>Base Plate Material</b>	Stainless Steel
<b>Bolt Mounting Circle</b>	$\varnothing$ : 4-7/10"
<b>Number of Anchor Bolt</b>	4 equally holes (90° apart)
<b>Bolt Size</b>	1/4"-20 x 3 1/4" concrete anchor bolt

### Installation Notes:

- Use a manufacturer-supplied base plate to position anchor bolts accurately.
- Ensure bolts are embedded vertically and aligned to avoid fixture tilt.
- Grouting under the base plate is recommended for leveling and load distribution.
- Allow clearance for wiring through the center opening and access to bolt heads if concealed.