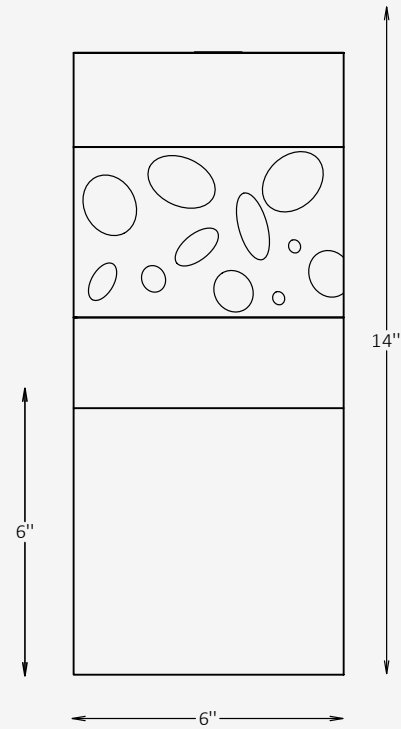




GENERAL INFORMATION

The THORNE LASER G is a decorative garden bollard featuring a laser-cut aluminum shade over a frosted acrylic diffuser, creating patterned 360° ambient illumination. Combining sculptural aesthetics with functional light output, it offers IP65 protection, dimmable LED performance, and finish options suited for modern outdoor environments.



SPECIFICATIONS

Material	Extruded Aluminum + PMMA
Lens	Frosted, Acrylic
Diameter	6" / Custom on request*
Total Height	14"
Base Height	8"
Light Source Type	LED
Power	9.5W / 17W
Input Voltage	110-277V, 50-60 Hz
LED Output	48 lm/W
CCT	2200K / 2700K / 3000K / 4000K / 5000K
CRI	90
Dimming & Driver	Integral, 0-10V
Light Distribution	Type V 360° symmetrical light distribution
IP Rating	IP 65
Warranty	5 years
Finishes	16 standard finishes 8 wood-effect finishes 12 metallic finishes Custom on request*

OTHER VERSIONS AVAILABLE



CERTIFICATION



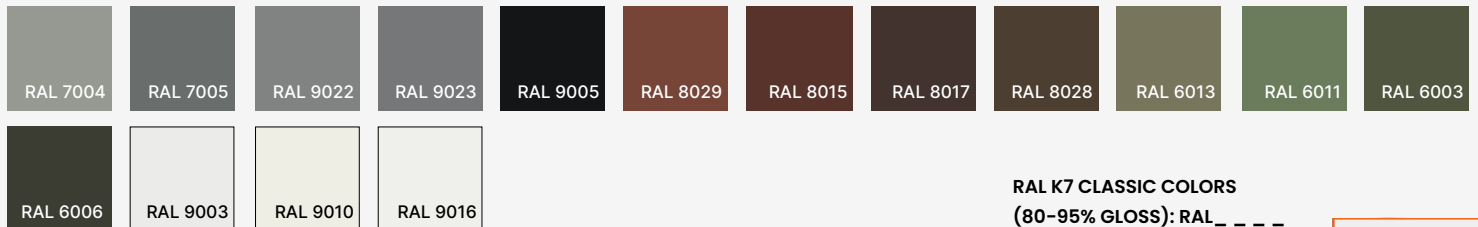
Ordering Information

Select one item from each category below. If your desired option is unavailable, please contact our team for support or custom solutions.

Code	Diameter Ø	Height	Material
<input checked="" type="checkbox"/> THRL-G Garden	<input type="checkbox"/> 6 6"	<input type="checkbox"/> 14 14"	<input checked="" type="checkbox"/> AL Extruded Aluminum
	<input type="checkbox"/> Cus Custom on request	<input type="checkbox"/> Cus Custom on request	
CCT	Wattage / Lumens	Light Distribution	Dimming
<input type="checkbox"/> 22 2200K	<input type="checkbox"/> 45 9,5 W / 450 lm	<input checked="" type="checkbox"/> LD5 Type V	<input type="checkbox"/> NN Non-Dimmable
<input type="checkbox"/> 30 3000K	<input type="checkbox"/> 81 17 W / 815 lm	360° symmetrical light distribution	<input type="checkbox"/> DM 0-10V
<input type="checkbox"/> 40 4000K	<input type="checkbox"/> Cus Custom on request		
<input type="checkbox"/> 50 5000K			
Body Finish Options	Base Finish Options	Mounting	Laser-Cut Pattern
<input type="checkbox"/> ST Standard	<input type="checkbox"/> ST Standard	<input checked="" type="checkbox"/> SM Surface-mounted	<input type="checkbox"/> NB Nebula
<input type="checkbox"/> WE Wood effect	<input type="checkbox"/> WE Wood effect		<input type="checkbox"/> PS Pulse
<input type="checkbox"/> MC Metallic	<input type="checkbox"/> MC Metallic		<input type="checkbox"/> SR Strata
<input type="checkbox"/> Cus Custom on request	<input type="checkbox"/> Cus Custom on request		<input type="checkbox"/> OB Orbis
			<input type="checkbox"/> FR Fragment

Finishes

Standard finishes



RAL K7 CLASSIC COLORS

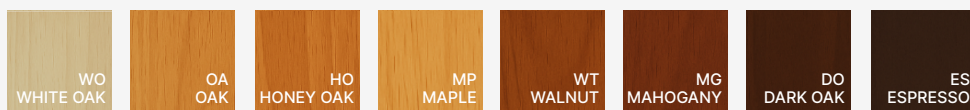
(80-95% GLOSS): RAL_ _ _ _

All RAL Classic colors are available with no setup fee.

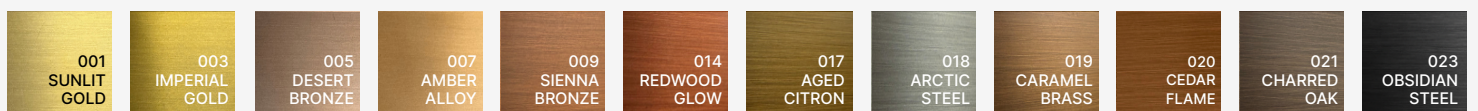
On your specification submittal, choose your RAL color by entering the 4-digit RAL code (e.g., RAL 3003).



Wood-effect finishes

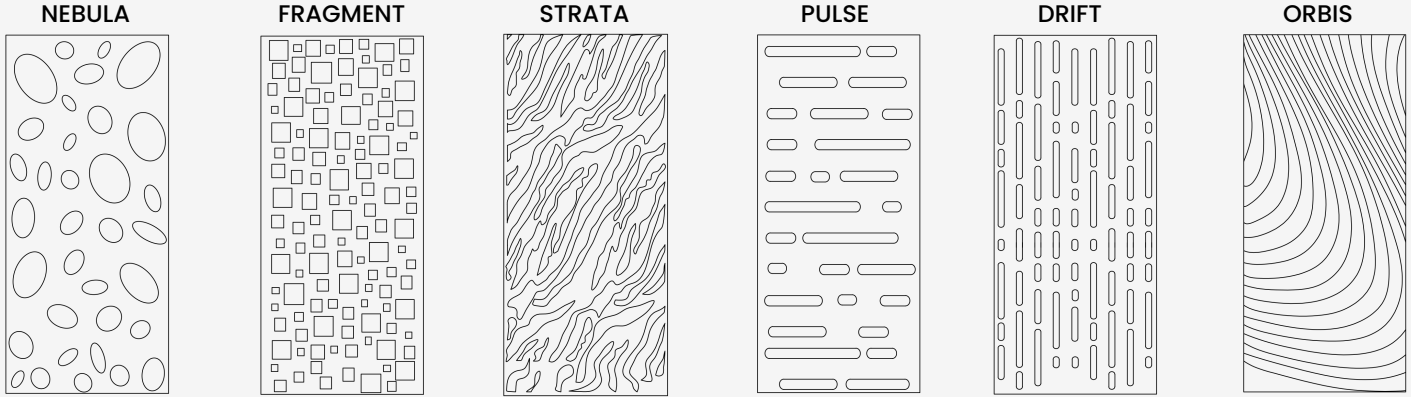


Metallic finishes



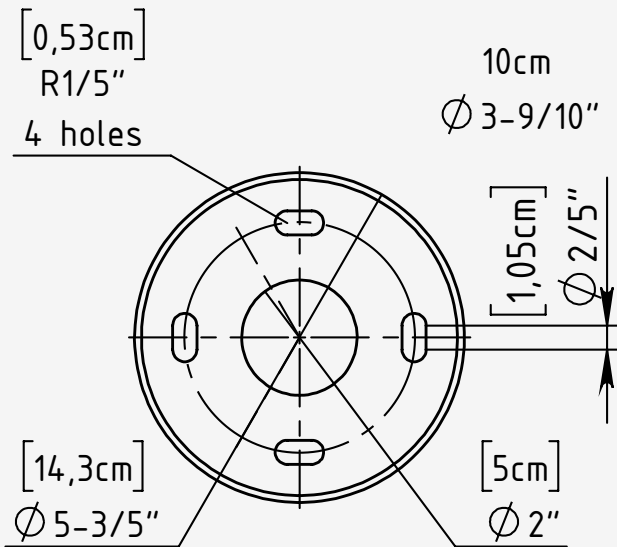
Standard Laser-Cut Shield Designs

Shields are available in both 180° and 360° formats, with options ranging from standardized perforation patterns to fully bespoke designs. Solid 180° configurations can also be provided.



Bolt Patterns

for Surface-mounted Installation



Mounting Type	Surface-mounted
Base Plate Material	Stainless Steel
Bolt Mounting Circle	Ø: 4-7/10"
Number of Anchor Bolt	4 equally holes (90° apart)
Bolt Size	1/4"-20 x 3 1/4" concrete anchor bolt

Installation Notes:

- Use a manufacturer-supplied base plate to position anchor bolts accurately.
- Ensure bolts are embedded vertically and aligned to avoid fixture tilt.
- Grouting under the base plate is recommended for leveling and load distribution.
- Allow clearance for wiring through the center opening and access to bolt heads if concealed.