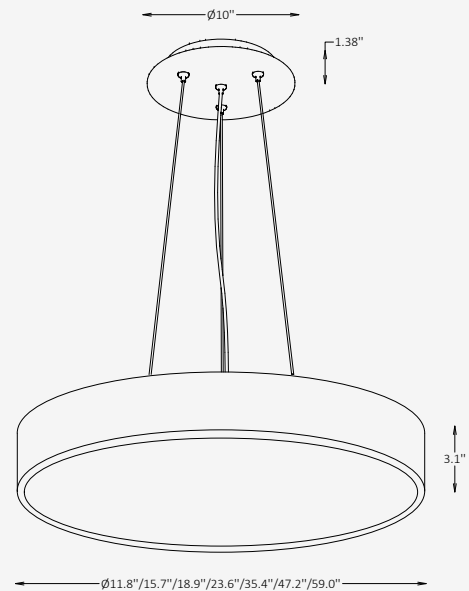




## GENERAL INFORMATION

RONEX SP is a modern circular pendant that combines minimal geometry with high-performance illumination. Crafted from precision-formed aluminum, the fixture delivers a clean, architectural presence while providing both direct and indirect lighting for balanced visual comfort. Its slim profile and wide range of diameters make it adaptable to various applications, from dining areas and workspaces to hospitality and commercial interiors. With efficient LED technology, multiple wattage options, and customizable finishes, RONEX SP offers a versatile lighting solution designed to integrate seamlessly into contemporary environments.



## SPECIFICATIONS

Material	Aluminum
Diffuser	Acrylic, Frosted
Diameter	11.8" / 15.7" / 18.9" / 23.6" / 35.4" / 47.2" / 59"
Height	3.1"
Input Voltage	110-277V
Light Source	LED
Power	15W / 20W / 25W / 40W / 90W / 180W / 220W
LED Output	85 lm/W
CCT	3000K / 3500K / 4000K
CRI	90
Dimming & Driver	Integral, 0-10V
Light Distribution	Direct / Direct + Indirect
IP Rating	IP 20
Warranty	5 years
Finishes	White / Black 23 RAL finishes

## OTHER VERSIONS AVAILABLE



## CERTIFICATION



## Ordering Information

Select one item from each category below. If your desired option is unavailable, please contact our team for support or custom solutions.

Code	Diameter Ø / Wattage / Lumens		CCT
<input checked="" type="checkbox"/> <b>RNX-SP</b> Pendant	<input type="checkbox"/> <b>11-D</b> 11.8" / 15W / ↓1275 lm	<input type="checkbox"/> <b>18-ID</b> 18.9" / 50W / ↓2550 lm + ↑1700 lm	<input type="checkbox"/> <b>30</b> 3000K
	<input type="checkbox"/> <b>15-D</b> 15.7" / 20W / ↓1700 lm	<input type="checkbox"/> <b>23-ID</b> 23.6" / 80W / ↓4250 lm + ↑2550 lm	<input type="checkbox"/> <b>35</b> 3500K
	<input type="checkbox"/> <b>18-D</b> 18.9" / 25W / ↓2125 lm	<input type="checkbox"/> <b>35-ID</b> 35.4" / 120W / ↓6120 lm + ↑4080 lm	<input type="checkbox"/> <b>40</b> 4000K
	<input type="checkbox"/> <b>23-D</b> 23.6" / 40W / ↓3400 lm	<input type="checkbox"/> <b>47-ID</b> 47.2" / 220W / ↓11,220 lm + ↑7480 lm	
	<input type="checkbox"/> <b>35-D</b> 35.4" / 90W / ↓7650 lm	<input type="checkbox"/> <b>59-ID</b> 59" / 220W / ↓11,220 lm + ↑7480 lm	
	<input type="checkbox"/> <b>47-D</b> 47.2" / 180W / ↓15,300 lm		
	<input type="checkbox"/> <b>59-D</b> 59.2" / 220W / ↓18,700 lm		
Dimming	Profile Finish Option	Canopy Finish Option	Cord Finish Option
<input type="checkbox"/> <b>NN</b> Non-Dimmable	<input type="checkbox"/> <b>ST</b> Standard	<input type="checkbox"/> <b>ST</b> Standard	<input type="checkbox"/> <b>SVW</b> White
<input type="checkbox"/> <b>DM</b> 0-10V	<input type="checkbox"/> <b>RAL</b> RAL finishes	<input type="checkbox"/> <b>RAL</b> RAL finishes	<input type="checkbox"/> <b>SVB</b> Black
Cord Length	Mounting		
<input type="checkbox"/> <b>L6</b> 59" (adjustable)	<input type="checkbox"/> <b>CT</b> Central Canopy Suspension		
<input type="checkbox"/> <b>Cus</b> Custom on request	<input type="checkbox"/> <b>MO</b> Multi-Point Suspension		

## Finishes

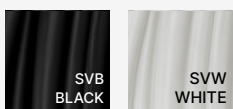
### Standard finishes



### RAL finishes



### Cord finishes



**RAL K7 CLASSIC COLORS (80-95% GLOSS): RAL\_ \_ \_ \_**

All RAL Classic colors are available

On your specification submittal, choose your RAL color by entering the 4-digit RAL code (e.g., RAL 3003).

