

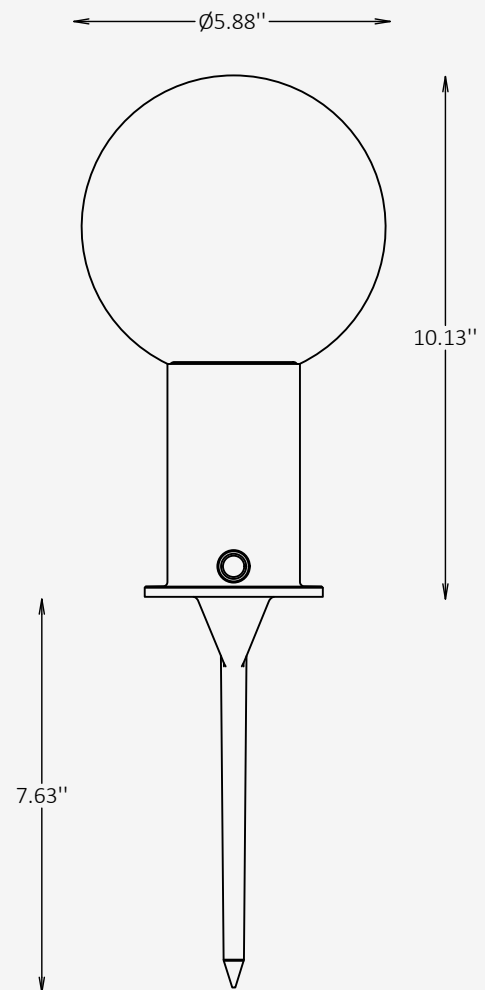


## GENERAL INFORMATION

The TORV-G garden luminaire features a clean, architectural silhouette paired with soft 360° diffused illumination, making it ideal for pathways, landscaped areas, and outdoor environments. The frosted acrylic sphere delivers uniform, glare-free ambient lighting while maintaining a refined visual presence. Constructed from durable aluminum and designed for outdoor applications, TORV-G offers multiple wattage and color temperature options to suit various project requirements. A wide range of RAL, metallic, and wood-effect finishes allows seamless integration into residential, commercial, and hospitality settings. Designed to balance performance and aesthetics, TORV-G provides reliable outdoor illumination with a modern architectural character.

## SPECIFICATIONS

Material	Aluminum, Acrylic
Diffuser	Acrylic, Frosted
Sphere Diameter	5.88"
Height	10.13"
Input Voltage	110-277V, 50-60 Hz
Light Source Type	LED
Power	2W / 5W / 8W
LED Output	120 lm/W
CCT	2700K / 3000K / 3500K / 4000K / 5000K
CRI	80
Dimming & Driver	Integral, 0-10V
Light Distribution	360°, Diffused
IP Rating	IP 65
Warranty	5 years
Finishes	16 RAL finishes 8 wood-effect finishes 12 metallic finishes Custom on request*



## CERTIFICATION



*Designed and produced by Your Light*

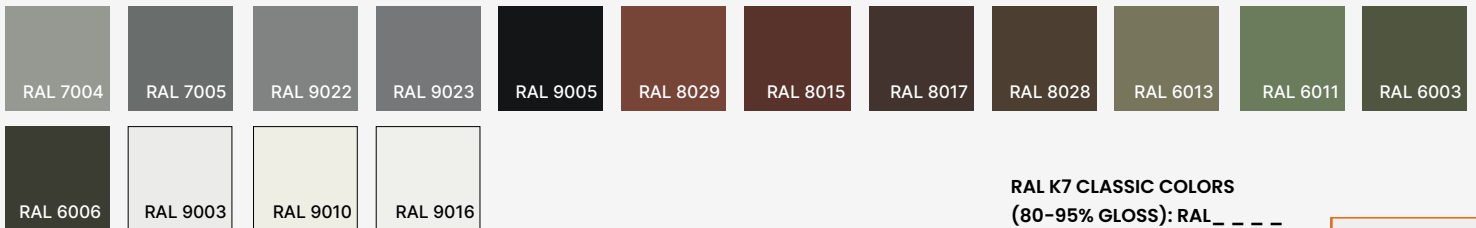
## Ordering Information

Select one item from each category below. If your desired option is unavailable, please contact our team for support or custom solutions.

Code	Sphere Diameter Ø / Body Height	Material	Wattage / Lumens
<input checked="" type="checkbox"/> <b>TRV-G</b> Garden Lights	<input type="checkbox"/> <b>10</b> 5.88" / 10.13"	<input type="checkbox"/> <b>ALR</b> Aluminum, Acrylic	<input type="checkbox"/> <b>2</b> 2W / 240 lm
	<input type="checkbox"/> <b>Cus</b> Custom on request	<input type="checkbox"/> <b>Cus</b> Custom on request	<input type="checkbox"/> <b>5</b> 5W / 600 lm
			<input type="checkbox"/> <b>8</b> 8W / 960 lm
			<input type="checkbox"/> <b>Cus</b> Custom on request
CCT	Light Distribution	Dimming	Body Finish Option
<input type="checkbox"/> <b>27</b> 2700K	<input checked="" type="checkbox"/> <b>LD36</b> 360°, Diffused	<input type="checkbox"/> <b>NN</b> Non-Dimmable	<input type="checkbox"/> <b>ST</b> Standard
<input type="checkbox"/> <b>30</b> 3000K		<input type="checkbox"/> <b>DM</b> 0-10V	<input type="checkbox"/> <b>WE</b> Wood effect
<input type="checkbox"/> <b>35</b> 3500K			<input type="checkbox"/> <b>MC</b> Metallic
<input type="checkbox"/> <b>40</b> 4000K			<input type="checkbox"/> <b>Cus</b> Custom on request
<input type="checkbox"/> <b>50</b> 5000K			
Mounting			
<input type="checkbox"/> <b>GS</b> Ground Spike (included)			
<input type="checkbox"/> <b>Cus</b> Custom on request			

## Finishes

### Standard finishes



#### RAL K7 CLASSIC COLORS

(80-95% GLOSS): RAL\_ \_ \_ \_

All RAL Classic colors are available with no setup fee.

On your specification submittal, choose your RAL color by entering the 4-digit RAL code (e.g., RAL 3003).



### Wood-effect finishes



### Metallic finishes

