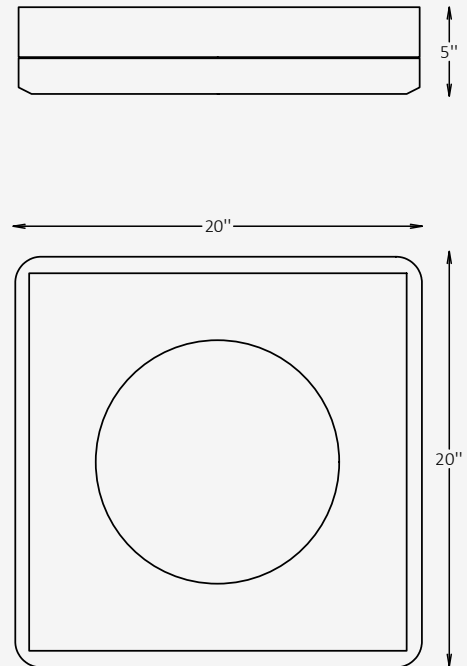




GENERAL INFORMATION

The Terrava Ryn Outdoor Ceiling fixture features a low-profile, geometric form that combines simplicity with strength. Its square silhouette and contrasting materials create a refined architectural presence while providing efficient, uniform illumination. Designed to perform in outdoor environments, Terrava Ryn complements contemporary façades and covered exterior areas with understated elegance.



SPECIFICATIONS

Material	Aluminum
Lens	Polycarbonate
Height	5"
Length	20"
Width	20"
Input Voltage	110-277V, 50-60 Hz
Light Source Type	LED
Power	15W / 20W / 25W
LED Output	120 lm/W
CCT	2700K / 3000K / 4000K
CRI	90
Dimming & Driver	Integral, 0-10V
Light Distribution	Beam Down
IP Rating	IP 65
Warranty	5 years
Finishes	27 RAL finishes 8 wood-effect finishes 12 metallic finishes Custom on request*

OTHER VERSIONS AVAILABLE



CERTIFICATION



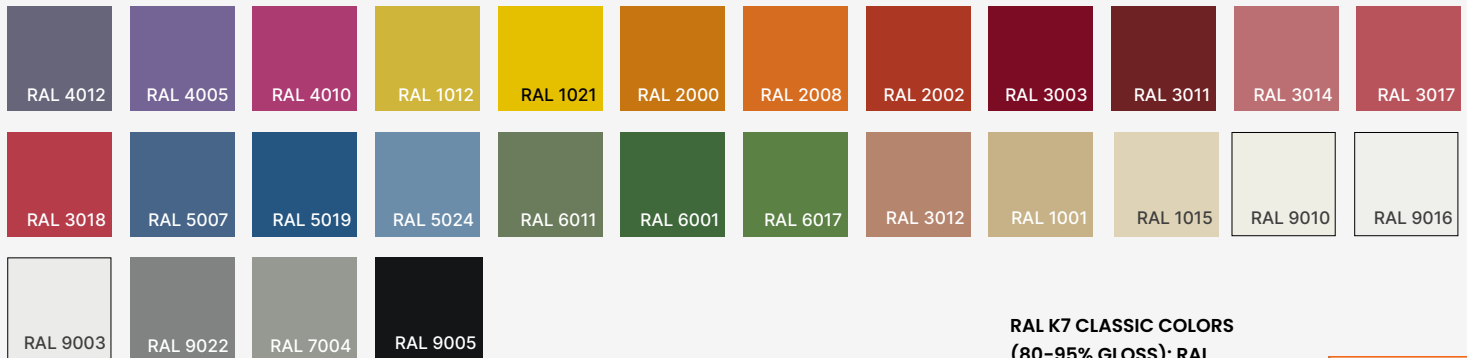
Ordering Information

Select one item from each category below. If your desired option is unavailable, please contact our team for support or custom solutions.

Code	Wattage / Lumens	CCT	Dimming
<input checked="" type="checkbox"/> TRN Outdoor Ceiling	<input type="checkbox"/> 18 15 W / 1800 lm	<input type="checkbox"/> 27 2700K	<input type="checkbox"/> NN Non-Dimmable
	<input type="checkbox"/> 24 20 W / 2400 lm	<input type="checkbox"/> 30 3000K	<input type="checkbox"/> DM 0-10V
	<input type="checkbox"/> 30 25 W / 3000 lm	<input type="checkbox"/> 40 4000K	
	<input type="checkbox"/> Cus Custom on request	<input type="checkbox"/> Cus Custom on request	
Top Housing Finish Options	Bottom Frame Finish Options	<p>Note: The color combination shown in the photo on the first page of this spec sheet is part of the exclusive A We Lighting Design Palette. This custom palette reflects our brand's identity and is available as a special finish option — A We Lighting Palette*.</p>	
<input type="checkbox"/> ST Standard	<input type="checkbox"/> ST Standard		
<input type="checkbox"/> WE Wood effect	<input type="checkbox"/> WE Wood effect		
<input type="checkbox"/> MC Metallic	<input type="checkbox"/> MC Metallic		
<input type="checkbox"/> AWE A We Lighting Palette*	<input type="checkbox"/> AWE A We Lighting Palette*		
<input type="checkbox"/> Cus Custom on request	<input type="checkbox"/> Cus Custom on request		

Finishes

Standard finishes



RAL K7 CLASSIC COLORS (80-95% GLOSS): RAL_ _ _ _

All RAL Classic colors are available with no setup fee.

On your specification submittal, choose your RAL color by entering the 4-digit RAL code (e.g., RAL 3003).



Wood-effect finishes



Metallic finishes

