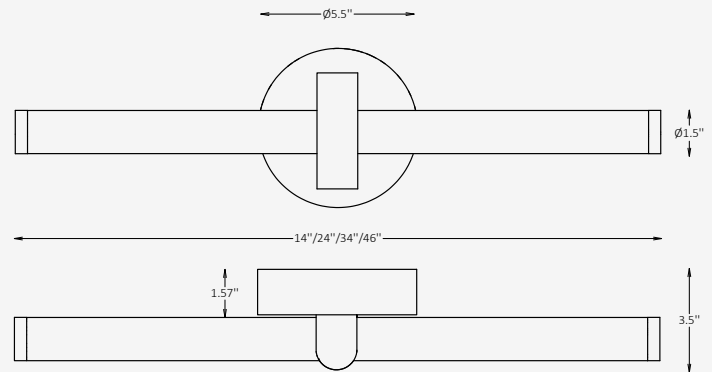




GENERAL INFORMATION

PARALLAX is a contemporary wall luminaire defined by its balanced linear composition and softly diffused illumination. The cylindrical acrylic diffuser is intersected by a refined central mounting element, creating a clean geometric contrast that gives the fixture a subtle architectural character. Designed for residential interiors, hospitality environments, and decorative wall applications, PARALLAX delivers comfortable 360° diffused light with a warm ambient presence. Its minimalist form and wide range of finishes allow the fixture to integrate seamlessly into both modern and timeless interior spaces.



SPECIFICATIONS

Material	Aluminum + Acrylic
Diffuser	Acrylic, Frosted
Diameter	1.5"
Length	14" / 24" / 34" / 46"
Input Voltage	110-277V, 50-60 Hz
Light Source Type	LED
Power	8W / 12W / 18W / 24W
LED Output	90 lm/W
CCT	2700K / 3000K / 3500K / 4000K
CRI	90
Dimming & Driver	Integral, 0-10V
Light Distribution	360°, Diffused
IP Rating	IP 44
Warranty	5 years
Finishes	34 standard finishes 12 metallic finishes

CERTIFICATION



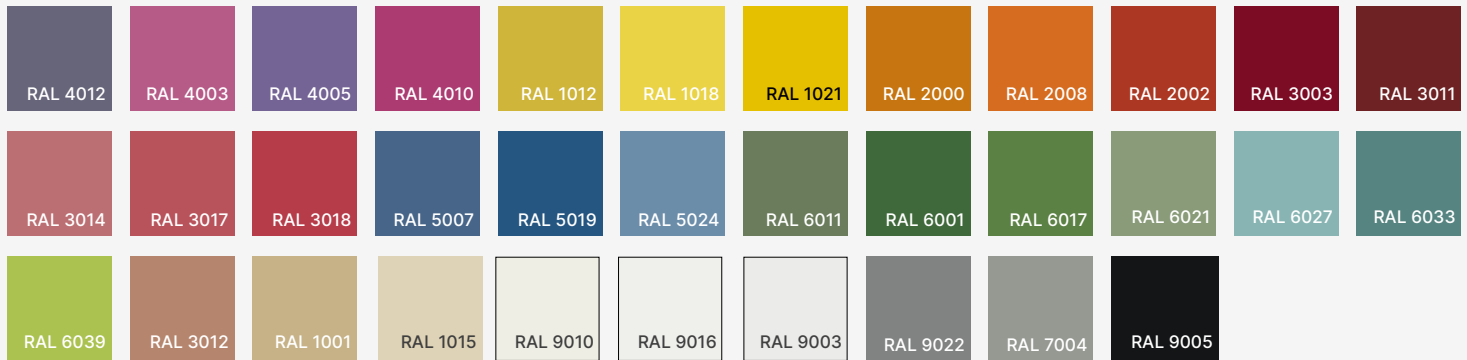
Ordering Information

Select one item from each category below. If your desired option is unavailable, please contact our team for support or custom solutions.

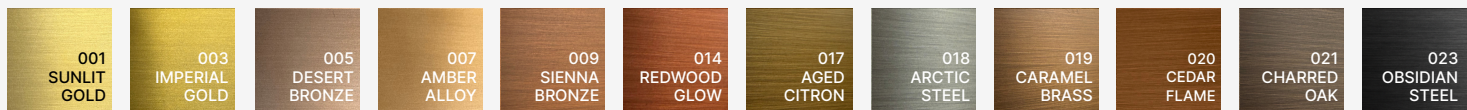
Code	Tube Diameter Ø	Length	Wattage / Lumens
<input checked="" type="checkbox"/> PRX Wall	<input type="checkbox"/> 1 1.5"	<input type="checkbox"/> 12 14"	<input type="checkbox"/> 8 8W / 720 lm
	<input type="checkbox"/> Cus Custom on request	<input type="checkbox"/> 24 24"	<input type="checkbox"/> 12 12W / 1080 lm
		<input type="checkbox"/> 34 34"	<input type="checkbox"/> 18 18W / 1620 lm
		<input type="checkbox"/> 46 46"	<input type="checkbox"/> 24 24W / 2160 lm
		<input type="checkbox"/> Cus Custom on request	<input type="checkbox"/> Cus Custom on request
CCT	Dimming	End Caps Finish Option	Canopy Finish Option
<input type="checkbox"/> 27 2700K	<input type="checkbox"/> NN Non-Dimmable	<input type="checkbox"/> ST Standard	<input type="checkbox"/> ST Standard
<input type="checkbox"/> 30 3000K	<input type="checkbox"/> DM 0-10V	<input type="checkbox"/> MC Metallic	<input type="checkbox"/> MC Metallic
<input type="checkbox"/> 35 3500K		<input type="checkbox"/> Cus Custom on request	<input type="checkbox"/> Cus Custom on request
<input type="checkbox"/> 40 4000K			
<input type="checkbox"/> Cus Custom on request			

Finishes

Standard finishes



Metallic finishes



RAL K7 CLASSIC COLORS (80-95% GLOSS): RAL_ _ _ _

All RAL Classic colors are available with no setup fee.

On your specification submittal, choose your RAL color by entering the 4-digit RAL code (e.g., RAL 3003).

