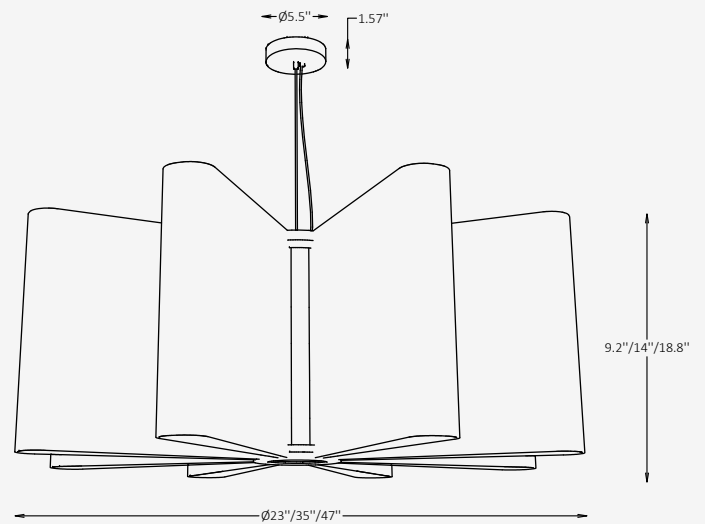




## GENERAL INFORMATION

CAMOMILA is an acoustic pendant defined by its layered sculptural form and integrated direct illumination. The folded P.E.T. felt panels create a dynamic architectural silhouette while helping improve acoustic comfort within the space. Designed for hospitality environments, offices, and residential interiors, CAMOMILA combines decorative presence with functional performance. The integrated light source delivers focused downward illumination, while the soft felt material introduces warmth, texture, and sound-absorbing properties to the environment.



## SPECIFICATIONS

Material	Stainless Steel, 100% P.E.T. Felt
Diffuser	Acrylic
Diameter	23" / 35" / 47"
Height	9.2" / 14" / 18.8"
Input Voltage	110-277V, 50-60 Hz
Light Source Type	LED
Power	9W / 15W / 18W / 25W
LED Output	90 lm/W
CCT	2700K / 3000K / 3500K / 4000K
CRI	90
Dimming & Driver	Integral, 0-10V
Light Distribution	Direct
IP Rating	IP 20
Finishes	27 acoustic fiber finishes
Warranty	5 years

## OTHER VERSIONS AVAILABLE



## CERTIFICATION



Project

Notes

## Ordering Information

Select one item from each category below. If your desired option is unavailable, please contact our team for support or custom solutions.

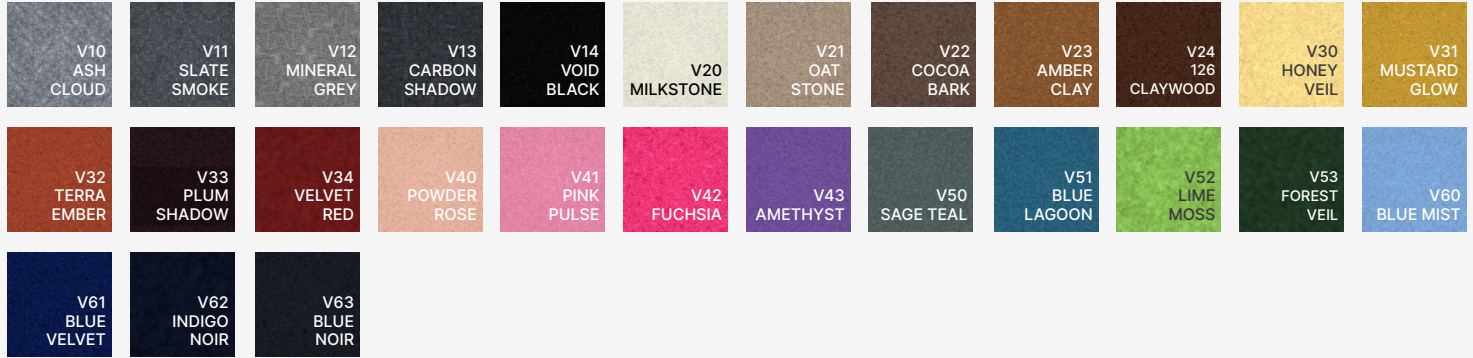
Code	Diameter Ø / Height	Wattage / Lumens	CCT
<input checked="" type="checkbox"/> <b>CML</b> Acoustic / Pendant	<input type="checkbox"/> <b>23</b> 23" / 9.2"	<input type="checkbox"/> <b>9</b> 9W / 900 lm	<input type="checkbox"/> <b>27</b> 2700K
	<input type="checkbox"/> <b>35</b> 35" / 14"	<input type="checkbox"/> <b>15</b> 15W / 1350 lm	<input type="checkbox"/> <b>30</b> 3000K
	<input type="checkbox"/> <b>47</b> 47" / 18.8"	<input type="checkbox"/> <b>18</b> 18W / 1620 lm	<input type="checkbox"/> <b>35</b> 3500K
	<input type="checkbox"/> <b>Cus</b> Custom on request	<input type="checkbox"/> <b>25</b> 25W / 2250 lm	<input type="checkbox"/> <b>40</b> 4000K
		<input type="checkbox"/> <b>Cus</b> Custom on request	<input type="checkbox"/> <b>Cus</b> Custom on request
Dimming	Acoustic Fiber Finish Option	Canopy Finish Option	Cord Finish Option
<input type="checkbox"/> <b>NN</b> Non-Dimmable	<input type="checkbox"/> <b>AF</b> Acoustic fibers	<input type="checkbox"/> <b>ST</b> Standard	<input type="checkbox"/> <b>SV</b> Standard Vinyl
<input type="checkbox"/> <b>DM</b> 0-10V		<input type="checkbox"/> <b>MC</b> Metallic	<input type="checkbox"/> <b>DB</b> Decorative Braided
		<input type="checkbox"/> <b>Cus</b> Custom on request	<input type="checkbox"/> <b>Cus</b> Custom on request
Cord Length			
<input type="checkbox"/> <b>L5</b> 59" (adjustable)			
<input type="checkbox"/> <b>L11</b> 118" (adjustable)			
<input type="checkbox"/> <b>Cus</b> Custom on request			

Project

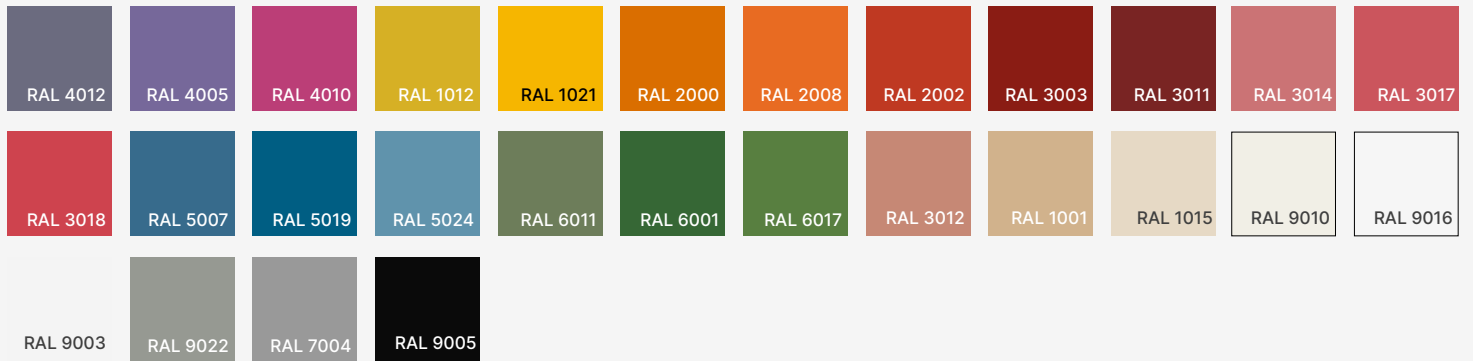
Notes

# Finishes

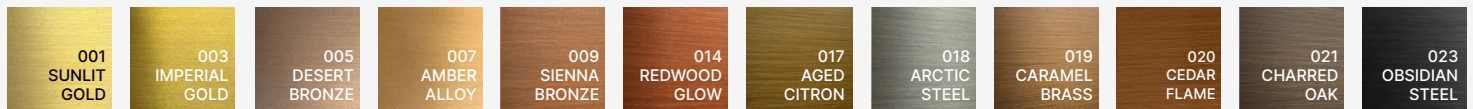
## Acoustic fiber finishes



## Standard finishes



## Metallic finishes



## Cord finishes

### Standard Vinyl



### Decorative Braided



**RAL K7 CLASSIC COLORS (80-95% GLOSS): RAL\_ \_ \_ \_**

All RAL Classic colors are available with no setup fee.

On your specification submittal, choose your RAL color by entering the 4-digit RAL code (e.g., RAL 3003).

