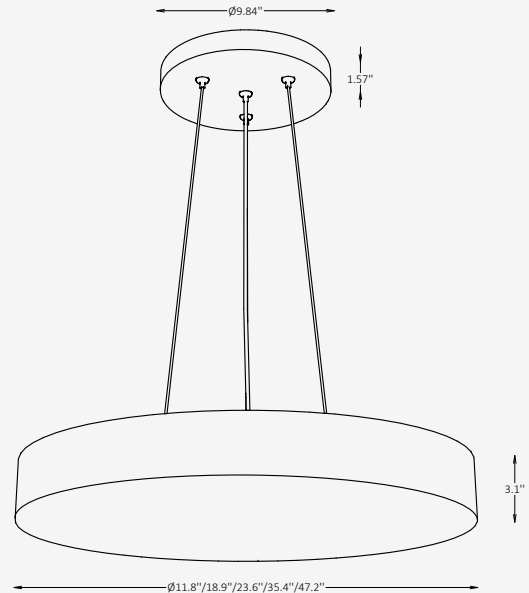




GENERAL INFORMATION

LUNEX SP is a circular pendant designed to provide soft, uniform illumination with a clean contemporary presence. The frosted polycarbonate diffuser creates a smooth 360° light distribution, while the slim profile maintains a light and balanced architectural appearance. Designed for residential interiors, hospitality spaces, and commercial environments, LUNEX SP combines minimalist geometry with efficient lighting performance. Its range of diameters and suspended configurations allows the fixture to function both as a functional ambient light source and as a refined decorative centerpiece within the space.



SPECIFICATIONS

Material	Metal + Polycarbonate
Diffuser	Polycarbonate, Frosted
Diameter	11.8" / 18.9" / 23.6" / 35.4" / 47.2"
Profile Height	3.1"
Input Voltage	110-277V
Light Source Type	LED
Power	15W / 25W / 40W / 90W / 180W
LED Output	105 lm/W
CCT	3000K / 3500K / 4000K
CRI	80 / 90
Dimming & Driver	Integral, 0-10V
Light Distribution	360°, Diffused
IP Rating	IP 20
Warranty	5 years
Finishes	White

OTHER VERSIONS AVAILABLE



CERTIFICATION



Ordering Information

Select one item from each category below. If your desired option is unavailable, please contact our team for support or custom solutions.

Code	Diameter Ø / Wattage / Lumens	CCT	Dimming
<input checked="" type="checkbox"/> LNX-SP Pendant	<input type="checkbox"/> 11 11.8" / 15W / 1575 lm	<input type="checkbox"/> 30 3000K	<input type="checkbox"/> NN Non-Dimmable
	<input type="checkbox"/> 18 18.9" / 25W / 2625 lm	<input type="checkbox"/> 35 3500K	<input type="checkbox"/> DM 0-10V
	<input type="checkbox"/> 23 23.6" / 40W / 4200 lm	<input type="checkbox"/> 40 4000K	
	<input type="checkbox"/> 35 35.4" / 90W / 9450 lm	<input type="checkbox"/> Cus Custom on request	
	<input type="checkbox"/> 47 47.2" / 180W / 18,900 lm		
CRI	Canopy Finish Option	Cord Finish Option	Cord Length
<input type="checkbox"/> CR8 80	<input type="checkbox"/> ST Standard	<input type="checkbox"/> SVW White	<input type="checkbox"/> L6 59" (adjustable)
<input type="checkbox"/> CR9 90	<input type="checkbox"/> RAL RAL finishes	<input type="checkbox"/> SVB Black	<input type="checkbox"/> Cus Custom on request
Mounting			
<input type="checkbox"/> CT Central Canopy Suspension			
<input type="checkbox"/> MO Multi-Point Suspension			

Finishes

Standard finishes



RAL finishes



Cord finishes



RAL K7 CLASSIC COLORS (80-95% GLOSS): RAL_ _ _ _

All RAL Classic colors are available.

On your specification submittal, choose your RAL color by entering the 4-digit RAL code (e.g., RAL 3003).

