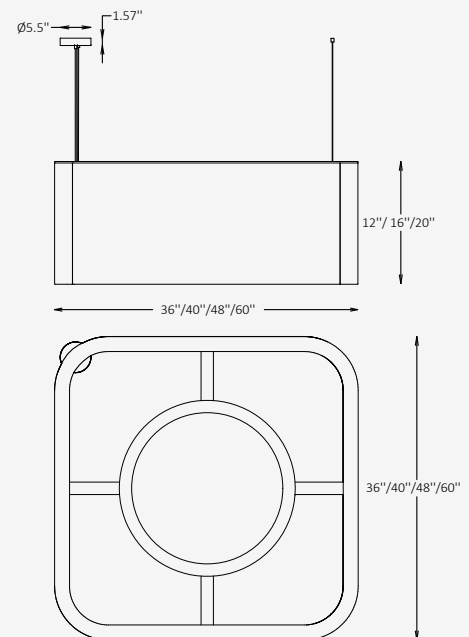




GENERAL INFORMATION

AXORA is a contemporary acoustic pendant that merges sculptural design with functional performance. Constructed from aluminum and wrapped in 100% P.E.T. acoustic felt, it helps reduce ambient noise while providing smooth, direct illumination. Its distinctive geometric form creates a strong architectural statement, making it ideal for offices, hospitality spaces, meeting rooms, and modern residential interiors. With integrated LED technology, multiple wattage and CCT options, and 0-10V dimming, AXORA delivers flexibility, comfort, and refined visual impact.



SPECIFICATIONS

Material	Aluminum, 100% P.E.T. Felt
Diffuser	Polycarbonate
Length	36" / 40" / 48" / 60"
Width	36" / 40" / 48" / 60"
Height	12" / 16" / 20"
Input Voltage	110-277V, 50-60 Hz
Light Source Type	LED
Power	20W / 30W / 40W / 50W
LED Output	80 lm/W
CCT	2700K / 3000K / 3500K / 4000K
CRI	90
Dimming & Driver	Integral, 0-10V
Light Distribution	Direct
IP Rating	IP 20
Finishes	27 acoustic fiber finishes
Warranty	5 years

OTHER VERSIONS AVAILABLE



CERTIFICATION



Project

Notes

Ordering Information

Select one item from each category below. If your desired option is unavailable, please contact our team for support or custom solutions.

Code	Length / Width	Height	Wattage / Lumens
<input checked="" type="checkbox"/> AXR Acoustic / Pendant	<input type="checkbox"/> 36 36" / 36" <input type="checkbox"/> 40 40" / 40" <input type="checkbox"/> 48 48" / 48" <input type="checkbox"/> 60 60" / 60" <input type="checkbox"/> Cus Custom on request	<input type="checkbox"/> 12 12" <input type="checkbox"/> 16 16" <input type="checkbox"/> 20 20" <input type="checkbox"/> Cus Custom on request	<input type="checkbox"/> 20 20 W / 1600 lm <input type="checkbox"/> 30 30 W / 2400 lm <input type="checkbox"/> 40 40 W / 3200 lm <input type="checkbox"/> 50 50 W / 4000 lm <input type="checkbox"/> Cus Custom on request
CCT	Dimming	Acoustic Fiber Finish Option	Canopy Finish Option
<input type="checkbox"/> 27 2700K <input type="checkbox"/> 30 3000K <input type="checkbox"/> 35 3500K <input type="checkbox"/> 40 4000K <input type="checkbox"/> Cus Custom on request	<input type="checkbox"/> NN Non-Dimmable <input type="checkbox"/> DM 0-10V	<input type="checkbox"/> AF Acoustic fibers	<input type="checkbox"/> ST Standard <input type="checkbox"/> MC Metallic <input type="checkbox"/> Cus Custom on request
Cord Length	Cord Finish Option		
<input type="checkbox"/> L5 59" (adjustable) <input type="checkbox"/> L11 118" (adjustable) <input type="checkbox"/> Cus Custom on request	<input type="checkbox"/> SV Standard Vinyl <input type="checkbox"/> DB Decorative Braided <input type="checkbox"/> Cus Custom on request		

Project

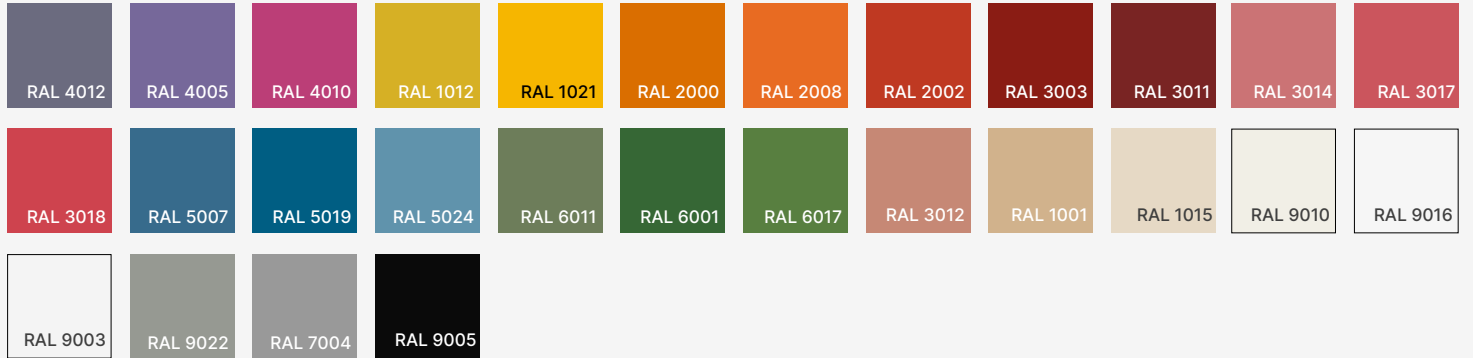
Notes

Finishes

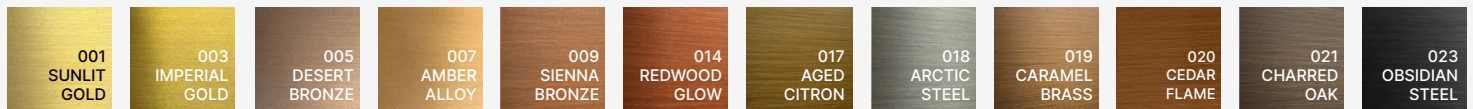
Acoustic fiber finishes



Standard finishes

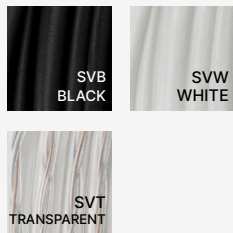


Metallic finishes



Cord finishes

Standard Vinyl



Decorative Braided



RAL K7 CLASSIC COLORS (80-95% GLOSS): RAL_ _ _ _

All RAL Classic colors are available with no setup fee.

On your specification submittal, choose your RAL color by entering the 4-digit RAL code (e.g., RAL 3003).

