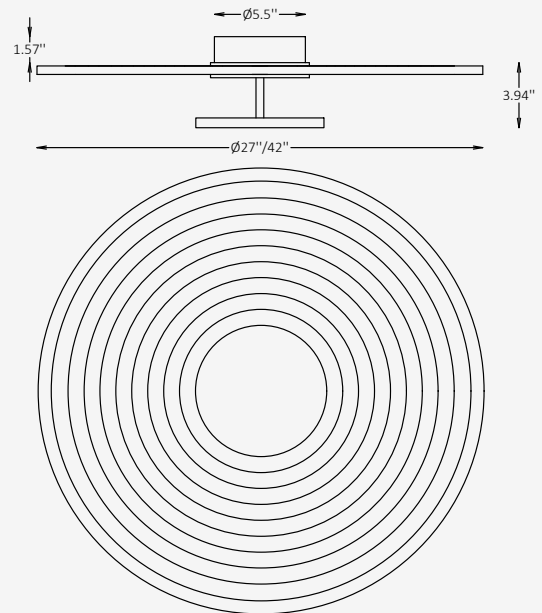




GENERAL INFORMATION

SONDRIA is an acoustic wall luminaire inspired by concentric forms found in nature, combining layered P.E.T. felt with integrated illumination to create a warm and inviting visual presence. The textured circular composition adds depth and dimension to the wall while contributing to improved acoustic comfort within the space. Designed for offices, hospitality environments, lounges, and collaborative interiors, SONDRIA provides soft diffused ambient illumination while helping reduce unwanted noise. Its combination of decorative appeal, acoustic performance, and customizable felt finishes allows the fixture to function as both a lighting element and a striking architectural feature.



SPECIFICATIONS

Material	Stainless Steel, 100% P.E.T. Felt
Diffuser	Acrylic, Frosted
Diameter	27" / 42"
Depth	3.94"
Input Voltage	110-277V, 50-60 Hz
Light Source Type	LED
Power	5W / 8W / 14W / 20W
LED Output	90 lm/W
CCT	2700K / 3000K / 3500K / 4000K
CRI	90
Dimming & Driver	Integral, 0-10V
Light Distribution	360° Indirect Diffused Ambient
IP Rating	IP 20
Finishes	27 acoustic fiber finishes
Warranty	5 years

OTHER VERSIONS AVAILABLE



CERTIFICATION



Project

Notes

Ordering Information

Select one item from each category below. If your desired option is unavailable, please contact our team for support or custom solutions.

Code	Diameter Ø	Wattage / Lumens	CCT
<input checked="" type="checkbox"/> SDR Acoustic / Wall	<input type="checkbox"/> 27 27"	<input type="checkbox"/> 5 5W / 460lm	<input type="checkbox"/> 27 2700K
	<input type="checkbox"/> 42 42"	<input type="checkbox"/> 8 8W / 720 lm	<input type="checkbox"/> 30 3000K
	<input type="checkbox"/> Cus Custom on request	<input type="checkbox"/> 14 14W / 1285 lm	<input type="checkbox"/> 35 3500K
		<input type="checkbox"/> 20 20W / 1780 lm	<input type="checkbox"/> 40 4000K
		<input type="checkbox"/> Cus Custom on request	<input type="checkbox"/> Cus Custom on request
Dimming	Acoustic Fiber Finish Option	Metal Circle Finish Option	Canopy Finish Option
<input type="checkbox"/> NN Non-Dimmable	<input type="checkbox"/> AF Acoustic fibers	<input type="checkbox"/> ST Standard	<input type="checkbox"/> ST Standard
<input type="checkbox"/> DM 0-10V		<input type="checkbox"/> MC Metallic	<input type="checkbox"/> MC Metallic
		<input type="checkbox"/> Cus Custom on request	<input type="checkbox"/> Cus Custom on request

Project

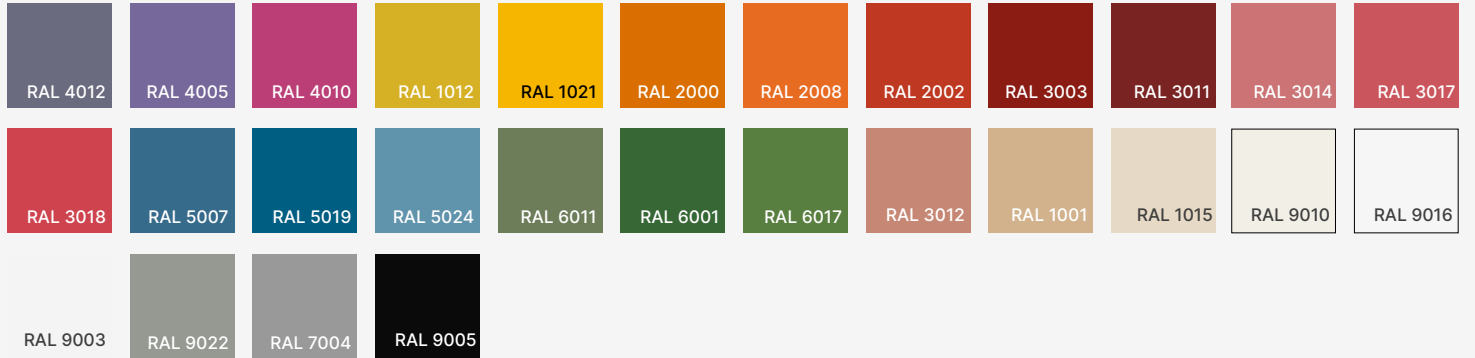
Notes

Finishes

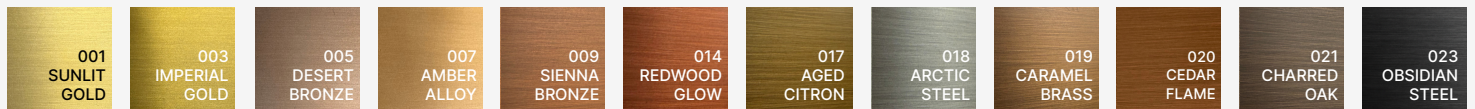
Acoustic fiber finishes



Standard finishes



Metallic finishes



RAL K7 CLASSIC COLORS (80-95% GLOSS): RAL_ _ _ _

All RAL Classic colors are available with no setup fee.

On your specification submittal, choose your RAL color by entering the 4-digit RAL code (e.g., RAL 3003).

