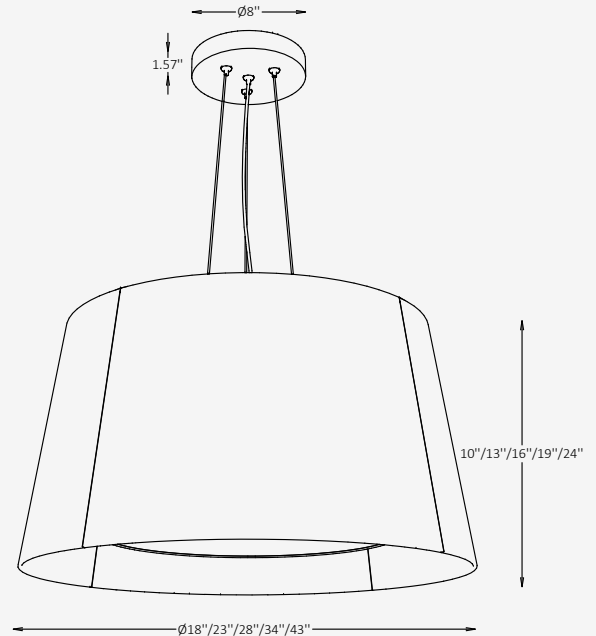




## GENERAL INFORMATION

CAMPELLE is an acoustic pendant defined by its clean cylindrical form and integrated illumination. The P.E.T. felt body provides both visual softness and acoustic benefits, helping to reduce ambient noise while creating a warm and inviting atmosphere within the space. Designed for offices, hospitality environments, meeting areas, and contemporary interiors, CAMPELLE combines effective sound absorption with comfortable diffused lighting. Available in multiple sizes and acoustic felt finishes, the fixture serves as both a functional lighting solution and a refined architectural element that enhances occupant comfort and visual appeal.



## SPECIFICATIONS

<b>Material</b>	Stainless Steel, 100% P.E.T. Felt
<b>Diffuser</b>	Acrylic, Frosted
<b>Diameter</b>	18" / 23" / 28" / 34" / 43"
<b>Height</b>	10" / 13" / 16" / 19" / 24"
<b>Input Voltage</b>	110-277V, 50-60 Hz
<b>Light Source Type</b>	LED
<b>Power</b>	9W / 18W / 29W / 40W / 55W
<b>LED Output</b>	90 lm/W
<b>CCT</b>	2700K / 3000K / 3500K / 4000K
<b>CRI</b>	80
<b>Dimming &amp; Driver</b>	Integral, 0-10V
<b>Light Distribution</b>	Direct, Diffused
<b>IP Rating</b>	IP 20
<b>Finishes</b>	27 acoustic fiber finishes
<b>Warranty</b>	5 years

## OTHER VERSIONS AVAILABLE



## CERTIFICATION



Project

Notes

## Ordering Information

Select one item from each category below. If your desired option is unavailable, please contact our team for support or custom solutions.

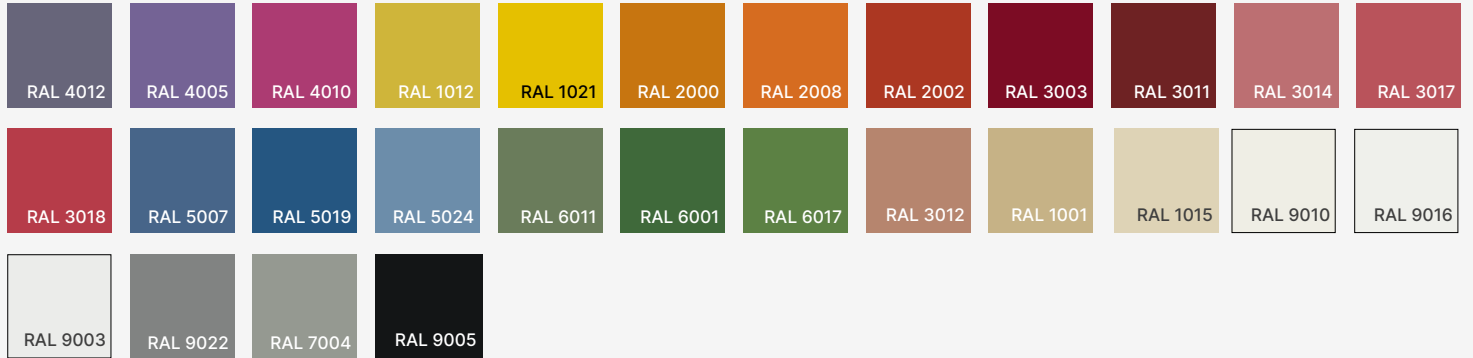
Code	Diameter Ø / Height	Wattage / Lumens	CCT
<input checked="" type="checkbox"/> <b>CME</b> Acoustic / Pendant	<input type="checkbox"/> <b>18</b> 18" / 10" <input type="checkbox"/> <b>23</b> 23" / 13" <input type="checkbox"/> <b>28</b> 28" / 16" <input type="checkbox"/> <b>34</b> 34" / 19" <input type="checkbox"/> <b>43</b> 43" / 24" <input type="checkbox"/> <b>Cus</b> Custom on request	<input type="checkbox"/> <b>9</b> 9W / 810 lm <input type="checkbox"/> <b>18</b> 18W / 1620 lm <input type="checkbox"/> <b>29</b> 29W / 2610 lm <input type="checkbox"/> <b>40</b> 40W / 3600 lm <input type="checkbox"/> <b>55</b> 55W / 4950 lm <input type="checkbox"/> <b>Cus</b> Custom on request	<input type="checkbox"/> <b>27</b> 2700K <input type="checkbox"/> <b>30</b> 3000K <input type="checkbox"/> <b>35</b> 3500K <input type="checkbox"/> <b>40</b> 4000K <input type="checkbox"/> <b>Cus</b> Custom on request
Dimming	Acoustic Fiber Finish Option	Canopy Finish Option	Cord Finish Option
<input type="checkbox"/> <b>NN</b> Non-Dimmable <input type="checkbox"/> <b>DM</b> 0-10V	<input type="checkbox"/> <b>AF</b> Acoustic fibers	<input type="checkbox"/> <b>ST</b> Standard <input type="checkbox"/> <b>MC</b> Metallic <input type="checkbox"/> <b>Cus</b> Custom on request	<input type="checkbox"/> <b>SV</b> Standard Vinyl <input type="checkbox"/> <b>DB</b> Decorative Braided <input type="checkbox"/> <b>Cus</b> Custom on request
Cord Length			
<input type="checkbox"/> <b>L6</b> 60" (adjustable) <input type="checkbox"/> <b>L11</b> 118" (adjustable) <input type="checkbox"/> <b>Cus</b> Custom on request			

# Finishes

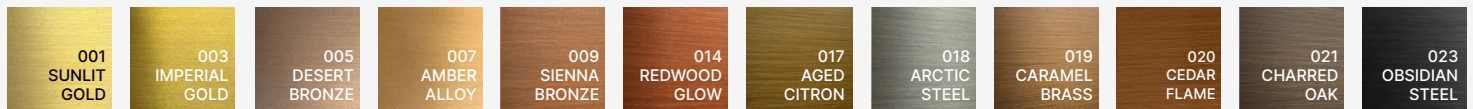
## Acoustic fiber finishes



## Standard finishes

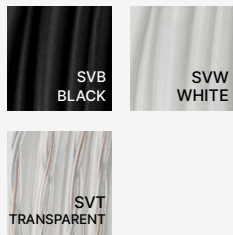


## Metallic finishes



## Cord finishes

### Standard Vinyl



### Decorative Braided



**RAL K7 CLASSIC COLORS (80-95% GLOSS): RAL\_ \_ \_ \_**

All RAL Classic colors are available with no setup fee.

On your specification submittal, choose your RAL color by entering the 4-digit RAL code (e.g., RAL 3003).

