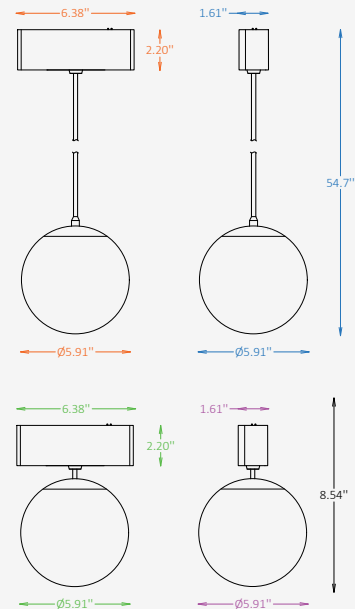




GENERAL INFORMATION

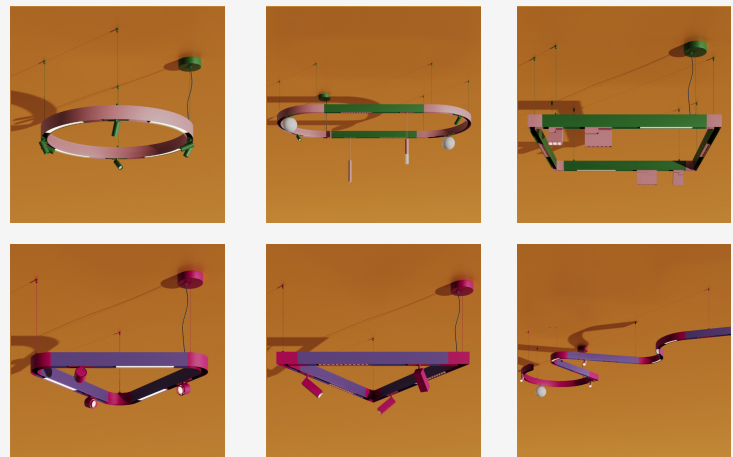
A-SPHERE SHIFT is a decorative pendant module for the MODARI magnetic track system, defined by its clean spherical glass form and soft diffused illumination. The glowing globe adds visual rhythm and warmth to the track composition while maintaining a minimal architectural appearance. Designed for residential, hospitality, retail, and commercial interiors, the module can be positioned or reconfigured along the magnetic track to support flexible lighting layouts. Available in multiple finishes, A-SPHERE SHIFT brings a refined decorative accent and comfortable ambient light to MODARI system applications.



MODULE SPECIFICATIONS

Material	Glass + Aluminum
Diameter	5.9"
Input Voltage	DC 24V
Light Source Type	LED
Power	5W
CCT	2700K / 3000K / 3500K / 4000K
CRI	80 / 90
Light Distribution	Diffused
Dimming	Non-Dim / 0-10V / 1-10V / DALI / TRIAC
IP Rating	IP 20
Warranty	5 years
Finishes	30 RAL finishes 8 wood-effect finishes 2 metallic finishes Custom on request*

OTHER VERSIONS AVAILABLE



CERTIFICATION



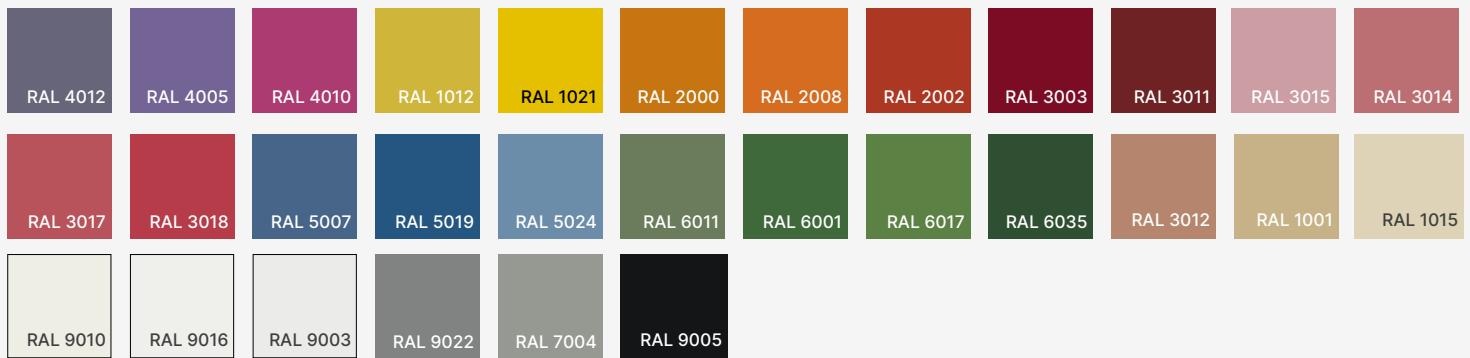
A-Sphere Shift Module Ordering Information

Select one item from each category below. If your desired option is unavailable, please contact our team for support or custom solutions.

Code	Voltage	Diameter Ø / Wattage / Lumens	CCT
<input checked="" type="checkbox"/> SPH-SF A-Sphere Shift Module	<input type="checkbox"/> D24 DC 24V	<input type="checkbox"/> 6P 5.9" / 5 W / 346 lm (pendant)	<input type="checkbox"/> 27 2700K
	<input type="checkbox"/> Cus Custom on request	<input type="checkbox"/> 6C 5.9" / 5 W / 346 lm (ceiling)	<input type="checkbox"/> 30 3000K
			<input type="checkbox"/> 35 3500K
			<input type="checkbox"/> 40 4000K
			<input type="checkbox"/> Cus Custom on request
Light Distribution	CRI	Dimming	Finish Option
<input checked="" type="checkbox"/> DF Diffused	<input type="checkbox"/> CR8 80	<input type="checkbox"/> NN Non-Dimmable	<input type="checkbox"/> ST Standard
	<input type="checkbox"/> CR9 90	<input type="checkbox"/> DM0 0-10V	<input type="checkbox"/> WE Wood effect
		<input type="checkbox"/> DM1 1-10V	<input type="checkbox"/> MC Metallic
		<input type="checkbox"/> DL DALI	<input type="checkbox"/> Cus Custom on request
		<input type="checkbox"/> TR TRIAC	

A-Sphere Shift Module Finishes

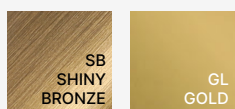
Standard finishes



Wood-effect finishes



Metallic finishes

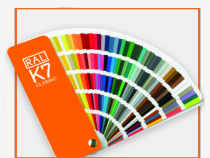


RAL K7 CLASSIC COLORS

(80-95% GLOSS): RAL_ _ _ _

All RAL Classic colors are available with no setup fee.

On your specification submittal, choose your RAL color by entering the 4-digit RAL code (e.g., RAL 3003).

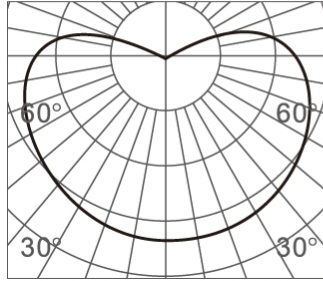


Project

Notes

Photometric Data

Diffuse



h(m)	E(lx)	Φ(m)
1	30	Φ2.00
2	7	Φ4.00
3	3	Φ6.00
4	1.9	Φ8.00
5	1.2	Φ10.00