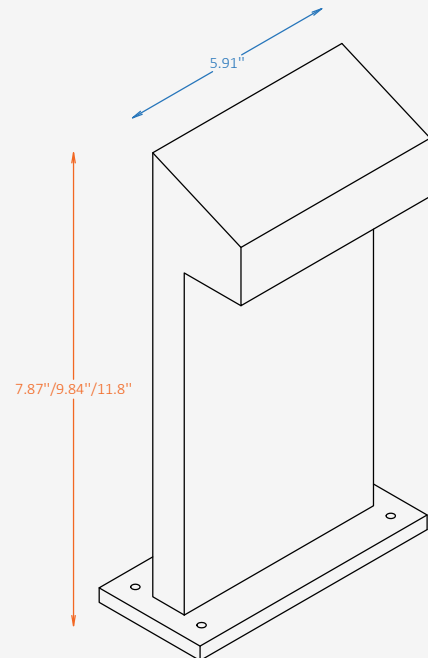




## GENERAL INFORMATION

TALUS G is a compact architectural garden luminaire designed to provide precise downward illumination with a bold geometric appearance. Its clean angular form creates a strong visual presence while delivering comfortable, glare-controlled lighting for outdoor environments. Constructed from aluminum with a tempered glass lens, TALUS G is ideal for pathways, gardens, courtyards, and landscape applications. Available in multiple heights and finishes, the fixture combines durable outdoor performance with a refined contemporary aesthetic that complements both residential and commercial settings.



## SPECIFICATIONS

Material	Aluminium
Lens	Tempered glass
Height	7.9" / 9.8" / 11.8"
Width	5.91"
Light Source Type	LED
Power	4W / 5W
Input Voltage	110-277V, 50-60 Hz
LED Output	120 lm/W
CCT	3000K / 4000K
CRI	80
Dimming & Driver	Integral, 0-10V
Light Distribution	Type V – symmetrical, downward
IP Rating	IP 65
Warranty	5 years
Finishing	16 standard finishes 8 wood-effect finishes 12 metallic finishes

## CERTIFICATION



Project

Notes

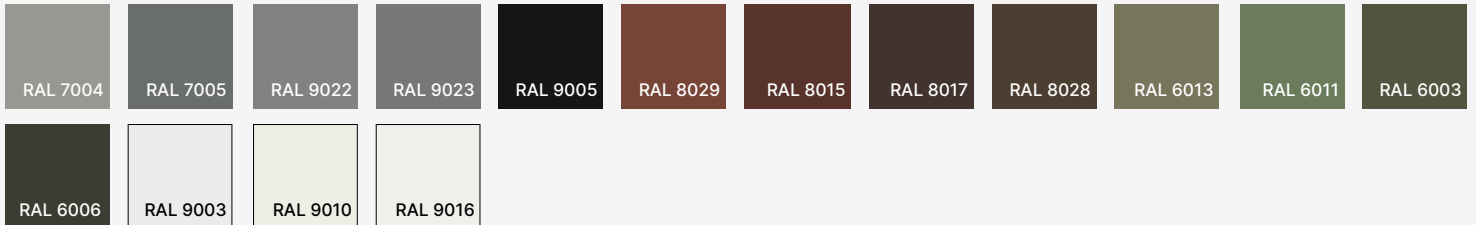
## Ordering Information

Select one item from each category below. If your desired option is unavailable, please contact our team for support or custom solutions.

Code	Height	Material	CCT
<input checked="" type="checkbox"/> <b>TLS-G</b> Garden	<input type="checkbox"/> <b>8</b> 7.9" <input type="checkbox"/> <b>10</b> 9.8" <input type="checkbox"/> <b>12</b> 11.8"	<input checked="" type="checkbox"/> <b>AL</b> Aluminium	<input type="checkbox"/> <b>30</b> 3000K <input type="checkbox"/> <b>40</b> 4000K
Wattage / Lumens	Light Distribution	Dimming	Body Finish Option
<input type="checkbox"/> <b>4</b> 4W / 480 lm <input type="checkbox"/> <b>5</b> 5W / 620 lm	<input checked="" type="checkbox"/> <b>LD5</b> Type V – symmetrical, downward	<input type="checkbox"/> <b>NN</b> Non-Dimmable <input type="checkbox"/> <b>DM</b> 0-10V	<input type="checkbox"/> <b>ST</b> Standard <input type="checkbox"/> <b>Cus</b> Custom on request
Finish Type	Mounting		
<input type="checkbox"/> <b>GL</b> Glossy <input type="checkbox"/> <b>MT</b> Matte	<input checked="" type="checkbox"/> <b>SM</b> Surface-mounted		

## Finishes

### Standard finishes



**RAL K7 CLASSIC COLORS (80-95% GLOSS): RAL\_ \_ \_ \_**

All RAL Classic colors are available with no setup fee.

On your specification submittal, choose your RAL color by entering the 4-digit RAL code (e.g., RAL 3003).

