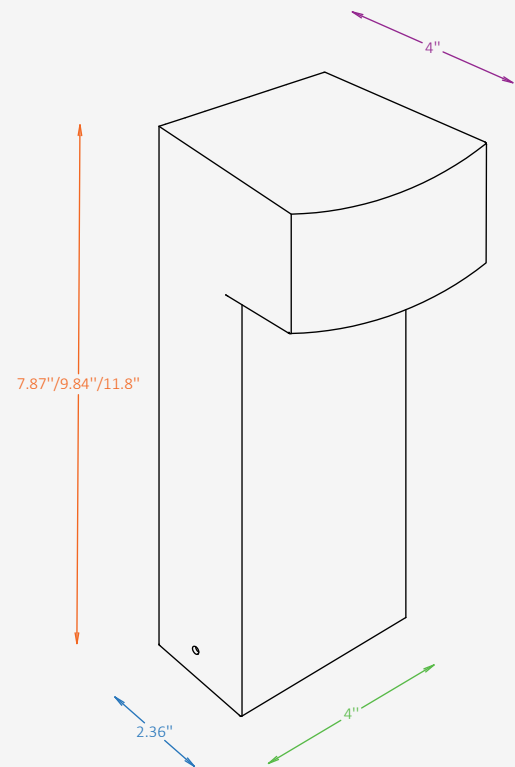




GENERAL INFORMATION

HOLLIS G is a compact architectural garden luminaire designed to provide comfortable downward illumination with a clean and contemporary appearance. Its simple geometric form and recessed light source create a refined visual presence while minimizing glare. Ideal for pathways, gardens, courtyards, and landscape applications, HOLLIS G combines durable aluminum construction with efficient light distribution. Available in multiple heights and finishes, the fixture delivers reliable outdoor performance while complementing a wide range of residential and commercial environments.



SPECIFICATIONS

Material	Aluminium
Lens	Acrylic, Frosted
Height	7.9" / 9.8" / 11.8"
Width	4"
Depth	2.36"
Light Source Type	LED
Power	4W / 5W
Input Voltage	110-277V, 50-60 Hz
LED Output	120 lm/W
CCT	2700K / 3000K / 3500K / 4000K
CRI	90
Dimming & Driver	Integral, 0-10V
Light Distribution	Type V – symmetrical, downward
IP Rating	IP 65
Warranty	5 years
Finishing	16 standard finishes 8 wood-effect finishes 12 metallic finishes

CERTIFICATION



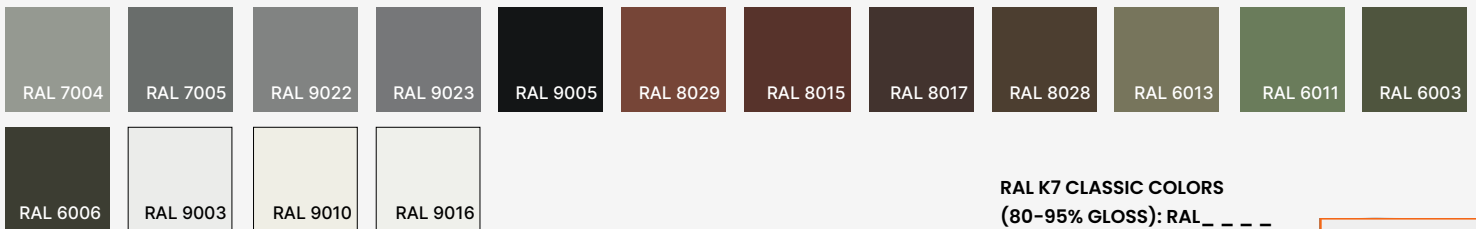
Ordering Information

Select one item from each category below. If your desired option is unavailable, please contact our team for support or custom solutions.

Code	Height	Material	CCT
<input checked="" type="checkbox"/> HLS-G Garden	<input type="checkbox"/> 8 7.9"	<input type="checkbox"/> AL Aluminium	<input type="checkbox"/> 27 2700K
	<input type="checkbox"/> 10 9.8"	<input type="checkbox"/> Cus Custom on request	<input type="checkbox"/> 30 3000K
	<input type="checkbox"/> 12 11.8"		<input type="checkbox"/> 35 3500K
	<input type="checkbox"/> Cus Custom on request		<input type="checkbox"/> 40 4000K
Wattage / Lumens	Light Distribution	Dimming	Accent Insert Finish Option
<input type="checkbox"/> 4 4W / 480 lm	<input checked="" type="checkbox"/> LD5 Type V – symmetrical, downward	<input type="checkbox"/> NN Non-Dimmable	<input type="checkbox"/> ST Standard
<input type="checkbox"/> 5 5W / 620 lm		<input type="checkbox"/> DM 0-10V	<input type="checkbox"/> WE Wood effect
<input type="checkbox"/> Cus Custom on request			<input type="checkbox"/> MC Metallic
			<input type="checkbox"/> Cus Custom on request
Body Finish Option	Finish Type	Mounting	
<input type="checkbox"/> ST Standard	<input type="checkbox"/> GL Glossy	<input checked="" type="checkbox"/> SM Surface-mounted	
<input type="checkbox"/> WE Wood effect	<input type="checkbox"/> MT Matte		
<input type="checkbox"/> MC Metallic			
<input type="checkbox"/> Cus Custom on request			

Finishes

Standard finishes



RAL K7 CLASSIC COLORS
(80-95% GLOSS): RAL_ _ _ _

All RAL Classic colors are available with no setup fee.

On your specification submittal, choose your RAL color by entering the 4-digit RAL code (e.g., RAL 3003).



Wood-effect finishes



Metallic finishes

