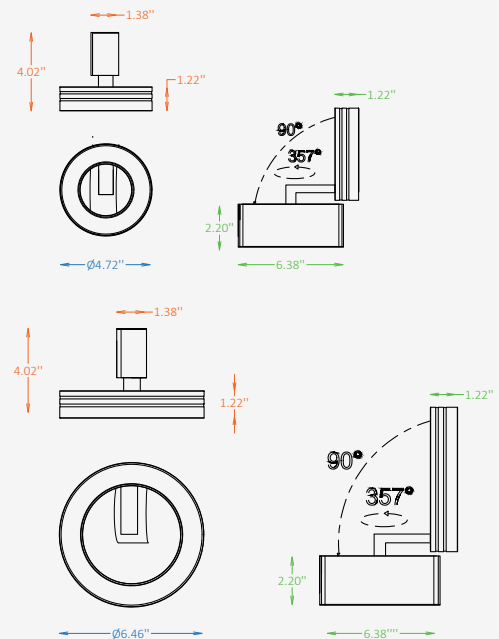




GENERAL INFORMATION

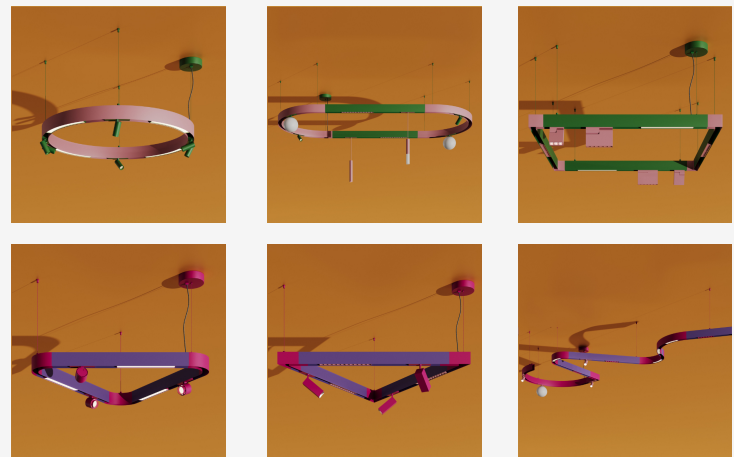
A-LOOP SOFT SHIFT is a decorative lighting module for the MODARI magnetic track system, designed to provide soft diffused illumination within flexible lighting layouts. Its compact circular form and frosted diffuser create a clean architectural look with a subtle decorative presence. Designed for residential, hospitality, retail, and commercial interiors, the module can be repositioned along the track to adapt to changing design needs. Available in multiple sizes and finishes, it combines comfortable ambient light with seamless MODARI system integration.



MODULE SPECIFICATIONS

Material	Aluminum
Lens	Acrylic, Frosted
Diameter	4.72" / 6.46"
Height	1.22"
Input Voltage	DC 24V
Light Source Type	LED
Power	12W / 18W
CCT	2700K / 3000K / 3500K / 4000K
CRI	80 / 90
Dimming	Non-Dim / 0-10V / 1-10V / DALI / TRIAC
IP Rating	IP 20
Warranty	5 years
Finishes	30 RAL finishes 8 wood-effect finishes 2 metallic finishes Custom on request*

OTHER VERSIONS AVAILABLE



CERTIFICATION



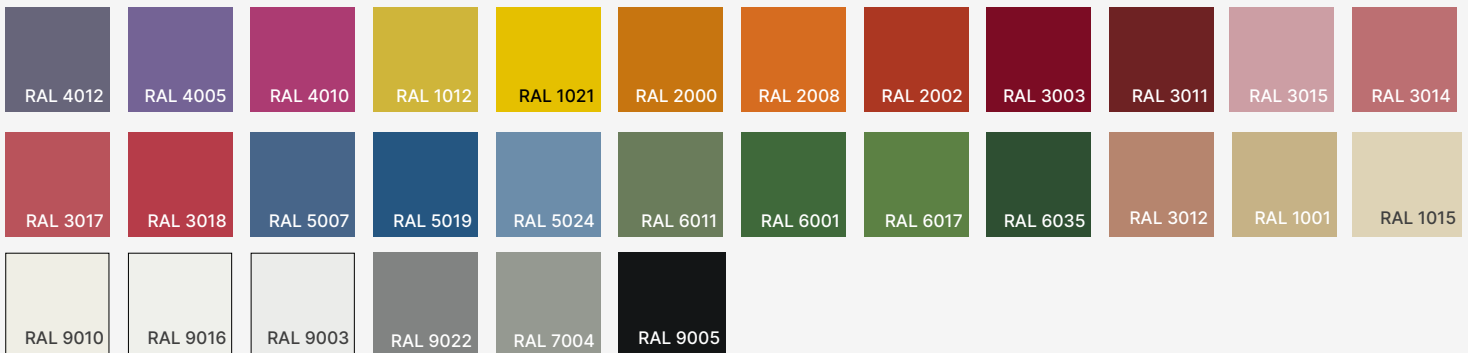
A-Loop Soft Shift Module Ordering Information

Select one item from each category below. If your desired option is unavailable, please contact our team for support or custom solutions.

Code	Voltage	Diameter / Height / Wattage / Lumens	CCT
<input checked="" type="checkbox"/> LPS-SF A-Loop Soft Module	<input type="checkbox"/> D24 DC 24V	<input type="checkbox"/> 4 4.72" / 1.22" / 12W / 470 lm	<input type="checkbox"/> 27 2700K
	<input type="checkbox"/> Cus Custom on request	<input type="checkbox"/> 6 6.46" / 1.22" / 18W / 686 lm	<input type="checkbox"/> 30 3000K
			<input type="checkbox"/> 35 3500K
			<input type="checkbox"/> 40 4000K
			<input type="checkbox"/> Cus Custom on request
Light Distribution	CRI	Dimming	Finish Option
<input checked="" type="checkbox"/> DF Diffused	<input type="checkbox"/> CR8 80	<input type="checkbox"/> NN Non-Dimmable	<input type="checkbox"/> ST Standard
	<input type="checkbox"/> CR9 90	<input type="checkbox"/> DM0 0-10V	<input type="checkbox"/> WE Wood effect
		<input type="checkbox"/> DM1 1-10V	<input type="checkbox"/> MC Metallic
		<input type="checkbox"/> DL DALI	<input type="checkbox"/> Cus Custom on request
		<input type="checkbox"/> TR TRIAC	

A-Loop Soft Shift Module Finishes

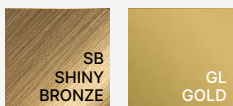
Standard finishes



Wood-effect finishes



Metallic finishes

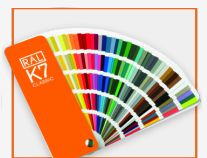


RAL K7 CLASSIC COLORS

(80-95% GLOSS): RAL_ _ _ _

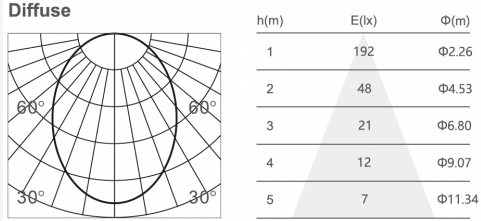
All RAL Classic colors are available with no setup fee.

On your specification submittal, choose your RAL color by entering the 4-digit RAL code (e.g., RAL 3003).



Photometric Data

A-Loop Soft Shift 4



A-Loop Soft Shift 6

