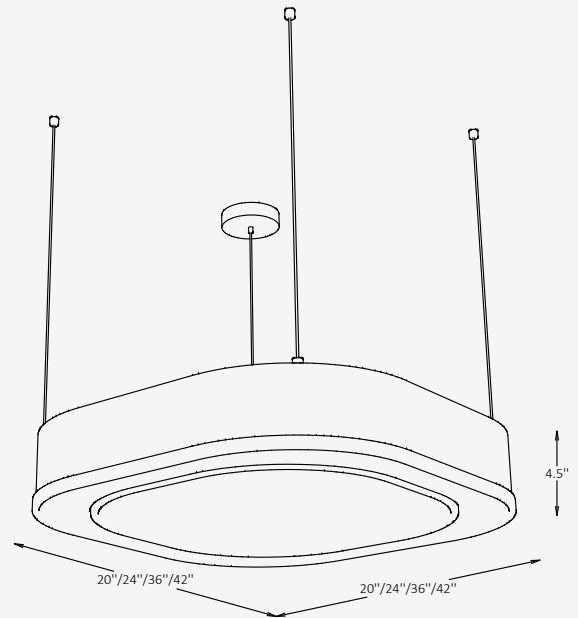




GENERAL INFORMATION

The CRESKA is a soft-edged acoustic pendant designed to blend illumination and sound control within modern architectural spaces. Its rounded square form pairs a precision-molded aluminum frame with high-performance acoustic fiber, delivering effective noise absorption while providing a wide, comfortable spread of light. Available in multiple sizes, lumen packages, and color temperatures, CRESKA offers designers a flexible, visually refined solution that enhances spatial comfort, clarity, and contemporary interior character.



SPECIFICATIONS

Material	Aluminum, 100% P.E.T. Felt
Lens	Polycarbonate, Frosted
Length	20" / 24" / 36" / 42"
Width	20" / 24" / 36" / 42"
Height	4.5"
Input Voltage	110-277V, 50-60 Hz
Light Source Type	LED
Power	15W / 70W / 150W / 180W
LED Output	85 lm/W
CCT	2700K / 3000K / 3500K / 4000K
CRI	90
Dimming & Driver	Integral, 0-10V
Light Distribution	Direct
IP Rating	IP 20
Finishes	27 acoustic fiber finishes
Warranty	5 years

OTHER VERSIONS AVAILABLE



CERTIFICATION



Project

Notes

Ordering Information

Select one item from each category below. If your desired option is unavailable, please contact our team for support or custom solutions.

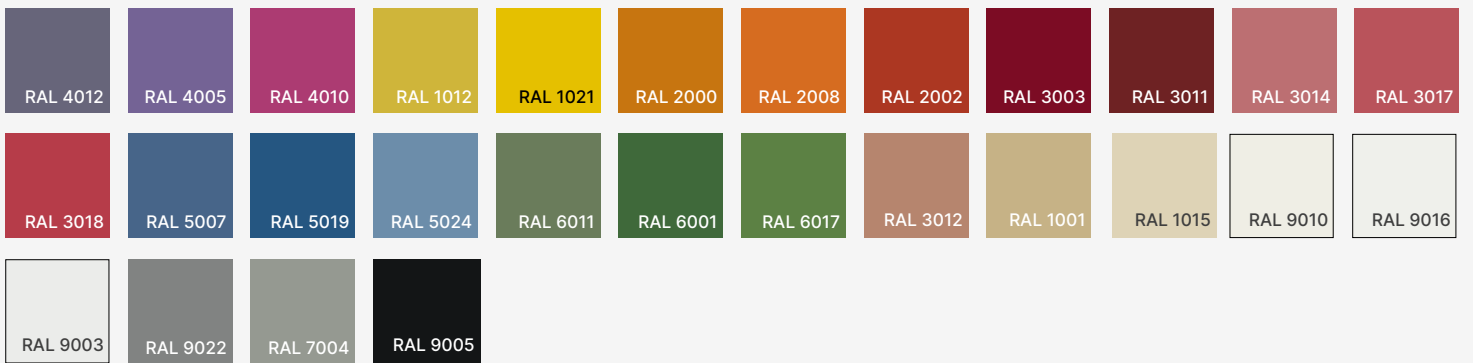
Code	Length / Width / Wattage / Lumens	CCT	Light Distribution
<input checked="" type="checkbox"/> CRS Acoustic / Pendant	<input type="checkbox"/> 12 20" / 20" / 15 W / 1275 lm <input type="checkbox"/> 59 24" / 24" / 70 W / 5950 lm <input type="checkbox"/> 127 36" / 36" / 150 W / 12,750 lm <input type="checkbox"/> 153 42" / 42" / 180 W / 15,300 lm <input type="checkbox"/> Cus Custom on request	<input type="checkbox"/> 27 2700K <input type="checkbox"/> 30 3000K <input type="checkbox"/> 35 3500K <input type="checkbox"/> 40 4000K <input type="checkbox"/> Cus Custom on request	<input checked="" type="checkbox"/> DR Direct
Dimming	Acoustic Fiber Finish Option	Metal Trim Finish Option	Canopy Finish Option
<input type="checkbox"/> NN Non-Dimmable <input type="checkbox"/> DM 0-10V	<input type="checkbox"/> AF Acoustic fibers	<input type="checkbox"/> ST Standard <input type="checkbox"/> MC Metallic <input type="checkbox"/> Cus Custom on request	<input type="checkbox"/> ST Standard <input type="checkbox"/> MC Metallic <input type="checkbox"/> Cus Custom on request
Cord Length	Cord Finish Option	Mounting	
<input type="checkbox"/> L5 59" (adjustable) <input type="checkbox"/> L11 118" (adjustable) <input type="checkbox"/> Cus Custom on request	<input type="checkbox"/> SV Standard Vinyl <input type="checkbox"/> DB Decorative Braided <input type="checkbox"/> Cus Custom on request	<input type="checkbox"/> CT Central Canopy Suspension <input type="checkbox"/> MO Multi-Point Suspension	

Finishes

Acoustic fiber finishes



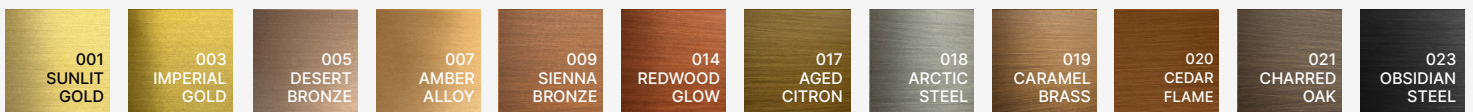
Standard finishes



Wood-effect finishes



Metallic finishes



Cord finishes

Standard Vinyl



Decorative Braided



RAL K7 CLASSIC COLORS (80-95% GLOSS): RAL_ _ _ _

All RAL Classic colors are available with no setup fee.

On your specification submittal, choose your RAL color by entering the 4-digit RAL code (e.g., RAL 3003).

