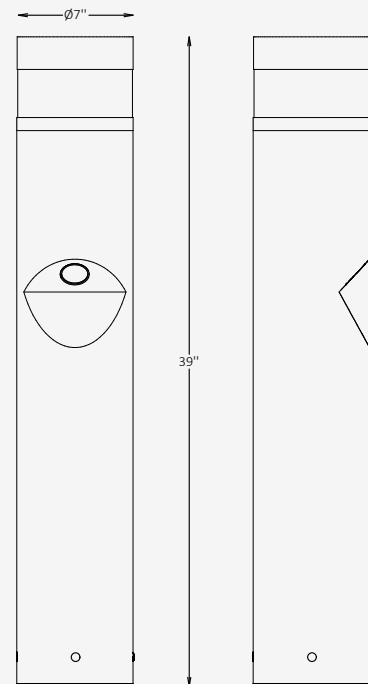




GENERAL INFORMATION

DAVORN is an outdoor bollard combining soft 360° top illumination with a focused side accent light. The frosted acrylic diffuser provides comfortable ambient visibility, while the precision-cut opening adds directional lighting for pathways, gardens, and architectural outdoor spaces. Built from durable aluminum, DAVORN is available in wood-effect, RAL, and metallic finishes. Optional integrated GFCI and NEMA receptacle configurations add practical functionality for exterior applications.



SPECIFICATIONS

Material	Aluminum, Acrylic
Diffuser	Acrylic, Frosted
Diameter	7"
Height	39"
Input Voltage	110-277V, 50-60 Hz
Light Source Type	LED
Power	Top Light - 5W / 9W / 13W / 18W Accent Light - 4W / 7W / 12W / 15W
LED Output	90 lm/W
CCT	2700K / 3000K / 3500K / 4000K / 5000K
CRI	90
Dimming & Driver	Integral, 0-10V
Light Distribution	Top - 360°, Diffused & Accent - 16°/27°/43°
IP Rating	IP 65
Warranty	5 years
Finishes	16 RAL finishes 8 wood-effect finishes 12 metallic finishes Custom on request*
Outlet Option	120V GFCI duplex receptacle with lockable weatherproof in-use cover. NEMA receptacle option, type by project requirement.
Operating Temp.	-40°C to +50°C (-40°F to +122°F)

OTHER VERSIONS AVAILABLE



CERTIFICATION



Project

Notes

Ordering Information

Select one item from each category below. If your desired option is unavailable, please contact our team for support or custom solutions.

Code	Diameter Ø	Height	Material
<input checked="" type="checkbox"/> DVR-B Bollard	<input type="checkbox"/> 7 7"	<input type="checkbox"/> 39 39"	<input type="checkbox"/> ALC Aluminum + Acrylic
	<input type="checkbox"/> Cus Custom on request	<input type="checkbox"/> Cus Custom on request	<input type="checkbox"/> Cus Custom on request
Top Light CCT Option	Accent Light CCT Option	Top Light Wattage / Lumens	Accent Light Wattage / Lumens
<input type="checkbox"/> 27 2700K	<input type="checkbox"/> 27 2700K	<input type="checkbox"/> 5 5W / 450 lm	<input type="checkbox"/> 4 4W / 360 lm
<input type="checkbox"/> 30 3000K	<input type="checkbox"/> 30 3000K	<input type="checkbox"/> 9 9W / 810 lm	<input type="checkbox"/> 7 7W / 630 lm
<input type="checkbox"/> 35 3500K	<input type="checkbox"/> 35 3500K	<input type="checkbox"/> 13 13W / 1170 lm	<input type="checkbox"/> 12 12W / 1080 lm
<input type="checkbox"/> 40 4000K	<input type="checkbox"/> 40 4000K	<input type="checkbox"/> 18 18W / 1620 lm	<input type="checkbox"/> 15 15W / 1350 lm
<input type="checkbox"/> 50 5000K	<input type="checkbox"/> 50 5000K	<input type="checkbox"/> Cus Custom on request	<input type="checkbox"/> Cus Custom on request
<input type="checkbox"/> AM Amber Light	<input type="checkbox"/> AM Amber Light		
Accent Light Distribution	Dimming	Body Finish Option	Cover & Ring Finish Option
<input type="checkbox"/> N16 16° Narrow	<input type="checkbox"/> NN Non-Dimmable	<input type="checkbox"/> ST Standard	<input type="checkbox"/> ST Standard
<input type="checkbox"/> M27 27° Medium	<input type="checkbox"/> DM 0-10V	<input type="checkbox"/> WE Wood effect	<input type="checkbox"/> WE Wood effect
<input type="checkbox"/> W43 43° Wide		<input type="checkbox"/> MC Metallic	<input type="checkbox"/> MC Metallic
<input type="checkbox"/> Cus Custom on request		<input type="checkbox"/> Cus Custom on request	<input type="checkbox"/> Cus Custom on request
Mounting	Outlet Option		
<input type="checkbox"/> SM Surface-mounted	<input type="checkbox"/> NO No outlet		
<input type="checkbox"/> AB Anchored Base	<input type="checkbox"/> GFCI 120V GFCI duplex receptacle with lockable weatherproof in-use cover		
	<input type="checkbox"/> NEMA Project-specific NEMA receptacle; type to be confirmed per project requirement		

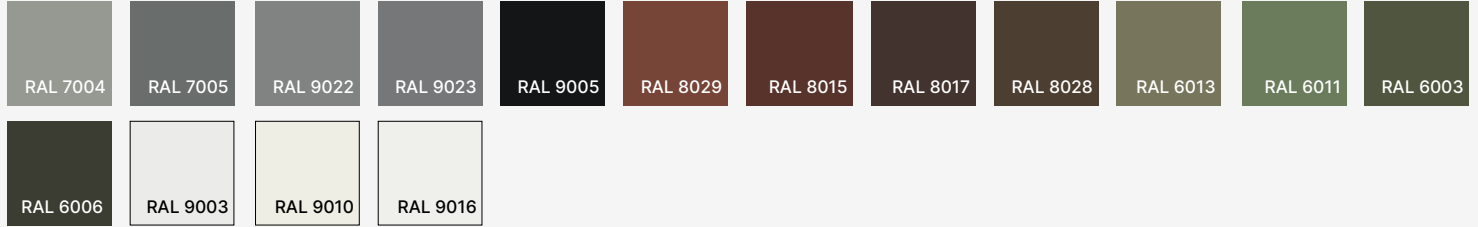
Note: NEMA receptacle options are available upon request. Exact configuration, voltage, amperage, wiring, and cover type must be confirmed prior to production.

Project

Notes

Finishes

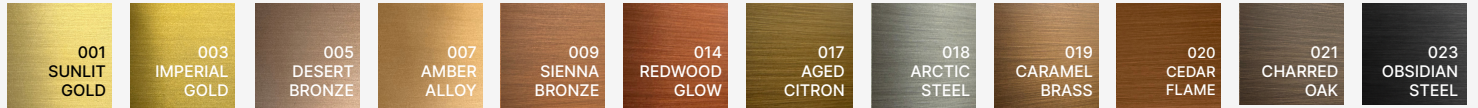
Standard finishes



Wood-effect finishes



Metallic finishes



RAL K7 CLASSIC COLORS (80-95% GLOSS): RAL_ _ _ _

All RAL Classic colors are available with no setup fee.

On your specification submittal, choose your RAL color by entering the 4-digit RAL code (e.g., RAL 3003).

