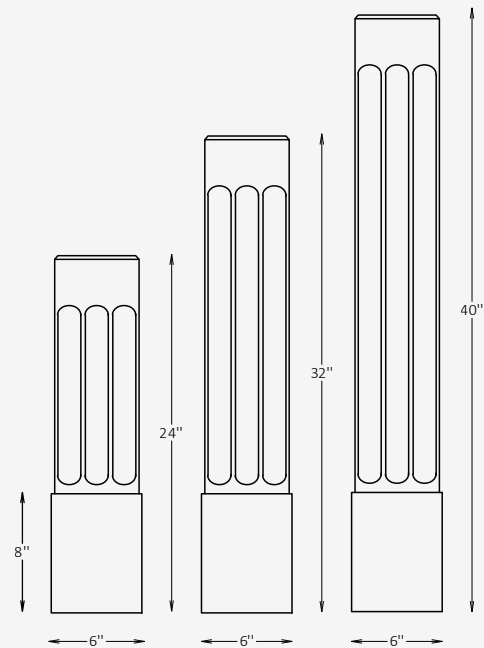




## GENERAL INFORMATION

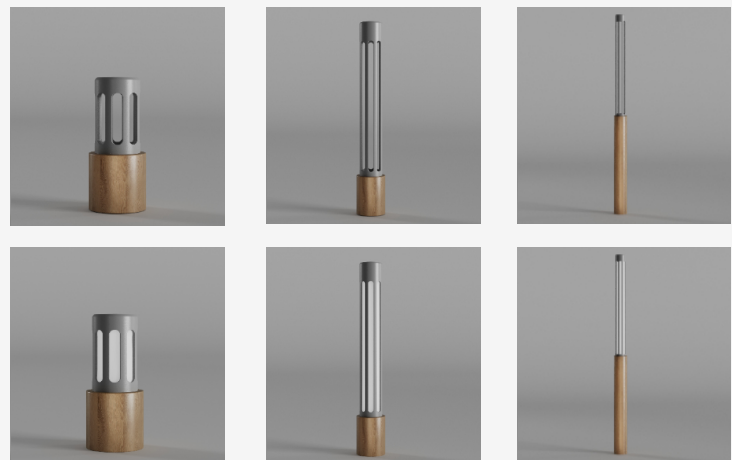
The ARBORIS FROSTED B is a durable architectural bollard luminaire constructed from extruded aluminum and frosted acrylic, designed for soft, 360° symmetrical illumination in outdoor environments such as pathways, plazas, and parks. Offering Type V distribution, multiple height and finish options, and 0-10V dimming, it combines visual comfort with robust performance and IP65 protection.



## SPECIFICATIONS

<b>Material</b>	Extruded Aluminum + PMMA
<b>Lens</b>	Frosted, Acrylic
<b>Diameter</b>	6" / Custom on request*
<b>Total Height</b>	24" / 32" / 40"
<b>Base Height</b>	8"
<b>Light Source Type</b>	LED
<b>Power</b>	10W / 19W / 28W
<b>Input Voltage</b>	110-277V, 50-60 Hz
<b>LED Output</b>	48 lm/W
<b>CCT</b>	2200K / 2700K / 3000K / 4000K / 5000K
<b>CRI</b>	90
<b>Dimming &amp; Driver</b>	Integral, 0-10V
<b>Light Distribution</b>	Type V 360° symmetrical light distribution
<b>IP Rating</b>	IP 65
<b>Warranty</b>	5 years
<b>Finishes</b>	16 standard finishes 8 wood-effect finishes 12 metallic finishes Custom on request*
<b>Operating Temp.</b>	-40°C to +50°C (-40°F to +122°F)

## OTHER VERSIONS AVAILABLE



## CERTIFICATION



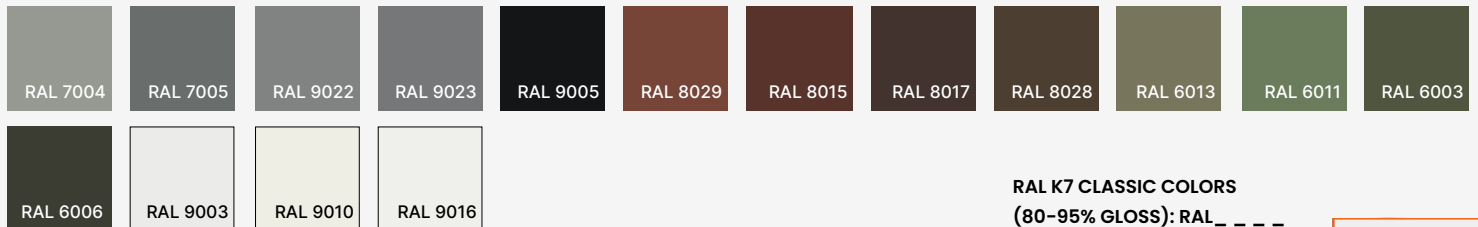
## Ordering Information

Select one item from each category below. If your desired option is unavailable, please contact our team for support or custom solutions.

Code	Diameter Ø	Height	Material
<input checked="" type="checkbox"/> <b>ARBF-B</b> Bollard	<input type="checkbox"/> <b>6</b> 6"	<input type="checkbox"/> <b>24</b> 24"	<input checked="" type="checkbox"/> <b>AL</b> Extruded Aluminum
	<input type="checkbox"/> <b>Cus</b> Custom on request	<input type="checkbox"/> <b>32</b> 32"	
		<input type="checkbox"/> <b>40</b> 40"	
		<input type="checkbox"/> <b>Cus</b> Custom on request	
CCT	Wattage / Lumens	Light Distribution	Dimming
<input type="checkbox"/> <b>22</b> 2200K	<input type="checkbox"/> <b>4</b> 10 W / 480 lm	<input checked="" type="checkbox"/> <b>LD5</b> Type V	<input type="checkbox"/> <b>NN</b> Non-Dimmable
<input type="checkbox"/> <b>30</b> 3000K	<input type="checkbox"/> <b>9</b> 19 W / 910 lm	<input type="checkbox"/> 360° symmetrical light distribution	<input type="checkbox"/> <b>DM</b> 0-10V
<input type="checkbox"/> <b>40</b> 4000K	<input type="checkbox"/> <b>13</b> 28 W / 1350 lm		
<input type="checkbox"/> <b>50</b> 5000K	<input type="checkbox"/> <b>Cus</b> Custom on request		
Body Finish Options	Base Finish Options	Mounting	Finish Type
<input type="checkbox"/> <b>ST</b> Standard	<input type="checkbox"/> <b>ST</b> Standard	<input type="checkbox"/> <b>SM</b> Surface-mounted	<input type="checkbox"/> <b>GL</b> Glossy
<input type="checkbox"/> <b>WE</b> Wood effect	<input type="checkbox"/> <b>WE</b> Wood effect	<input type="checkbox"/> <b>AB</b> Anchored Base	<input type="checkbox"/> <b>MT</b> Matte
<input type="checkbox"/> <b>MC</b> Metallic	<input type="checkbox"/> <b>MC</b> Metallic		
<input type="checkbox"/> <b>Cus</b> Custom on request	<input type="checkbox"/> <b>Cus</b> Custom on request		

## Finishes

### Standard finishes



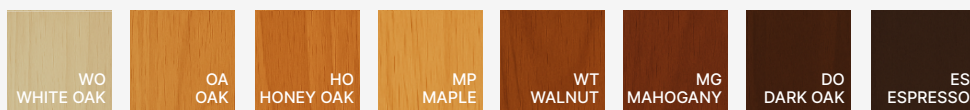
**RAL K7 CLASSIC COLORS**  
(80-95% GLOSS): RAL\_ \_ \_ \_

All RAL Classic colors are available with no setup fee.

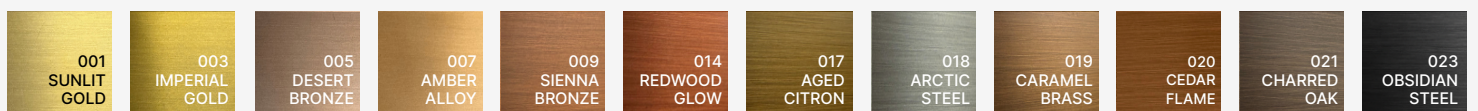
On your specification submittal, choose your RAL color by entering the 4-digit RAL code (e.g., RAL 3003).



### Wood-effect finishes

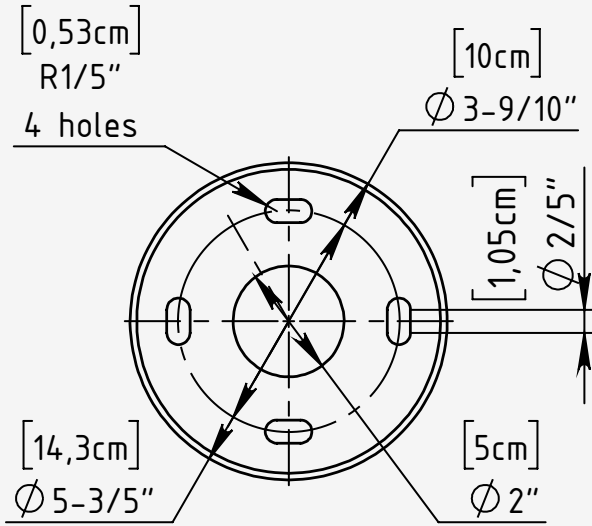


### Metallic finishes



## Bolt Patterns

for Surface-mounted Installation



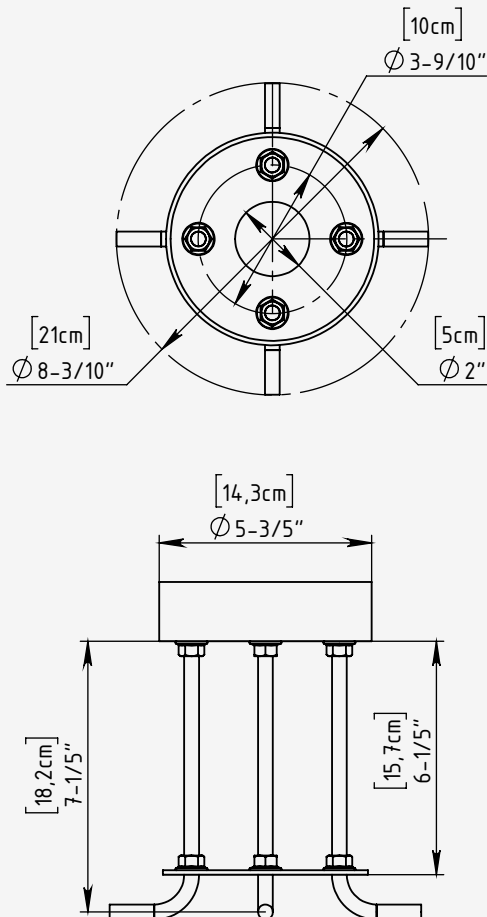
<b>Mounting Type</b>	Surface-mounted
<b>Base Plate Material</b>	Stainless Steel
<b>Bolt Mounting Circle</b>	Ø: 4-7/10"
<b>Number of Anchor Bolt</b>	4 equally holes (90° apart)
<b>Bolt Size</b>	1/4"-20 x 3 1/4" concrete anchor bolt

### Installation Notes:

- Use a manufacturer-supplied base plate to position anchor bolts accurately.
- Ensure bolts are embedded vertically and aligned to avoid fixture tilt.
- Grouting under the base plate is recommended for leveling and load distribution.
- Allow clearance for wiring through the center opening and access to bolt heads if concealed.

## Bolt Patterns

for Anchored Base Installation



<b>Mounting Type</b>	Anchored Base
<b>Base Plate Material</b>	Stainless Steel
<b>Bolt Mounting Circle</b>	Ø: 4-7/10"
<b>Number of Anchor Kit</b>	4 equally holes (90° apart)
<b>Anchor Kit Size</b>	3/8"-16 x 10" L-Hook concrete anchor bolt

### Installation Notes:

- Pour Concrete Footer and Set Anchors
- Prepare the concrete footer formwork. ( The footer size should be determined by local frost depth and soil conditions.
- Recommended minimum size: 12" diameter x 20" depth.) Before pouring, assemble the galvanized steel L-bolt anchors with the included steel mounting plate.
- Position the assembly inside the formwork.
- As concrete is poured, insert the anchor assembly into the wet concrete using the mounting plate to ensure correct positioning and alignment.
- Allow clearance through the center opening for electrical wiring, and ensure future access to bolt heads if they will be concealed.
- Ensure all anchors are properly aligned and fully embedded. Allow the concrete to cure completely before proceeding.