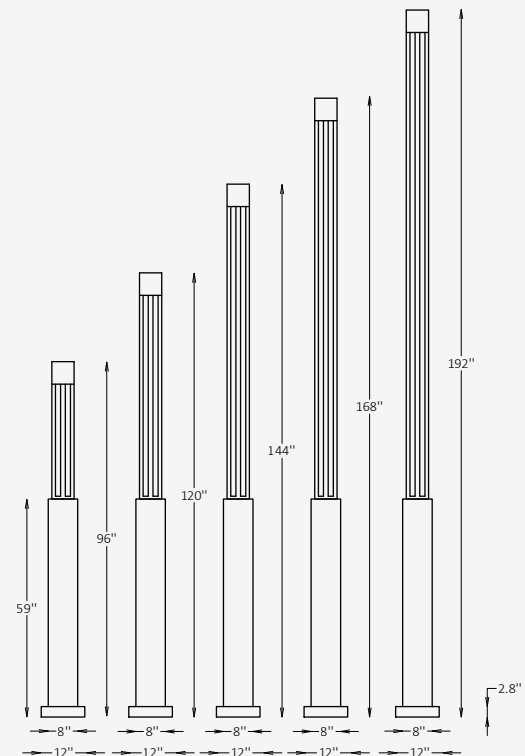




## GENERAL INFORMATION

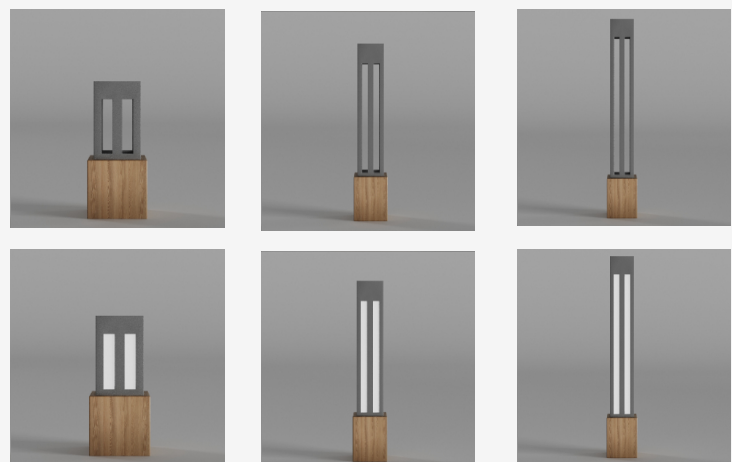
The SYLVA FROSTED C is a vertical column luminaire engineered from extruded aluminum to deliver uniform 360° Type V illumination for large-scale exterior environments such as plazas, campuses, and walkways. With multiple height and wattage options, IP65 protection, and 0-10V dimming, it offers architectural presence, durability, and flexible lighting performance in a cohesive system.



## SPECIFICATIONS

<b>Material</b>	Extruded Aluminum + PMMA
<b>Lens</b>	Frosted, Acrylic
<b>Length / Width</b>	8" x 8" / Custom on request*
<b>Total Height</b>	96" / 120" / 144" / 168" / 192"
<b>Base Height</b>	59"
<b>Light Source Type</b>	LED
<b>Power</b>	42W / 54W / 78W
<b>Input Voltage</b>	110-277V, 50-60 Hz
<b>LED Output</b>	48 lm/W
<b>CCT</b>	2200K / 2700K / 3000K / 4000K / 5000K
<b>CRI</b>	90
<b>Dimming &amp; Driver</b>	Integral, 0-10V
<b>Light Distribution</b>	Type V 360° symmetrical light distribution
<b>IP Rating</b>	IP 65
<b>Warranty</b>	5 years
<b>Finishes</b>	16 standard finishes 8 wood-effect finishes 12 metallic finishes Custom on request*
<b>Operating Temp.</b>	-40°C to +50°C (-40°F to +122°F)

## OTHER VERSIONS AVAILABLE



## CERTIFICATION



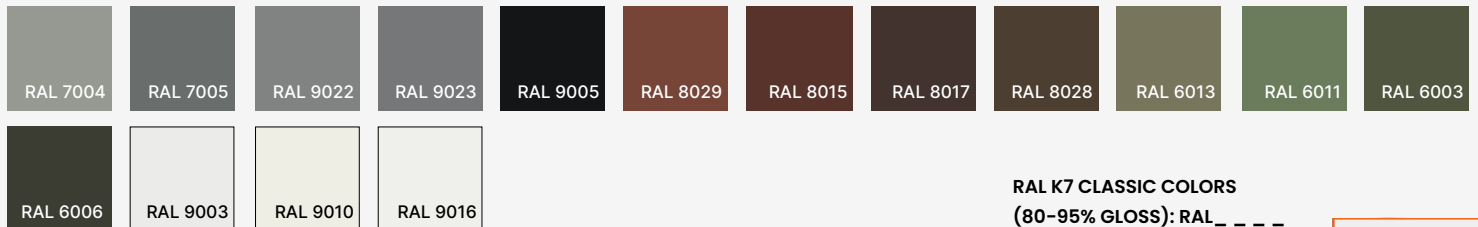
## Ordering Information

Select one item from each category below. If your desired option is unavailable, please contact our team for support or custom solutions.

Code	Length / Width	Height	Material
<input checked="" type="checkbox"/> <b>SLVF-C</b> Column	<input type="checkbox"/> <b>8</b> 8" x 8" <input type="checkbox"/> <b>Cus</b> Custom on request	<input type="checkbox"/> <b>96</b> 96" <input type="checkbox"/> <b>168</b> 168" <input type="checkbox"/> <b>120</b> 120" <input type="checkbox"/> <b>192</b> 192" <input type="checkbox"/> <b>144</b> 144" <input type="checkbox"/> <b>Cus</b> Custom on request	<input checked="" type="checkbox"/> <b>AL</b> Extruded Aluminum
CCT	Wattage / Lumens	Light Distribution	Dimming
<input type="checkbox"/> <b>22</b> 2200K <input type="checkbox"/> <b>30</b> 3000K <input type="checkbox"/> <b>40</b> 4000K <input type="checkbox"/> <b>50</b> 5000K	<input type="checkbox"/> <b>20</b> 42 W / 2015 lm <input type="checkbox"/> <b>25</b> 54 W / 2590 lm <input type="checkbox"/> <b>37</b> 78 W / 3750 lm <input type="checkbox"/> <b>Cus</b> Custom on request	<input checked="" type="checkbox"/> <b>LD5</b> Type V  360° symmetrical light distribution	<input type="checkbox"/> <b>NN</b> Non-Dimmable <input type="checkbox"/> <b>DM</b> 0-10V
Body Finish Option	Base Finish Option	Mounting	Finish Type
<input type="checkbox"/> <b>ST</b> Standard <input type="checkbox"/> <b>WE</b> Wood effect <input type="checkbox"/> <b>MC</b> Metallic <input type="checkbox"/> <b>Cus</b> Custom on request	<input type="checkbox"/> <b>ST</b> Standard <input type="checkbox"/> <b>WE</b> Wood effect <input type="checkbox"/> <b>MC</b> Metallic <input type="checkbox"/> <b>Cus</b> Custom on request	<input checked="" type="checkbox"/> <b>AB</b> Anchored Base	<input type="checkbox"/> <b>GL</b> Glossy <input type="checkbox"/> <b>MT</b> Matte

## Finishes

### Standard finishes



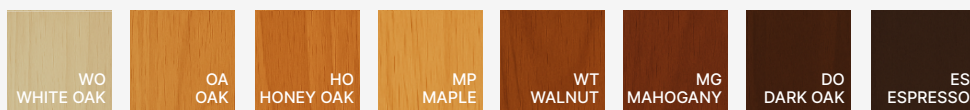
**RAL K7 CLASSIC COLORS**  
(80-95% GLOSS): RAL\_ \_ \_ \_

All RAL Classic colors are available with no setup fee.

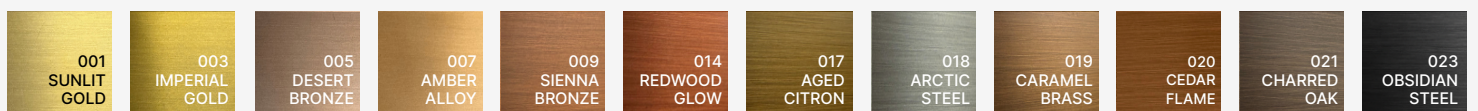
On your specification submittal, choose your RAL color by entering the 4-digit RAL code (e.g., RAL 3003).



### Wood-effect finishes

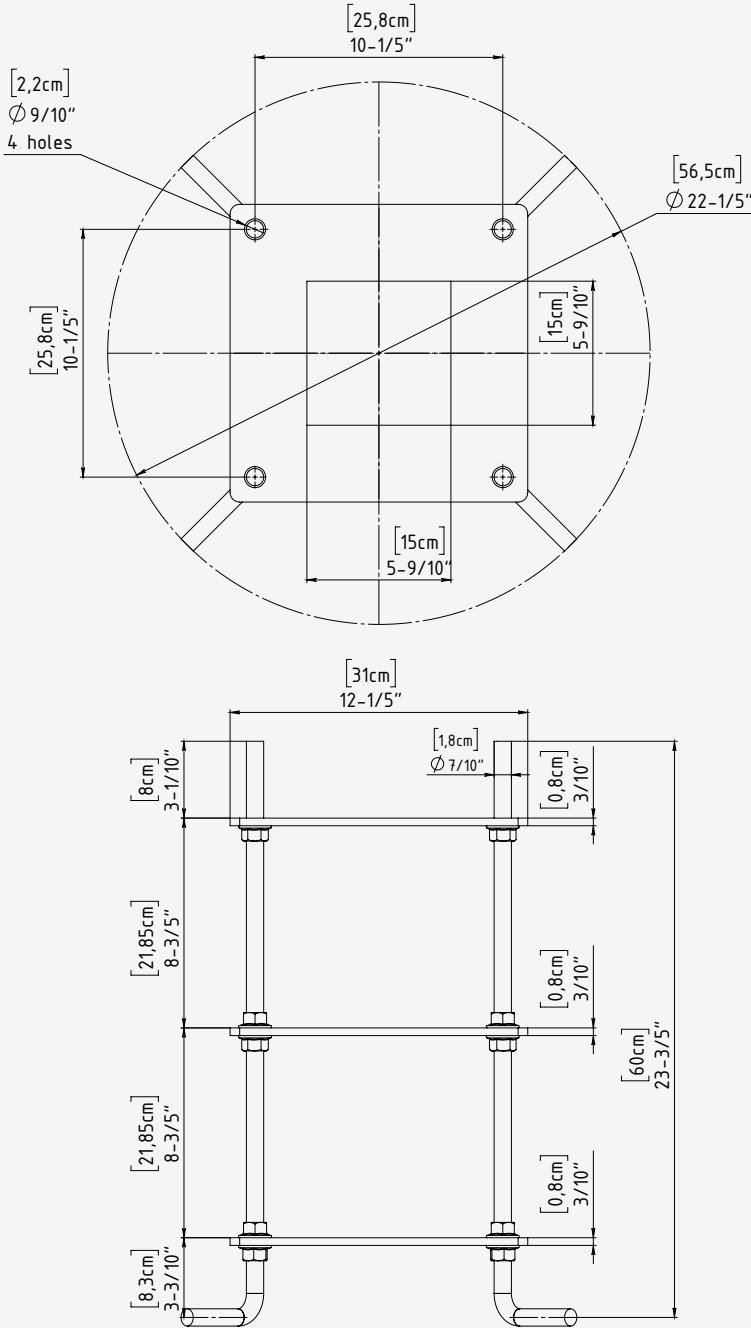


### Metallic finishes



# Bolt Patterns

for Anchored Base Installation



<b>Mounting Type</b>	Anchored Base
<b>Base Plate Material</b>	Stainless Steel
<b>Bolt Mounting Circle</b>	Ø: 4-7/10"
<b>Number of Anchor Kit</b>	4 equally holes (90° apart)
<b>Anchor Kit Size</b>	3/8"-16 x 10" L-Hook concrete anchor bolt

### Installation Notes:

- Pour Concrete Footer and Set Anchors
- Prepare the concrete footer formwork. ( The footer size should be determined by local frost depth and soil conditions.
- Recommended minimum size: 12" diameter × 20" depth.) Before pouring, assemble the galvanized steel L-bolt anchors with the included steel mounting plate.
- Position the assembly inside the formwork.
- As concrete is poured, insert the anchor assembly into the wet concrete using the mounting plate to ensure correct positioning and alignment.
- Allow clearance through the center opening for electrical wiring, and ensure future access to bolt heads if they will be concealed.
- Ensure all anchors are properly aligned and fully embedded. Allow the concrete to cure completely before proceeding.