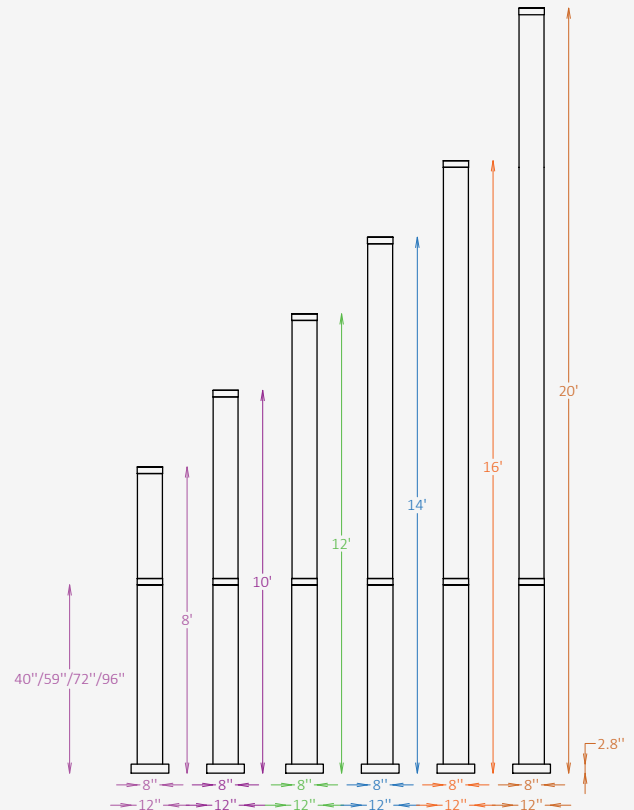




GENERAL INFORMATION

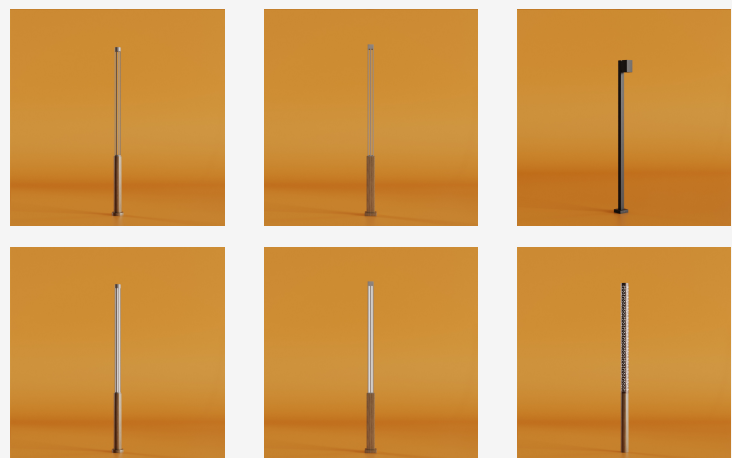
The THORNE C is a clean, vertical column luminaire designed for soft, glare-free 360° Type V illumination in architectural and landscape environments. Featuring a frosted acrylic lens and extruded aluminum body, it offers IP65-rated durability, multiple output and finish options, and seamless integration in large-scale pedestrian spaces.



SPECIFICATIONS

Material	Extruded Aluminum + PMMA
Lens	Frosted, Acrylic
Diameter	8"
Overall Height	8' / 10' / 12' / 14' / 16' / 20'
Base Height	40" / 59" / 72" / 96"
Light Source Type	LED
Power	23W / 35W / 45W / 60W / 85W
Input Voltage	110-277V, 50-60 Hz
LED Output	90 lm/W
CCT	2200K / 3000K / 3500K / 4000K / 5000K
CRI	90
Dimming & Driver	Integral, 0-10V
Light Distribution	Type V 360° symmetrical light distribution
IP Rating	IP 65
Warranty	5 years
Finishes	16 standard finishes 8 wood-effect finishes 12 metallic finishes Custom on request*
Operating Temp.	-40°C to +50°C (-40°F to +122°F)

OTHER VERSIONS AVAILABLE



CERTIFICATION



Ordering Information

Select one item from each category below. If your desired option is unavailable, please contact our team for support or custom solutions.

Code	Diameter Ø	Overall Height	Base Height
<input checked="" type="checkbox"/> THR-C Column	<input type="checkbox"/> 8 8" <input type="checkbox"/> CUS Custom on request	<input type="checkbox"/> 8 8' <input type="checkbox"/> 14 14' <input type="checkbox"/> 10 10' <input type="checkbox"/> 16 16' <input type="checkbox"/> 12 12' <input type="checkbox"/> 20 20' <input type="checkbox"/> CUS Custom on request	<input type="checkbox"/> 40 40" <input type="checkbox"/> 72 72" <input type="checkbox"/> 59 59" <input type="checkbox"/> 96 96" <input type="checkbox"/> CUS Custom on request
CCT	CCT	Wattage / Lumens	Light Distribution
<input checked="" type="checkbox"/> AL Extruded Aluminum + PMMA	<input type="checkbox"/> 22 2200K <input type="checkbox"/> 30 3000K <input type="checkbox"/> 35 3500K <input type="checkbox"/> 40 4000K <input type="checkbox"/> 50 5000K <input type="checkbox"/> CUS Custom on request	<input type="checkbox"/> 23 23W / 2070 lm <input type="checkbox"/> 35 35W / 3150 lm <input type="checkbox"/> 45 45W / 4050 lm <input type="checkbox"/> 60 60W / 5400 lm <input type="checkbox"/> 85 85W / 7650 lm <input type="checkbox"/> Cus Custom on request	<input checked="" type="checkbox"/> LD5 Type V 360° symmetrical light distribution
Dimming	Body Finish Option	Base Finish Option	Mounting
<input type="checkbox"/> NN Non-Dimmable <input type="checkbox"/> DM 0-10V	<input type="checkbox"/> ST Standard <input type="checkbox"/> WE Wood effect <input type="checkbox"/> MC Metallic <input type="checkbox"/> Cus Custom on request	<input type="checkbox"/> ST Standard <input type="checkbox"/> WE Wood effect <input type="checkbox"/> MC Metallic <input type="checkbox"/> Cus Custom on request	<input checked="" type="checkbox"/> AB Anchored Base
Finish Type			
<input type="checkbox"/> GL Glossy <input type="checkbox"/> MT Matte			

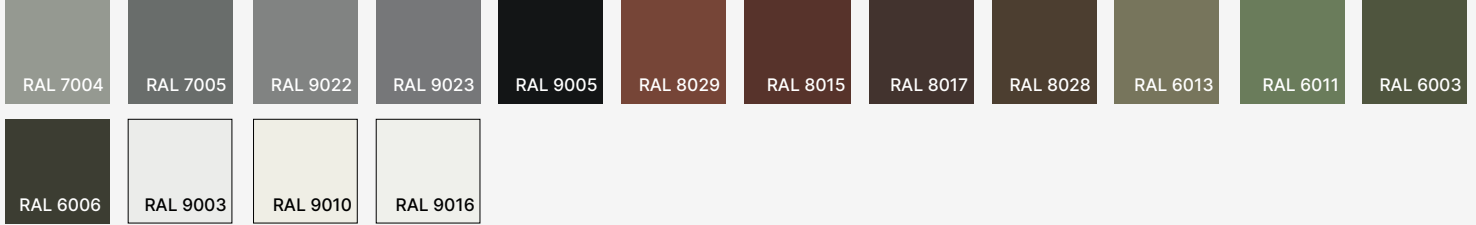
Note: Total height includes both the illuminated lens and the base. Lens height will automatically adjust based on the selected total height and base height.

Project

Notes

Finishes

Standard finishes



Wood-effect finishes



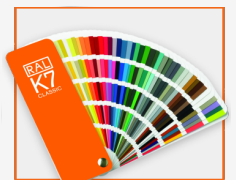
Metallic finishes



RAL K7 CLASSIC COLORS (80-95% GLOSS): RAL_ _ _ _

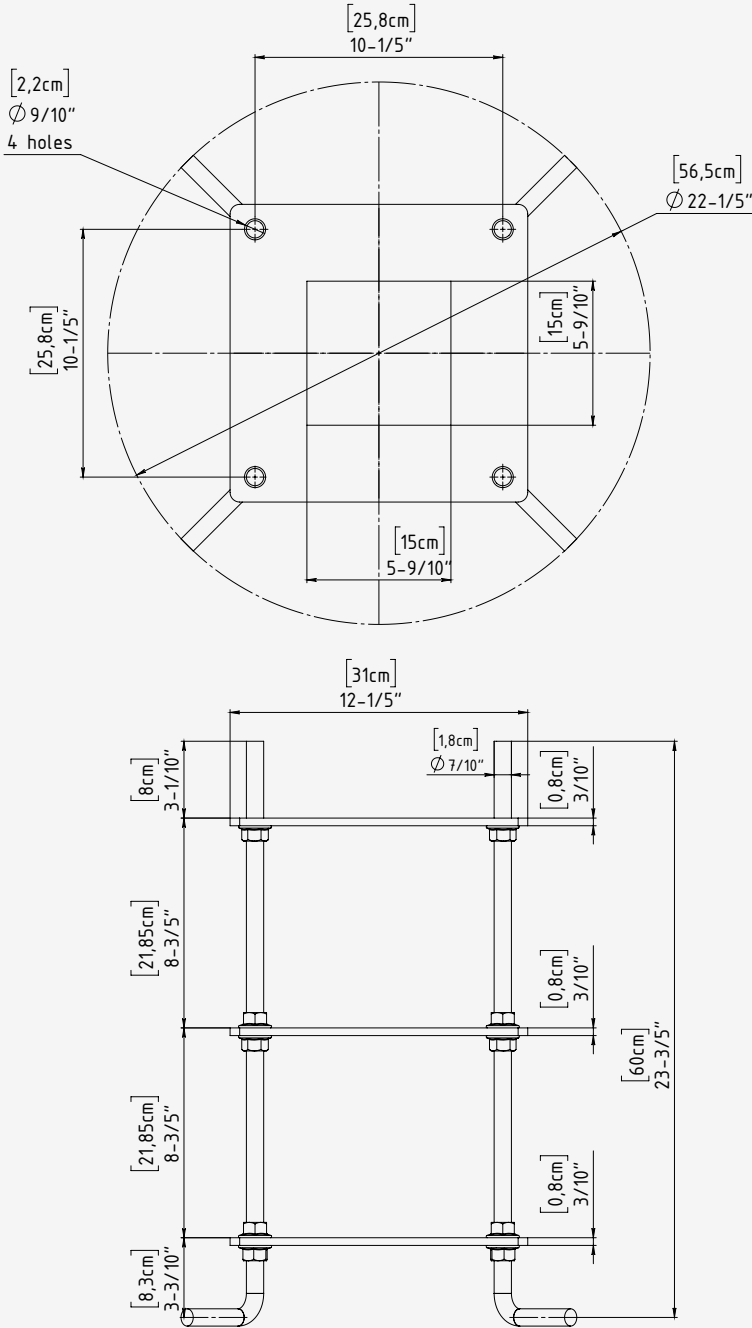
All RAL Classic colors are available with no setup fee.

On your specification submittal, choose your RAL color by entering the 4-digit RAL code (e.g., RAL 3003).



Bolt Patterns

for Anchored Base Installation



Mounting Type	Anchored Base
Base Plate Material	Stainless Steel
Bolt Mounting Circle	Ø: 4-7/10"
Number of Anchor Kit	4 equally holes (90° apart)
Anchor Kit Size	3/8"-16 x 10" L-Hook concrete anchor bolt

Installation Notes:

- Pour Concrete Footer and Set Anchors
- Prepare the concrete footer formwork. (The footer size should be determined by local frost depth and soil conditions.
- Recommended minimum size: 12" diameter × 20" depth.) Before pouring, assemble the galvanized steel L-bolt anchors with the included steel mounting plate.
- Position the assembly inside the formwork.
- As concrete is poured, insert the anchor assembly into the wet concrete using the mounting plate to ensure correct positioning and alignment.
- Allow clearance through the center opening for electrical wiring, and ensure future access to bolt heads if they will be concealed.
- Ensure all anchors are properly aligned and fully embedded. Allow the concrete to cure completely before proceeding.