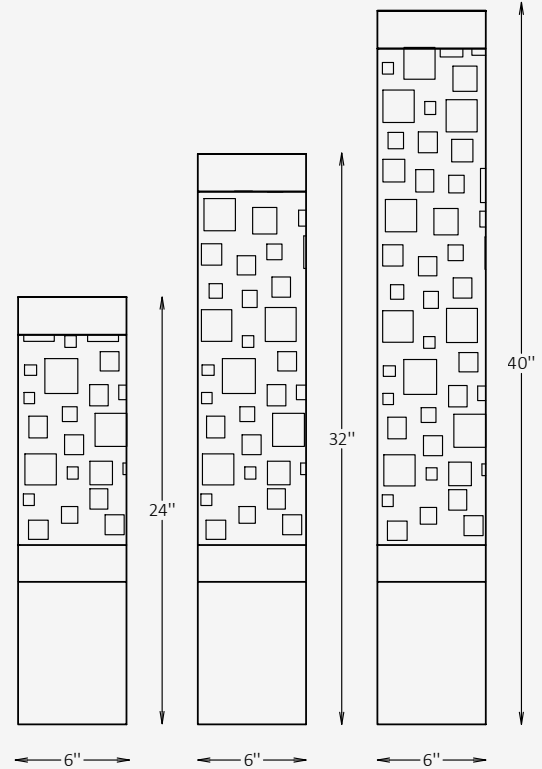




## GENERAL INFORMATION

The BRUME LASER B is a decorative bollard luminaire featuring a laser-cut aluminum sleeve over a frosted acrylic diffuser, delivering patterned 360° Type V illumination. Designed for visual impact in pedestrian and landscape areas, it combines architectural character, soft ambient lighting, and IP65-rated durability.



## SPECIFICATIONS

Material	Extruded Aluminum + PMMA
Lens	Frosted, Acrylic
Length / Width	6" x 6" / Custom on request*
Total Height	24" / 32" / 40"
Base Height	8"
Light Source Type	LED
Power	10W / 19W / 28W
Input Voltage	110-277V, 50-60 Hz
LED Output	48 lm/W
CCT	2200K / 2700K / 3000K / 4000K / 5000K
CRI	90
Dimming & Driver	Integral, 0-10V
Light Distribution	Type V 360° symmetrical light distribution
IP Rating	IP 65
Warranty	5 years
Finishes	16 standard finishes 8 wood-effect finishes 12 metallic finishes Custom on request*
Operating Temp.	-40°C to +50°C (-40°F to +122°F)

## OTHER VERSIONS AVAILABLE



## CERTIFICATION



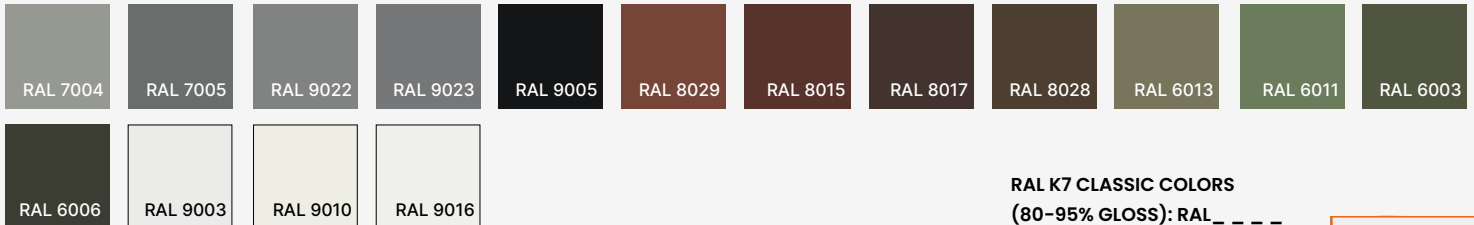
## Ordering Information

Select one item from each category below. If your desired option is unavailable, please contact our team for support or custom solutions.

Code	Length / Width	Height	Material
<input checked="" type="checkbox"/> <b>BRML-B</b> Bollard	<input type="checkbox"/> <b>6</b> 6" x 6"  <input type="checkbox"/> <b>Cus</b> Custom on request	<input type="checkbox"/> <b>24</b> 24"  <input type="checkbox"/> <b>32</b> 32"  <input type="checkbox"/> <b>40</b> 40"  <input type="checkbox"/> <b>Cus</b> Custom on request	<input checked="" type="checkbox"/> <b>AL</b> Extruded Aluminum
CCT	Wattage / Lumens	Light Distribution	Dimming
<input type="checkbox"/> <b>22</b> 2200K  <input type="checkbox"/> <b>30</b> 3000K  <input type="checkbox"/> <b>40</b> 4000K  <input type="checkbox"/> <b>50</b> 5000K	<input type="checkbox"/> <b>4</b> 10 W / 480 lm  <input type="checkbox"/> <b>9</b> 19 W / 910 lm  <input type="checkbox"/> <b>13</b> 28 W / 1350 lm  <input type="checkbox"/> <b>Cus</b> Custom on request	<input checked="" type="checkbox"/> <b>LD5</b> Type V  360° symmetrical light distribution	<input type="checkbox"/> <b>NN</b> Non-Dimmable  <input type="checkbox"/> <b>DM</b> 0-10V
Body Finish Option	Base Finish Option	Mounting	Laser-Cut Pattern
<input type="checkbox"/> <b>ST</b> Standard  <input type="checkbox"/> <b>WE</b> Wood effect  <input type="checkbox"/> <b>MC</b> Metallic  <input type="checkbox"/> <b>Cus</b> Custom on request	<input type="checkbox"/> <b>ST</b> Standard  <input type="checkbox"/> <b>WE</b> Wood effect  <input type="checkbox"/> <b>MC</b> Metallic  <input type="checkbox"/> <b>Cus</b> Custom on request	<input type="checkbox"/> <b>SM</b> Surface-mounted  <input type="checkbox"/> <b>AB</b> Anchored Base	<input type="checkbox"/> <b>NB</b> Nebula  <input type="checkbox"/> <b>SR</b> Strata  <input type="checkbox"/> <b>OB</b> Orbis  <input type="checkbox"/> <b>FR</b> Fragment  <input type="checkbox"/> <b>PS</b> Pulse  <input type="checkbox"/> <b>DR</b> Drift

## Finishes

### Standard finishes



**RAL K7 CLASSIC COLORS**  
(80-95% GLOSS): RAL\_ \_ \_ \_

All RAL Classic colors are available with no setup fee.

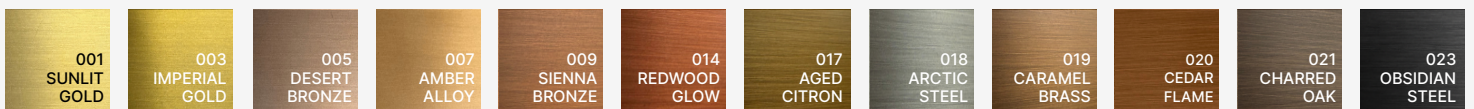
On your specification submittal, choose your RAL color by entering the 4-digit RAL code (e.g., RAL 3003).



### Wood-effect finishes

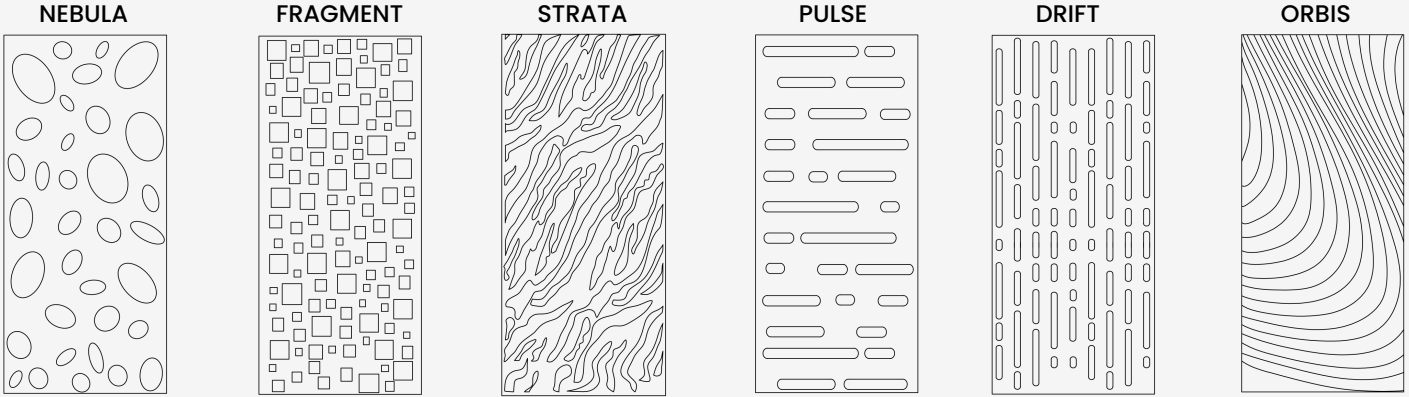


### Metallic finishes



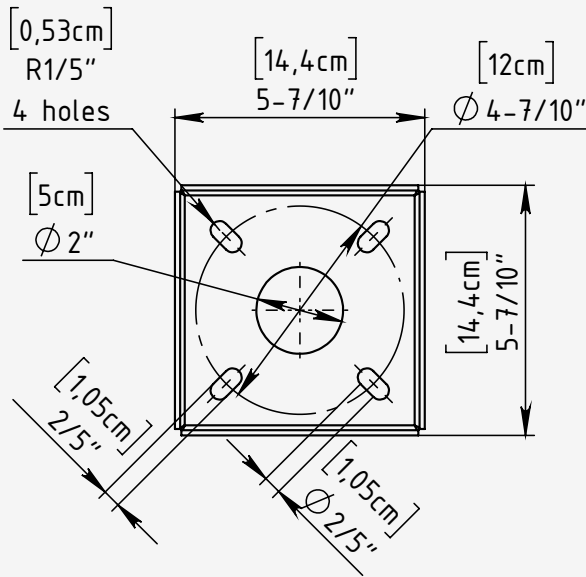
## Standard Laser-Cut Shield Designs

Shields are available in both 180° and 360° formats, with options ranging from standardized perforation patterns to fully bespoke designs. Solid 180° configurations can also be provided.



## Bolt Patterns

for Surface-mounted Installation



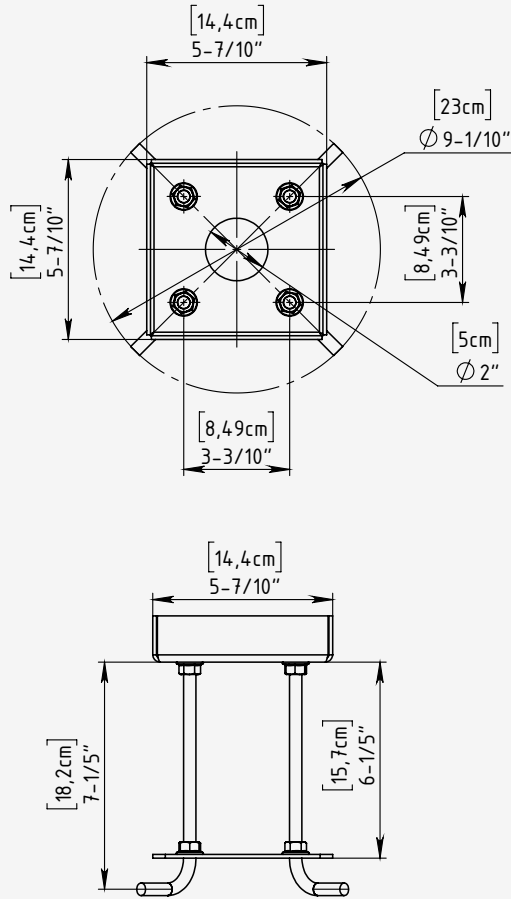
<b>Mounting Type</b>	Surface-mounted
<b>Base Plate Material</b>	Stainless Steel
<b>Bolt Mounting Circle</b>	Ø: 4-7/10"
<b>Number of Anchor Bolt</b>	4 equally holes (90° apart)
<b>Bolt Size</b>	1/4"-20 x 3 1/4" concrete anchor bolt

### Installation Notes:

- Use a manufacturer-supplied base plate to position anchor bolts accurately.
- Ensure bolts are embedded vertically and aligned to avoid fixture tilt.
- Grouting under the base plate is recommended for leveling and load distribution.
- Allow clearance for wiring through the center opening and access to bolt heads if concealed.

# Bolt Patterns

for Anchored Base Installation



<b>Mounting Type</b>	Anchored Base
<b>Base Plate Material</b>	Stainless Steel
<b>Bolt Mounting Circle</b>	Ø: 4-7/10"
<b>Number of Anchor Kit</b>	4 equally holes (90° apart)
<b>Anchor Kit Size</b>	3/8"-16 x 10" L-Hook concrete anchor bolt

## Installation Notes:

- Pour Concrete Footer and Set Anchors
- Prepare the concrete footer formwork. ( The footer size should be determined by local frost depth and soil conditions.
- Recommended minimum size: 12" diameter × 20" depth.) Before pouring, assemble the galvanized steel L-bolt anchors with the included steel mounting plate.
- Position the assembly inside the formwork.
- As concrete is poured, insert the anchor assembly into the wet concrete using the mounting plate to ensure correct positioning and alignment.
- Allow clearance through the center opening for electrical wiring, and ensure future access to bolt heads if they will be concealed.
- Ensure all anchors are properly aligned and fully embedded. Allow the concrete to cure completely before proceeding.