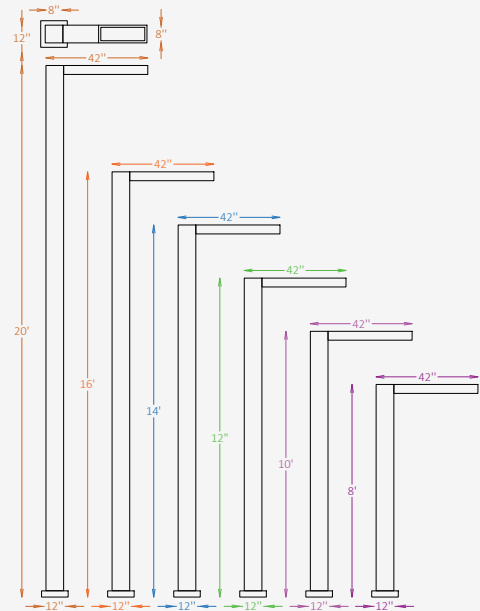




GENERAL INFORMATION

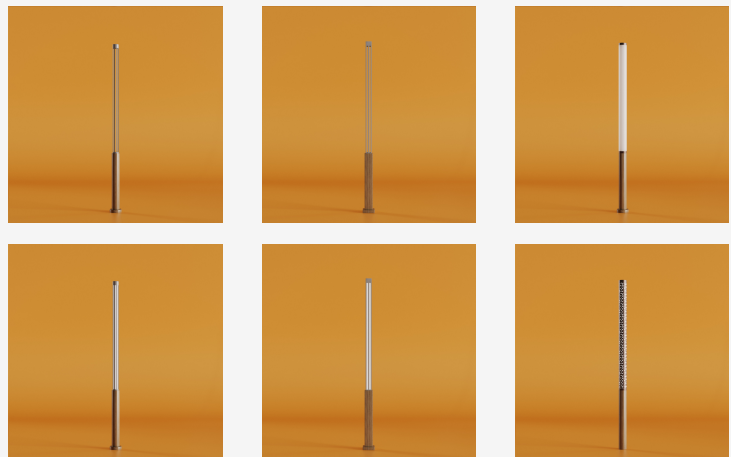
LINTEL C is an architectural outdoor lighting column designed to provide efficient illumination with a clean and contemporary appearance. Its slender vertical profile and integrated horizontal arm create a refined silhouette that complements modern landscapes and urban environments. Constructed from extruded aluminum and PMMA, LINTEL C is suitable for pathways, plazas, campuses, streetscapes, and commercial outdoor applications. Available in multiple heights, outputs, and light distributions, the fixture combines durability, performance, and design flexibility to enhance a wide range of exterior spaces.



SPECIFICATIONS

Material	Extruded Aluminum + PMMA
Lens	Frosted, Acrylic
Pole Profile	8" x 8"
Arm Projection	42" x 8"
Overall Height	8' / 10' / 12' / 14' / 16' / 20'
Light Source Type	LED
Power	35W / 45W / 60W / 80W / 100W
Input Voltage	110-277V, 50-60 Hz
LED Output	120 lm/W
CCT	2200K / 3000K / 3500K / 4000K / 5000K
CRI	90
Dimming & Driver	Integral, 0-10V
Light Distribution	Type I / Type II / Type III / Type IV / Type V
IP Rating	IP 65
Warranty	5 years
Finishes	16 standard finishes 8 wood-effect finishes 12 metallic finishes Custom on request*
Operating Temp.	-40°C to +50°C (-40°F to +122°F)

OTHER VERSIONS AVAILABLE



CERTIFICATION



Project

Notes

Ordering Information

Select one item from each category below. If your desired option is unavailable, please contact our team for support or custom solutions.

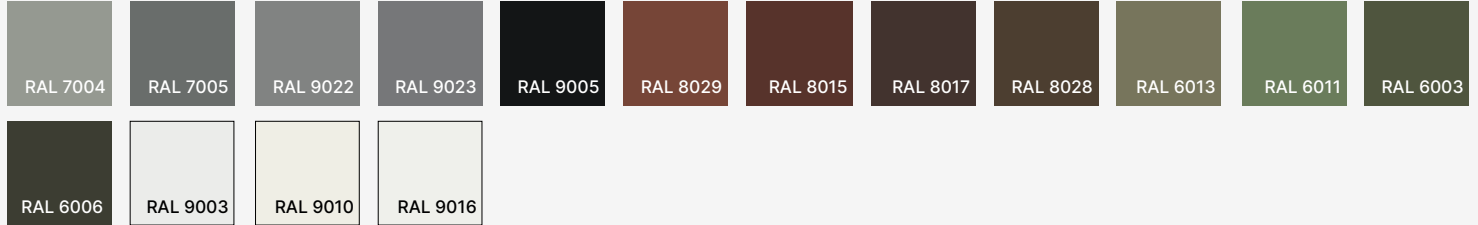
Code	Pole Profile	Overall Height	Material
<input checked="" type="checkbox"/> LNT-C Column	<input type="checkbox"/> 8 8" x 8" <input type="checkbox"/> Cus Custom on request	<input type="checkbox"/> 8 8' <input type="checkbox"/> 14 14' <input type="checkbox"/> 10 10' <input type="checkbox"/> 16 16' <input type="checkbox"/> 12 12' <input type="checkbox"/> 20 20' <input type="checkbox"/> CUS Custom on request	<input checked="" type="checkbox"/> AL Extruded Aluminum + PMMA
CCT	Wattage / Lumens	Light Distribution	Dimming
<input type="checkbox"/> 22 2200K <input type="checkbox"/> 30 3000K <input type="checkbox"/> 35 3500K <input type="checkbox"/> 40 4000K <input type="checkbox"/> 50 5000K <input type="checkbox"/> CUS Custom on request	<input type="checkbox"/> 35 35W / 4200 lm <input type="checkbox"/> 45 45W / 5400 lm <input type="checkbox"/> 60 60W / 7200 lm <input type="checkbox"/> 80 80W / 9600 lm <input type="checkbox"/> 100 100W / 12,000 lm <input type="checkbox"/> CUS Custom on request	<input type="checkbox"/> LD1 Type I <input type="checkbox"/> LD2 Type II <input type="checkbox"/> LD3 Type III <input type="checkbox"/> LD4 Type IV <input type="checkbox"/> LD5 Type V	<input type="checkbox"/> NN Non-Dimmable <input type="checkbox"/> DM 0-10V
Accent Insert Finish Option	Body Finish Option	Mounting	Finish Type
<input type="checkbox"/> ST Standard <input type="checkbox"/> WE Wood effect <input type="checkbox"/> MC Metallic <input type="checkbox"/> CUS Custom on request	<input type="checkbox"/> ST Standard <input type="checkbox"/> WE Wood effect <input type="checkbox"/> MC Metallic <input type="checkbox"/> CUS Custom on request	<input checked="" type="checkbox"/> AB Anchored Base	<input type="checkbox"/> GL Glossy <input type="checkbox"/> MT Matte

Project

Notes

Finishes

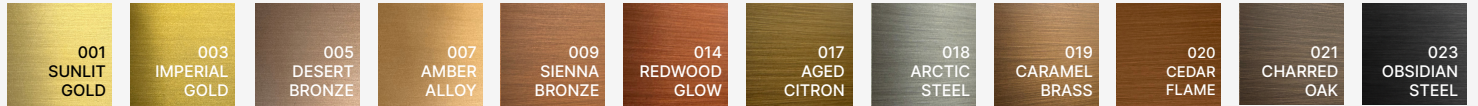
Standard finishes



Wood-effect finishes



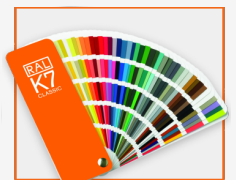
Metallic finishes



RAL K7 CLASSIC COLORS (80-95% GLOSS): RAL_ _ _ _

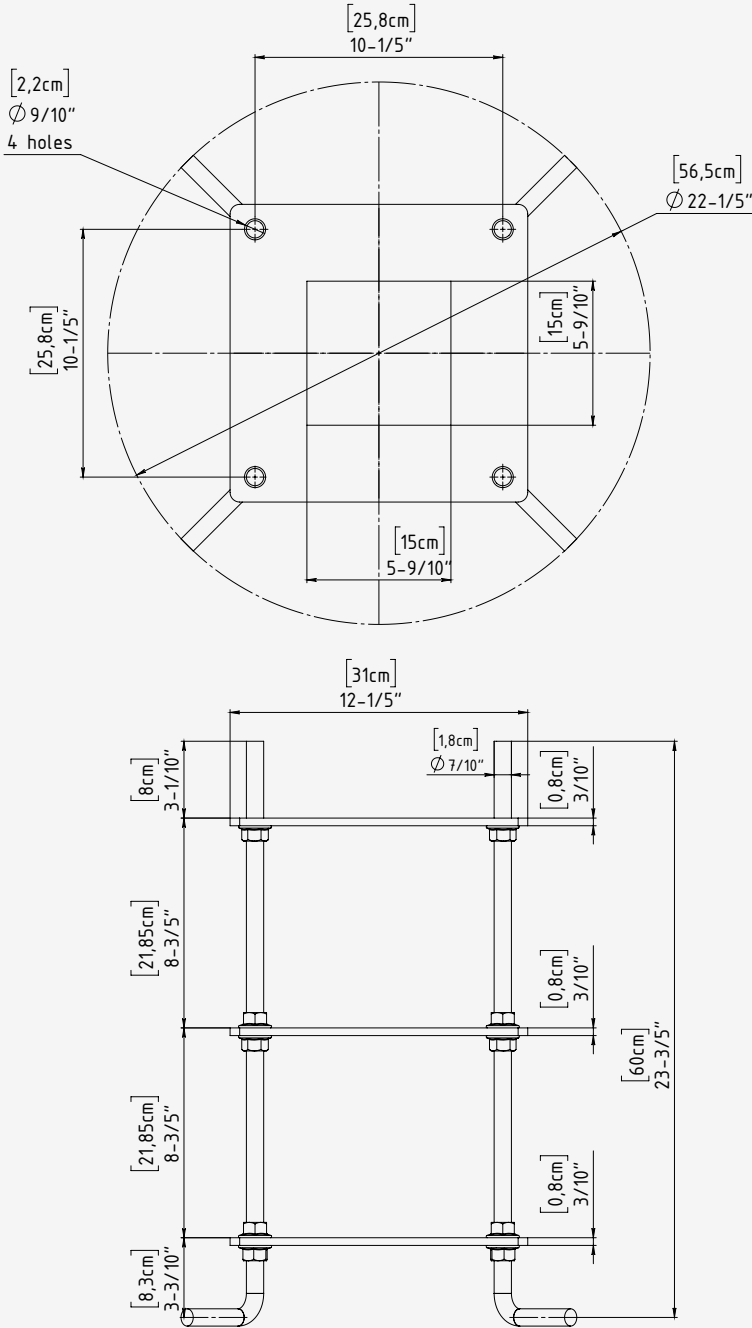
All RAL Classic colors are available with no setup fee.

On your specification submittal, choose your RAL color by entering the 4-digit RAL code (e.g., RAL 3003).



Bolt Patterns

for Anchored Base Installation



Mounting Type	Anchored Base
Base Plate Material	Stainless Steel
Bolt Mounting Circle	Ø: 4-7/10"
Number of Anchor Kit	4 equally holes (90° apart)
Anchor Kit Size	3/8"-16 x 10" L-Hook concrete anchor bolt

Installation Notes:

- Pour Concrete Footer and Set Anchors
- Prepare the concrete footer formwork. (The footer size should be determined by local frost depth and soil conditions.
- Recommended minimum size: 12" diameter × 20" depth.) Before pouring, assemble the galvanized steel L-bolt anchors with the included steel mounting plate.
- Position the assembly inside the formwork.
- As concrete is poured, insert the anchor assembly into the wet concrete using the mounting plate to ensure correct positioning and alignment.
- Allow clearance through the center opening for electrical wiring, and ensure future access to bolt heads if they will be concealed.
- Ensure all anchors are properly aligned and fully embedded. Allow the concrete to cure completely before proceeding.