

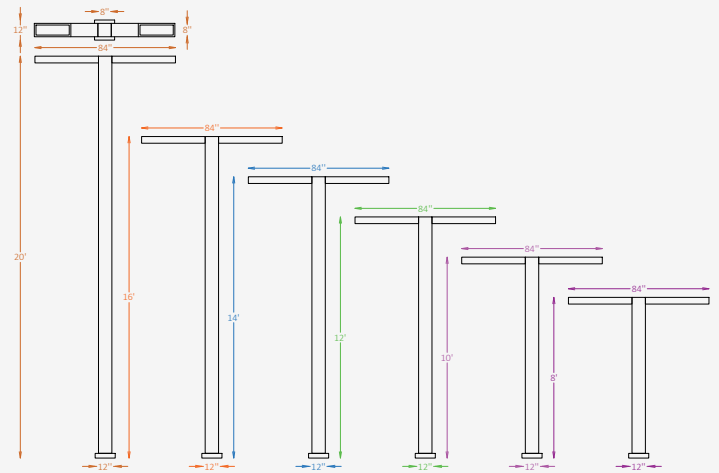


## GENERAL INFORMATION

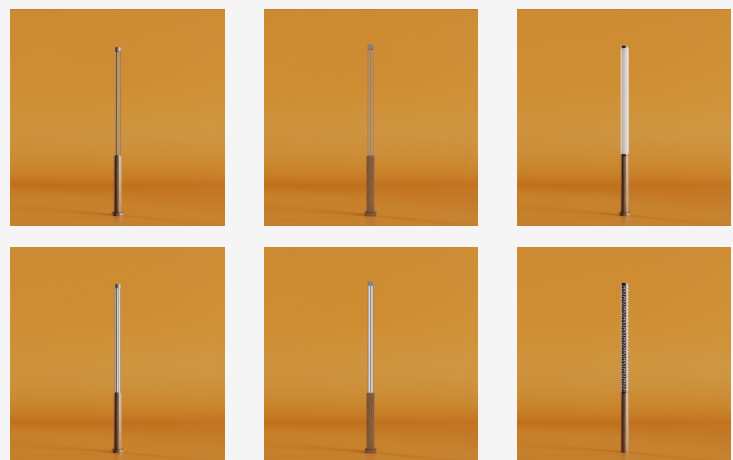
LINTEL DUAL C is an architectural outdoor lighting column with a clean dual-arm design that provides balanced illumination across wider exterior areas. Its slender vertical profile and symmetrical light arms create a refined contemporary presence for pathways, plazas, and commercial landscapes. Constructed from extruded aluminum and PMMA, the fixture is available in multiple heights, outputs, and distribution patterns. LINTEL DUAL C combines durability, performance, and design flexibility for modern outdoor environments.

## SPECIFICATIONS

<b>Material</b>	Extruded Aluminum + PMMA
<b>Lens</b>	Frosted, Acrylic
<b>Pole Profile</b>	8" x 8"
<b>Arm Projection</b>	84" x 8
<b>Overall Height</b>	8' / 10' / 12' / 14' / 16' / 20'
<b>Light Source Type</b>	LED
<b>Power</b>	2 x 35W / 2 x 45W / 2 x 60W / 2 x 80W / 2 x 100W
<b>Input Voltage</b>	110-277V, 50-60 Hz
<b>LED Output</b>	120 lm/W
<b>CCT</b>	2200K / 3000K / 3500K / 4000K / 5000K
<b>CRI</b>	90
<b>Dimming &amp; Driver</b>	Integral, 0-10V
<b>Light Distribution</b>	Type I / Type II / Type III / Type IV / Type V
<b>IP Rating</b>	IP 65
<b>Warranty</b>	5 years
<b>Finishes</b>	16 standard finishes 8 wood-effect finishes 12 metallic finishes Custom on request*
<b>Operating Temp.</b>	-40°C to +50°C (-40°F to +122°F)



## OTHER VERSIONS AVAILABLE



## CERTIFICATION



## Ordering Information

Select one item from each category below. If your desired option is unavailable, please contact our team for support or custom solutions.

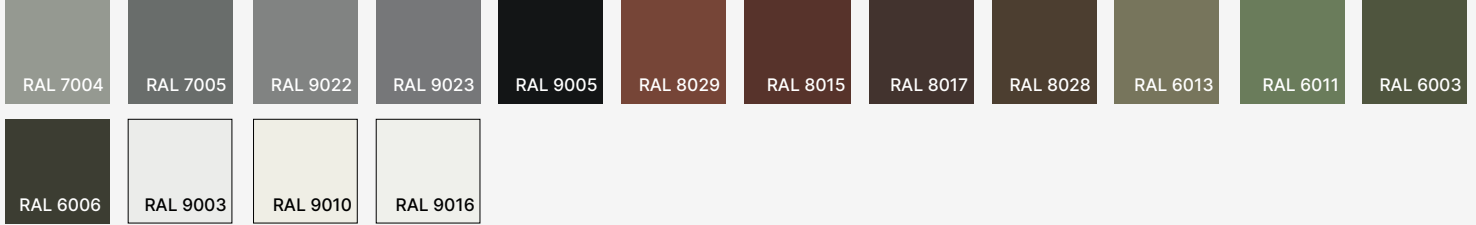
Code	Pole Profile	Overall Height	Material
<input checked="" type="checkbox"/> <b>LNTD-C</b> Column	<input type="checkbox"/> <b>8</b> 8" x 8" <input type="checkbox"/> <b>CUS</b> Custom on request	<input type="checkbox"/> <b>8</b> 8' <input type="checkbox"/> <b>14</b> 14' <input type="checkbox"/> <b>10</b> 10' <input type="checkbox"/> <b>16</b> 16' <input type="checkbox"/> <b>12</b> 12' <input type="checkbox"/> <b>20</b> 20' <input type="checkbox"/> <b>CUS</b> Custom on request	<input checked="" type="checkbox"/> <b>AL</b> Extruded Aluminum + PMMA
CCT	Wattage / Lumens	Light Distribution	Dimming
<input type="checkbox"/> <b>22</b> 2200K	<input type="checkbox"/> <b>35</b> 2 x 35W / 2 x 4200 lm	<input type="checkbox"/> <b>LD1</b> Type I	<input type="checkbox"/> <b>NN</b> Non-Dimmable
<input type="checkbox"/> <b>30</b> 3000K	<input type="checkbox"/> <b>45</b> 2 x 45W / 2 x 5400 lm	<input type="checkbox"/> <b>LD2</b> Type II	<input type="checkbox"/> <b>DM</b> 0-10V
<input type="checkbox"/> <b>35</b> 3500K	<input type="checkbox"/> <b>60</b> 2 x 60W / 2 x 7200 lm	<input type="checkbox"/> <b>LD3</b> Type III	
<input type="checkbox"/> <b>40</b> 4000K	<input type="checkbox"/> <b>80</b> 2 x 80W / 2 x 9600 lm	<input type="checkbox"/> <b>LD4</b> Type IV	
<input type="checkbox"/> <b>50</b> 5000K	<input type="checkbox"/> <b>100</b> 2 x 100W / 2 x 12,000 lm	<input type="checkbox"/> <b>LD5</b> Type V	
<input type="checkbox"/> <b>CUS</b> Custom on request	<input type="checkbox"/> <b>CUS</b> Custom on request		
Accent Insert Finish Option	Body Finish Option	Mounting	Finish Type
<input type="checkbox"/> <b>ST</b> Standard	<input type="checkbox"/> <b>ST</b> Standard	<input checked="" type="checkbox"/> <b>AB</b> Anchored Base	<input type="checkbox"/> <b>GL</b> Glossy
<input type="checkbox"/> <b>WE</b> Wood effect	<input type="checkbox"/> <b>WE</b> Wood effect		<input type="checkbox"/> <b>MT</b> Matte
<input type="checkbox"/> <b>MC</b> Metallic	<input type="checkbox"/> <b>MC</b> Metallic		
<input type="checkbox"/> <b>CUS</b> Custom on request	<input type="checkbox"/> <b>CUS</b> Custom on request		

Project

Notes

# Finishes

## Standard finishes



## Wood-effect finishes



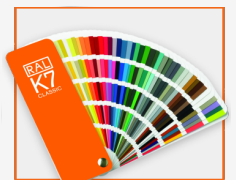
## Metallic finishes



**RAL K7 CLASSIC COLORS (80-95% GLOSS): RAL\_ \_ \_ \_**

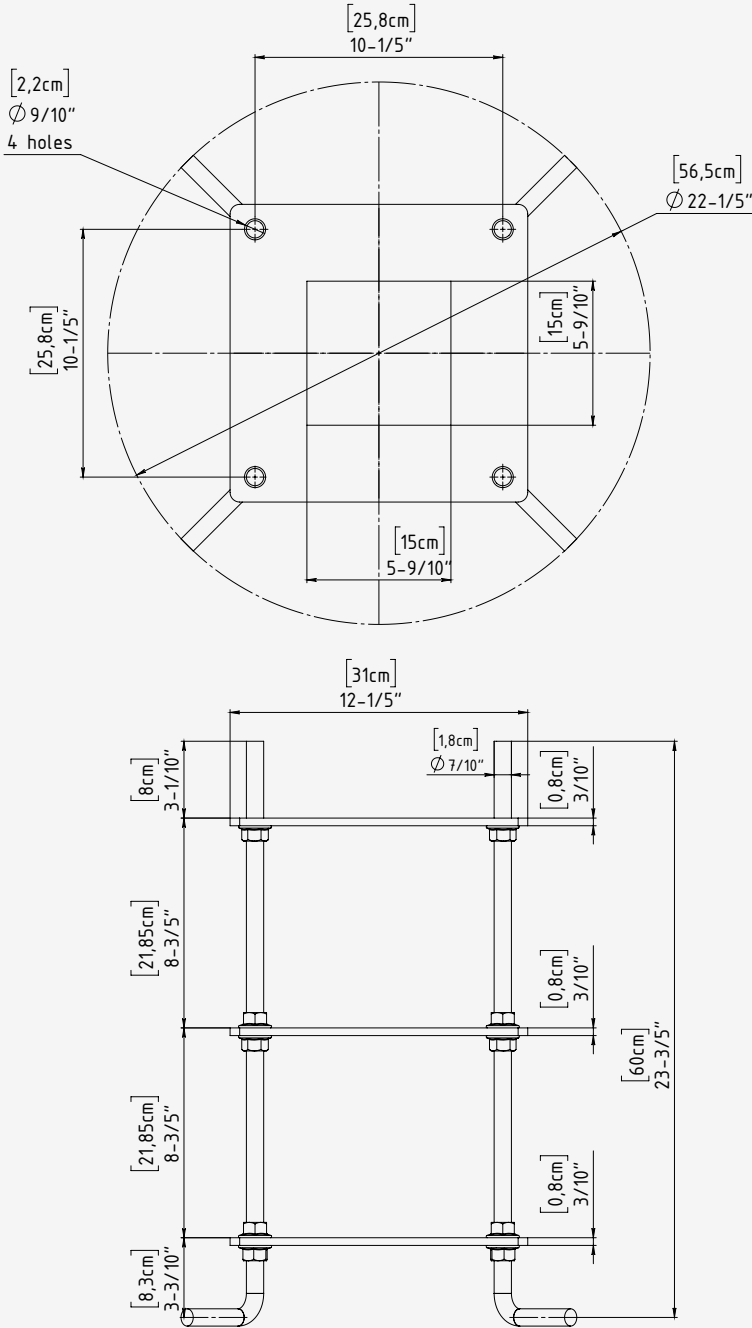
All RAL Classic colors are available with no setup fee.

On your specification submittal, choose your RAL color by entering the 4-digit RAL code (e.g., RAL 3003).



# Bolt Patterns

for Anchored Base Installation



<b>Mounting Type</b>	Anchored Base
<b>Base Plate Material</b>	Stainless Steel
<b>Bolt Mounting Circle</b>	Ø: 4-7/10"
<b>Number of Anchor Kit</b>	4 equally holes (90° apart)
<b>Anchor Kit Size</b>	3/8"-16 x 10" L-Hook concrete anchor bolt

## Installation Notes:

- Pour Concrete Footer and Set Anchors
- Prepare the concrete footer formwork. ( The footer size should be determined by local frost depth and soil conditions.
- Recommended minimum size: 12" diameter × 20" depth.) Before pouring, assemble the galvanized steel L-bolt anchors with the included steel mounting plate.
- Position the assembly inside the formwork.
- As concrete is poured, insert the anchor assembly into the wet concrete using the mounting plate to ensure correct positioning and alignment.
- Allow clearance through the center opening for electrical wiring, and ensure future access to bolt heads if they will be concealed.
- Ensure all anchors are properly aligned and fully embedded. Allow the concrete to cure completely before proceeding.